

# Installation and Maintenance Instructions

## 1C AZ Individual Built-In Wall Shower with Concealed Supplies

### 1C AZ Shower Overview



**IMPORTANT:** Installation not in accordance with these instructions will void warranty (see page 6 for warranty).

#### ACCU-ZONE@ activation

The 1C AZ Shower controls water flow with ACCU-ZONE@ patented infrared technology which electronically opens and closes a solenoid valve. Two zone-focused infrared transmitting beams create a large detection area to easily activate the shower. The 1C AZ shower is activated when the shower user's hand passes in front of the ACCU-ZONE@' sensor. A wave of a hand in front of the sensor activates the shower for approximately 35 seconds.

#### Components

- **Supply Inlet:** The supply inlet to solenoid valve is 1/2".
- **Solenoid Valve:** Solenoid valves are virtually unaffected by the chemicals and minerals often present in municipal water supplies. Solenoids also have few moving parts making them less prone to mechanical failure.
- **ACCU-ZONE@ Sensor and Wall Plate Assembly**

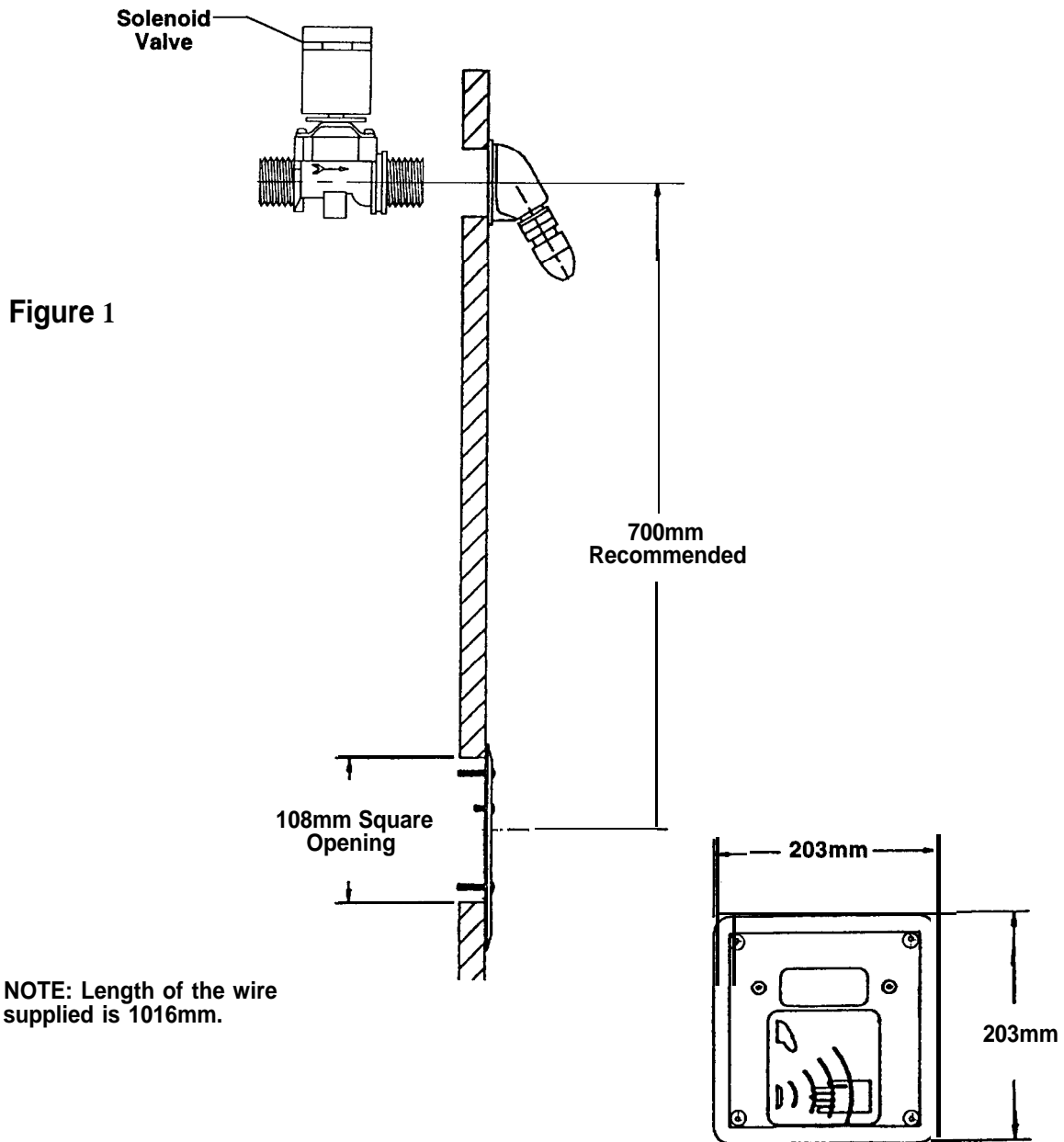
#### Supplies required

- 1/2" tempered water supply piping and fittings
- 1/2" piping
- Teflon tape or teflon pipe dope
- 230 VAC power source for 24 VAC double insulated transformer
- 230/24 VAC double insulated transformer (available from Bradley as an option)
- Showerhead

## Installation Instructions

### Step 1: Rough-In supply and install shower

1. Rough-in tempered water supply piping to the solenoid valve as required for your installation (see Figure 1 for shower dimensions).
2. Rough-in wall openings for the showerhead and AZ panel assembly as required for your installation (see Figure 1).
3. Continue to **Step 2: Make Electrical Connections** on page 3.



## Installation Instructions *continued...*

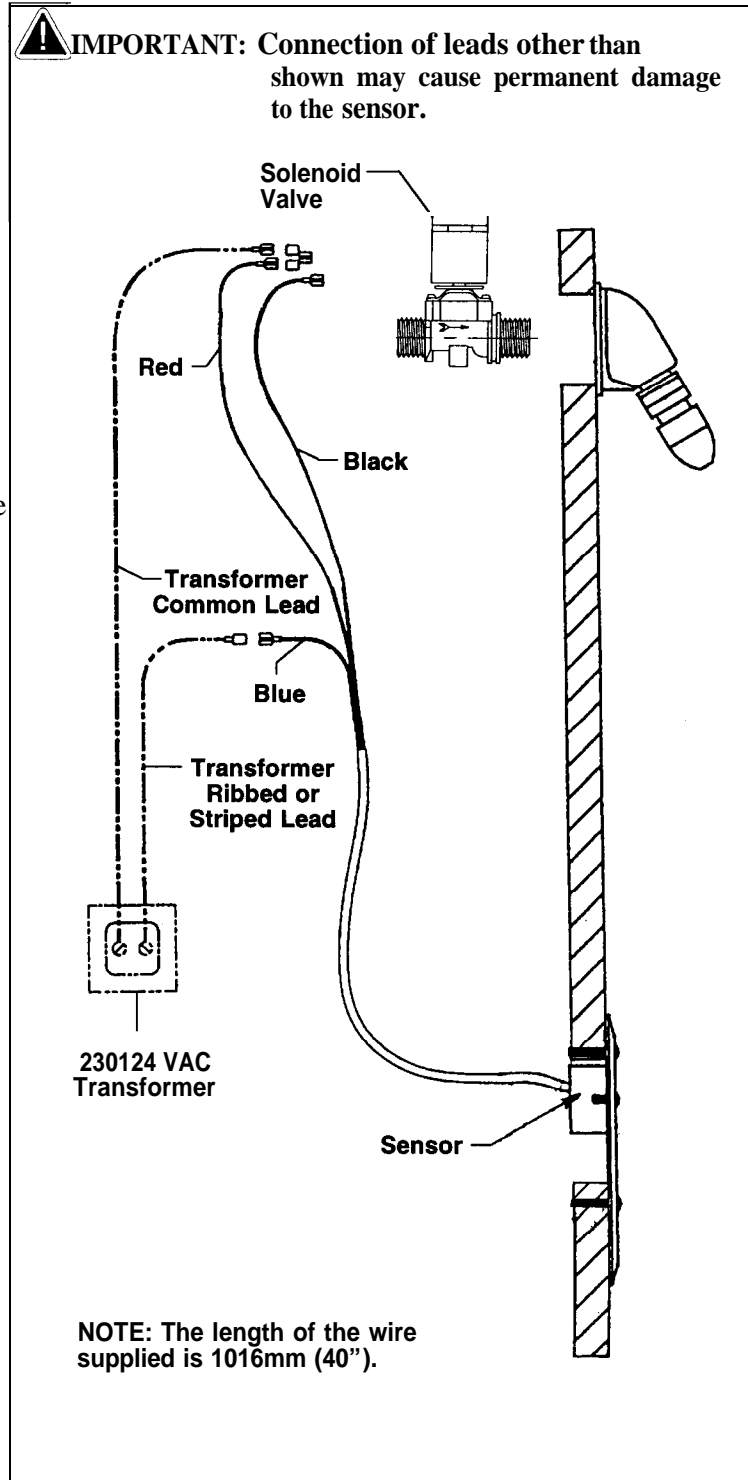


**IMPORTANT:** The 1C AZ Shower must be connected with a 24 VAC transformer. Connection to any other voltage will result in damage to the sensor and may result in personal injury.

### Step 2: Make electrical connections

1. Install a 24 VAC double insulated transformer in a remote location a safe distance from the shower room. DO NOT put the 24 VAC transformer in the shower room. **Check local codes and ordinances for proper location and connection requirements. Conformity to local codes is the responsibility of the installer.**
2. Connect the wires between the sensor and solenoid valve shown in Figure 2.
3. Verify that the electrical source to fixture is 24 VAC
4. With the power source turned off, connect the transformer wires to the back of the sensor and to the solenoid valve as shown in Figure 2. Use **electrical connectors which conform to local codes. Conformity to local codes is the responsibility of the installer.**  
*NOTE: If additional wire is needed, use 18 gauge two conductor lamp cord (supplied by installer) per local code.*
5. **DO NOT** turn 24 VAC power on to your shower until installation is complete.
6. Continue to **Step 3: Complete Installation** on page 4.

Figure 2



## Installation Instructions *continued...*

### Step 3: Complete installation

1. Secure the showerhead to the wall.
2. Secure the ACCU-ZONE@ sensor panel to the wall using stainless steel screws or with adequate anchors (supplied by installer).
3. Turn on the water supply to your 1C AZ shower and check for leaking.
4. Turn on the 24 VAC power to shower and pass your hand in front of the sensor several times to purge air from lines.

## Troubleshooting the Solenoid

### Test the solenoid

If the 1C AZ shower fails to activate, test the solenoid for proper operation. Access the solenoid, then have another person activate the system by passing his hand in front of the sensor. When activated, the solenoid should click, then buzz and vibrate if it is operational.

If the solenoid is not operational, check to make sure the wiring configuration is correct according to the procedure under **Step 2: Make Electrical Connections** on page 3.

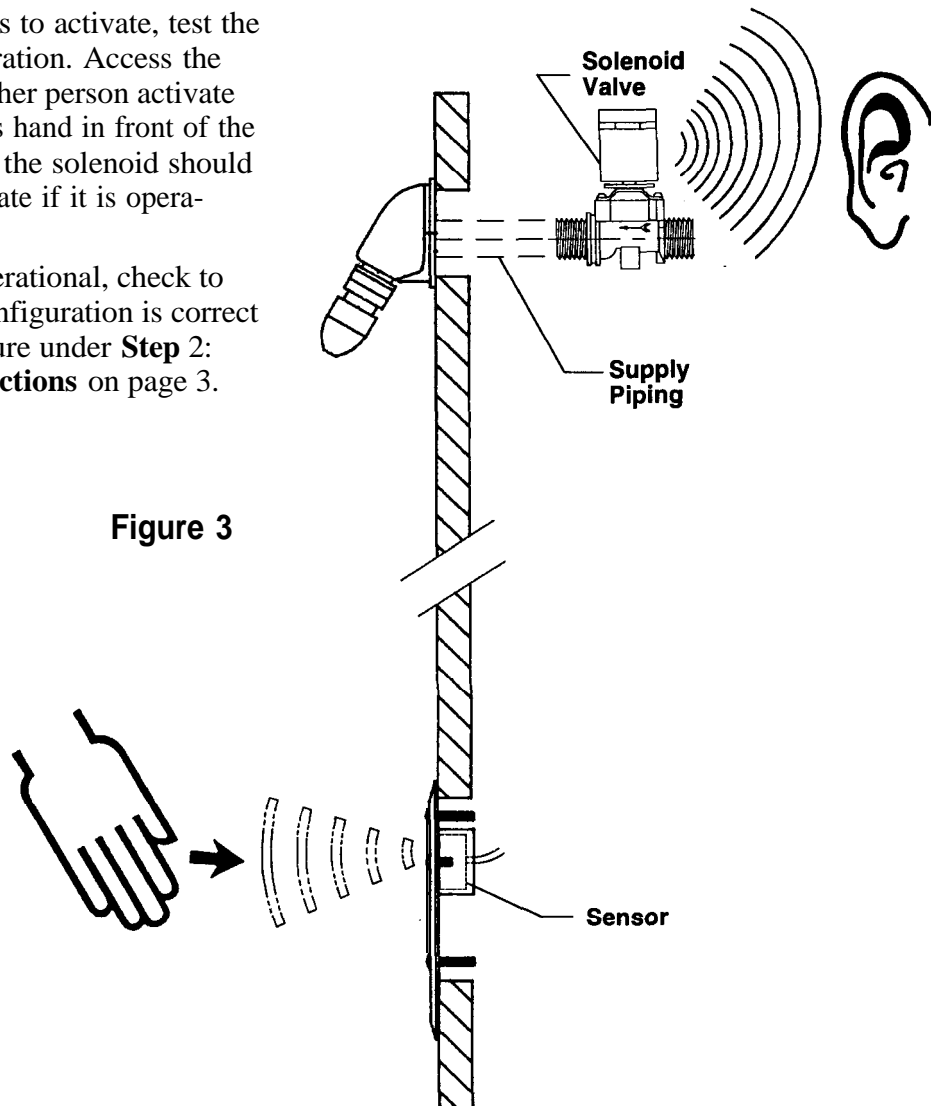
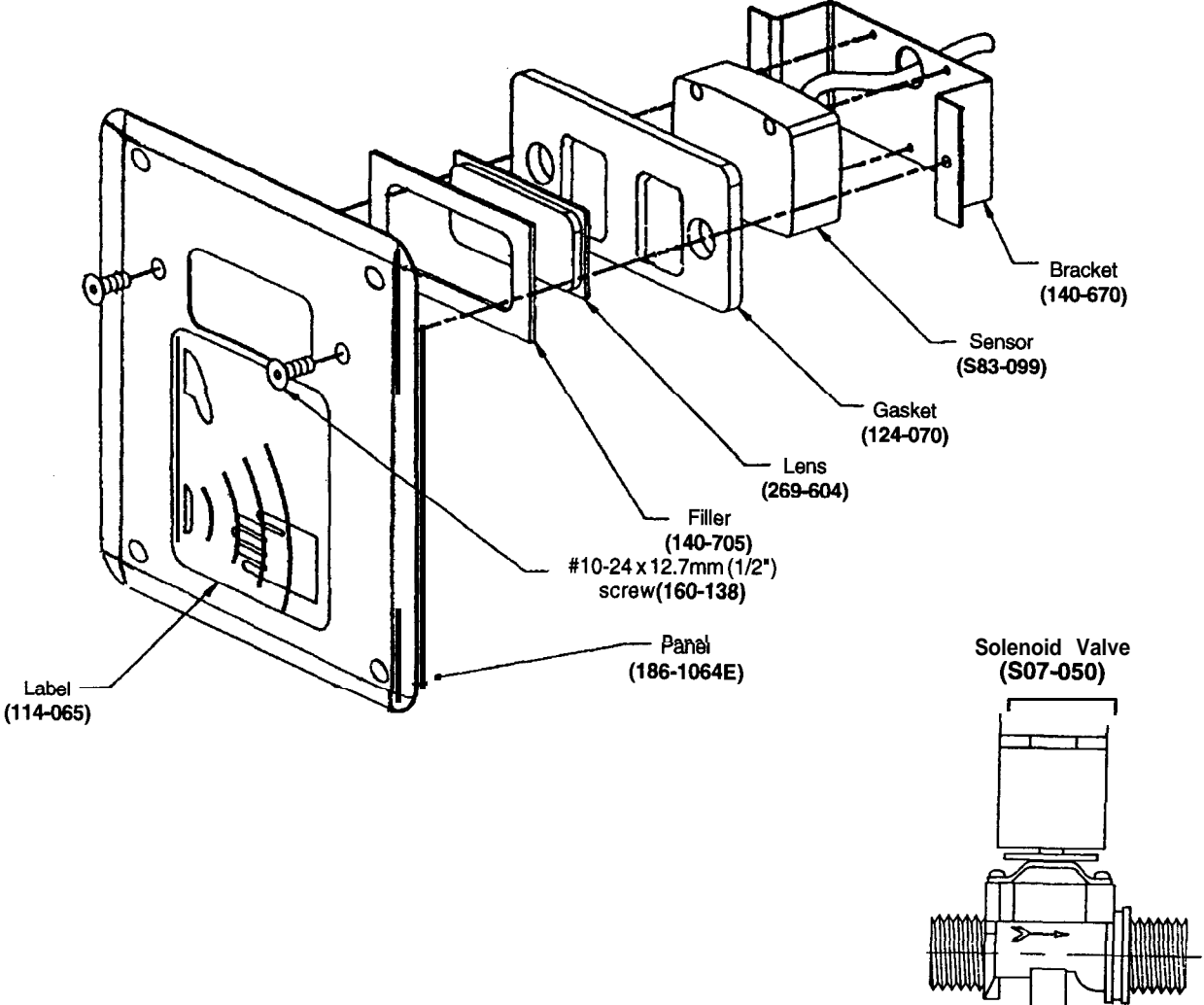


Figure 3

### 1C AZ Repair Parts



## Care and Cleaning of Stainless Steel

### Overview

Periodic and frequent cleaning will greatly prolong the service life of stainless steel equipment and, at the same time, maintain a bright surface of pleasing appearance. The amount and frequency of cleaning depends on service conditions involved.

### Follow these suggestions:

1. **CLEANLINESS IS OF UTMOST IMPORTANCE:** Ordinary deposits of dirt and grease are quickly removed with soap and water. Whenever possible, the metal should be thoroughly rinsed and dried after washing. To get rid of tightly adhering deposits, use stainless steel polishing powder. In all cases, rubbing should be in the direction of polishing lines.



**IMPORTANT:** Never use ordinary steel wool or steel brushes on stainless steel. Always use stainless steel wool or stainless steel brushes.

2. **DO NOT PERMIT SALTY SOLUTIONS TO EVAPORATE** and dry on stainless steel.
3. **RUST:** Sometimes the appearance of rust streaks on stainless steel leads to the belief that the stainless steel is rusting. Look for the source of the rust in some iron or steel not actually a part of the stainless steel structure. A steel nail or screw may cause the trouble. *NOTE: Strong acidic or caustic cleaners may attack the steel causing a reddish film to appear. The use of these cleaners should be avoided.*

### Showerhead Cleaning

If the showerhead delivers an uneven spray, remove the showerhead from the unit, disassemble, and remove foreign matter. Then reassemble showerhead and reinstall into unit.

#### 1 C AZ Shower Warranty Information

Bradley Corporation warrants to commercial and institutional purchasers only each unit free from defects in material and workmanship under normal use and service upon the following terms and conditions:

1. This warranty is limited to replacing or repairing, at our option, transportation charges prepaid by the purchaser, any Bradley unit or part thereof which our inspection shall show to have been defective within the limitations of this warranty.
2. The period during which 1 C AZ shower components are warranted is one (1) year, measured from the date of our invoice.
3. This warranty does not cover installation or any other labor charges and does not apply to any units which have been damaged by accident, abuse, improper installation, or improper maintenance.
4. The replacement or repair of defective units as stated in this warranty shall constitute the sole remedy of the purchaser and the sole liability of Bradley corporation under this warranty. Bradley corporation shall not otherwise be liable under any circumstances for incidental, consequential, or indirect damages caused by defects in the repair or replacement thereof.
5. This warranty extends only to commercial and institutional purchaser and does not extend to any others, including consumer customers or commercial and institutional purchasers.
6. This warranty is in lieu of all other warranties, express or implied, including any implied warranty of merchantability or fitness for a particular purpose or otherwise.