

Installation Instructions

Bradley Dynamix™ Pressure-Balancing Shower System

Models DX1-1, DX1-6



Table of Contents

Shower Valve Installation	2-4
Setting Hot Limit Stop	4
Back-to-back Installation	5
Replacing Cartridge	5
Service Parts	6
Shower Warranty	6



WARNING:

Hot limit stop is set in the maximum temperature position. Failure to adjust the limit stop properly may result in serious scalding.

This valve may not protect the user from scalding when there is a failure of other temperature-controlling devices elsewhere in the plumbing system.

Excessive heat to the valve may cause damage to internal parts.

Check the local codes and ordinances in your area for proper location and connection requirements. Conformity to local codes is the responsibility of the installer.

Read and save this installation manual, which contains maintenance and repair information, for future reference.



P.O. Box 309, Menomonee Falls, WI 53052-0309
Phone 414-251-6000 FAX 414-251-5817
<http://www.bradleycorp.com>

Pre-Installation Information

Supplies recommended for installation:

- Copper tubing and fittings
- Regular and Phillips screw drivers
- 1/2" copper plug (For non-Tub Spout applications)

Installation Instructions

NOTE: Flush the supply lines before making connections.

1. Rough in for valve as required. (See Figures 1 thru 4 for proper installation configuration).
2. Rough valve body into wall, connecting piping to 1/2" female copper sockets or 1/2" male NPT. nipples (See Figure 5).



IMPORTANT: Note "UP" and "DOWN" markings on back of valve.

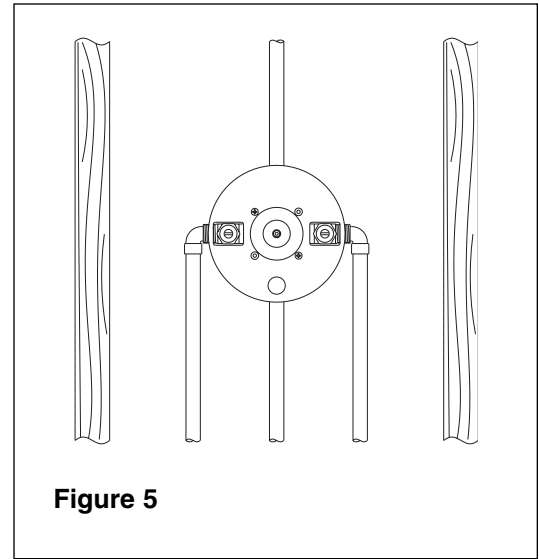
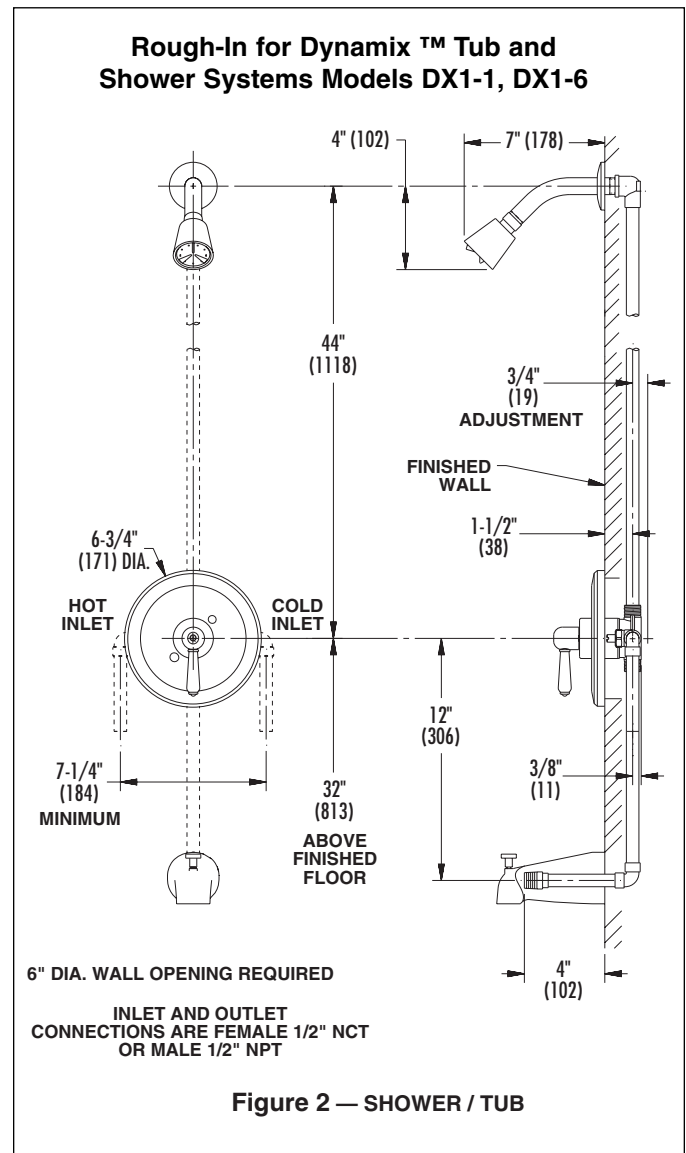
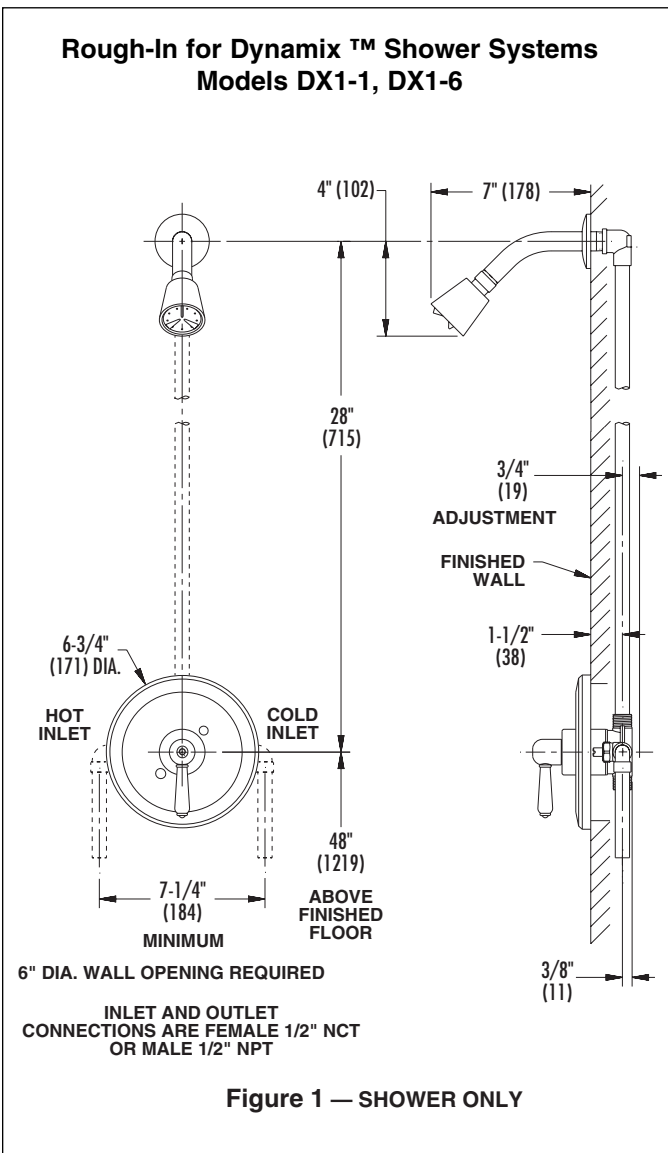
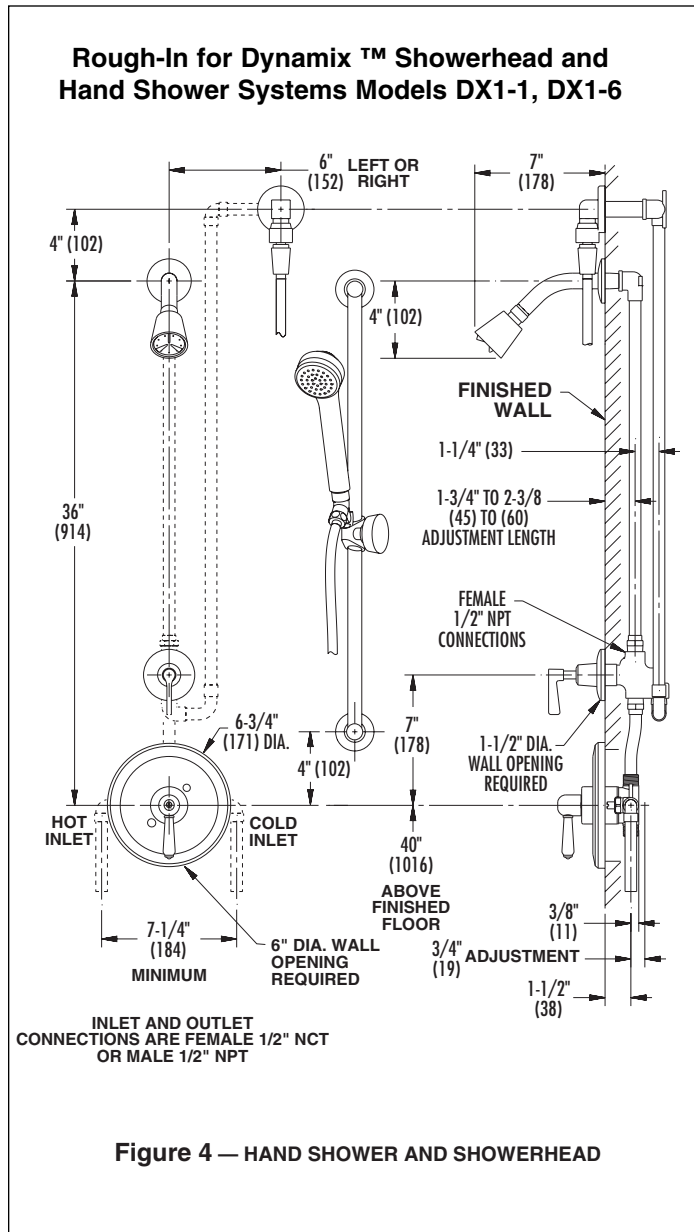
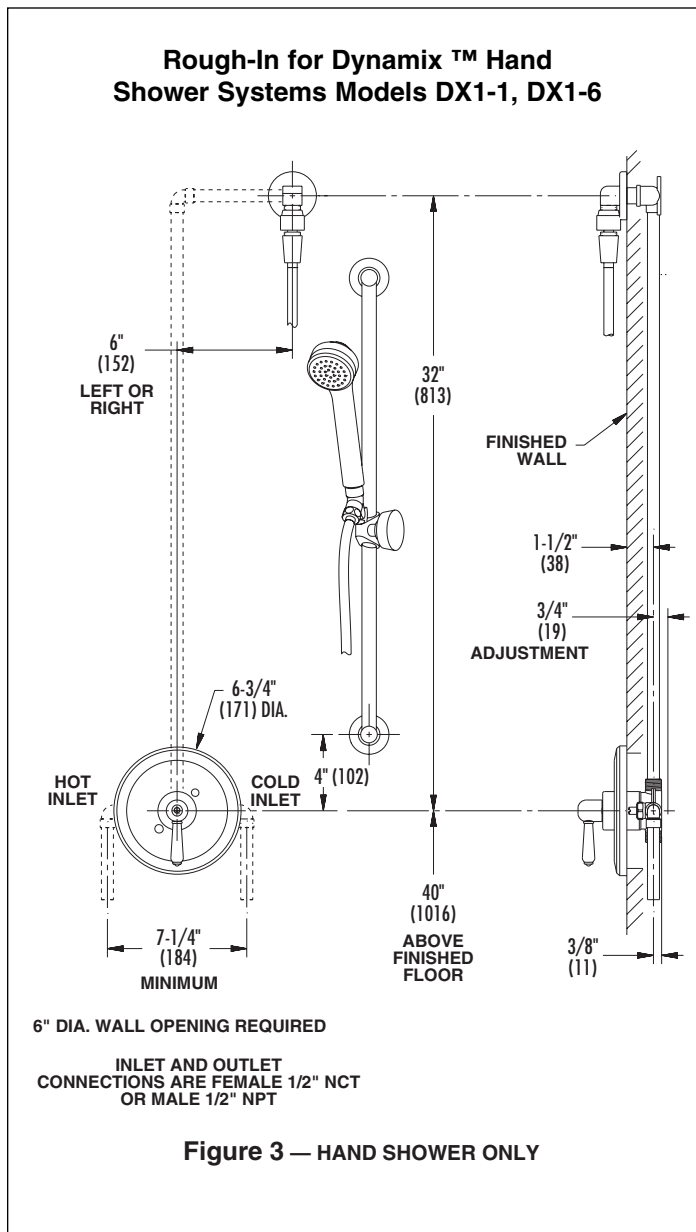


Figure 5



Installation Instructions.....Continued



Installation Instructions.....Continued

3. The depth of rough-in should account for thickness of wall materials to be used (Combined thickness of wall board and finished wall material). Face of guard should be positioned to be flush with finished wall surface (See Figure 6).
4. Anchor installation to bracing between studs. Ears on the valve body can be used for this by removing the plastic guard, otherwise, anchor the connection piping.
5. Pressurize valve and test for leaks at the connections.
6. Plastic guard should be left attached to valve until finished wall material is installed.
7. After wall is finished, remove plastic guard and replace with chrome sleeve and escutcheon plate (See Figure 7). Orient handle so that lever is pointed down toward "OFF" position.

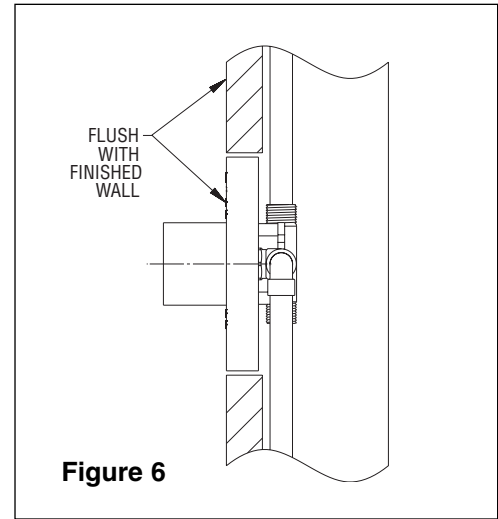


Figure 6

Setting Hot Limit Stop

The maximum degree of hot water attainable can be limited by adjusting the ring at the top of the valve cartridge. This is done by repositioning the ring onto its mating spline.

*NOTE: Water supplies do **not** have to be turned off to make this adjustment.*

1. Expose the top of the cartridge by removing the trim sleeve from the valve body. Do **not** remove the hex nut holding the cartridge in place.
2. Remove the grey adjustment ring by placing the blade of a knife into the groove and prying it off (See Figure 8).
3. Note the stop tab on the bottom of the ring (See Figure 9). The further it is reoriented in a counter-clockwise direction, the shorter the travel allowed (and thus, the lower the temperature output possible).

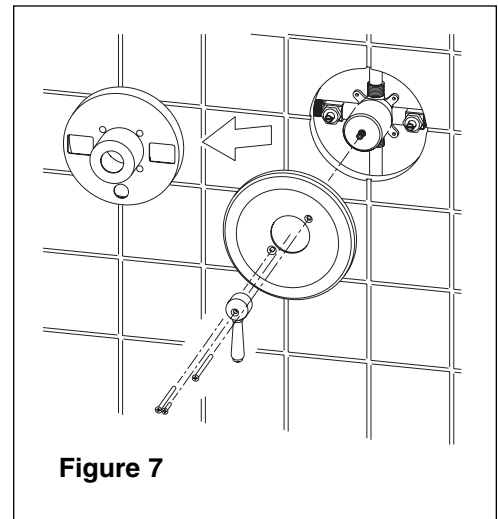


Figure 7

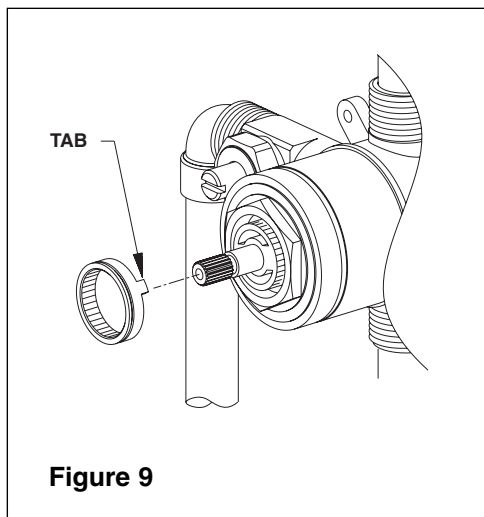


Figure 9

IMPORTANT:



Before re-orienting the ring, be sure the stem is in the full off position.

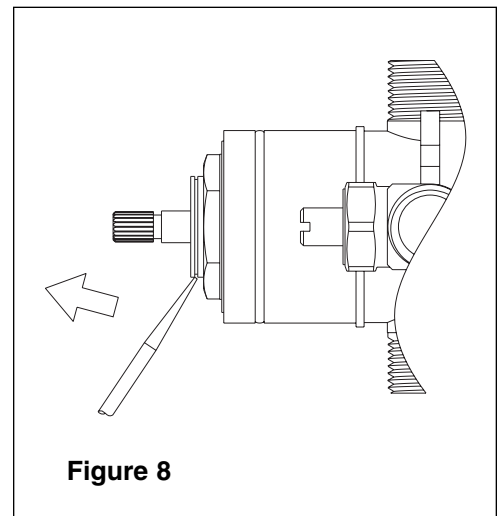


Figure 8

Installation Instructions.....Continued

Reversing Cartridge for Back-to-Back Installations Only

When a valve is installed with reversed supply connections (Typically in a back-to-back situation), the cartridge can be reversed to allow normal operation (See Figures 10 and 11).

1. Remove trim and sleeve to expose top of valve.
2. Turn off water supply to valve by closing both check stops.
3. Loosen and remove hex nut above cartridge.
4. Remove cartridge from valve cavity.
5. Look into cavity to see upper and lower locating holes for cartridge pin on the floor of the cavity.
6. Re-insert cartridge, aligning the pin with lower locating hole (Partially cut away by discharge opening).
7. Press cartridge in firmly to assure that pin has been properly inserted.
8. Secure cartridge by tightly reassembling the hex nut.
9. Turn on water supply by opening both check stops.
10. Reassemble trim and sleeve.

Replacing Cartridge

Same basic procedure as above (Reverse if necessary).

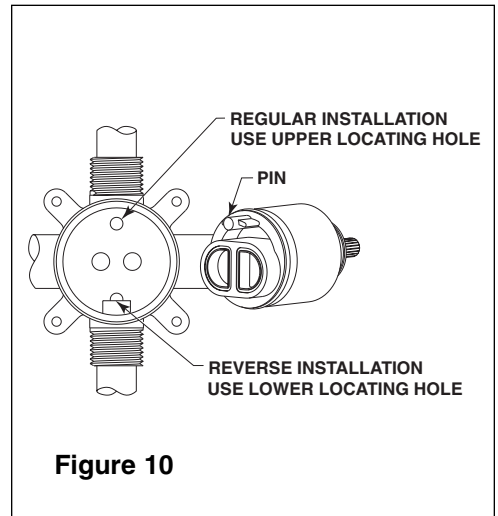


Figure 10

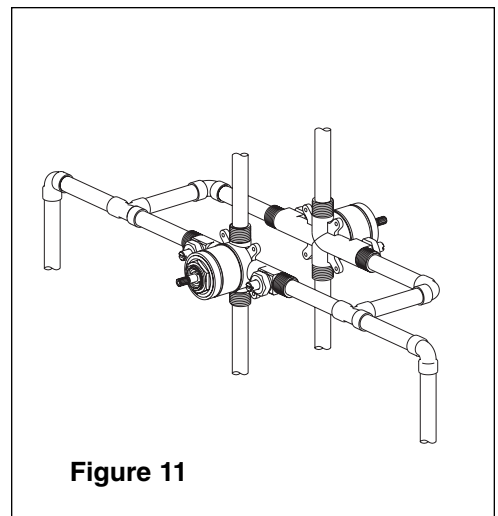
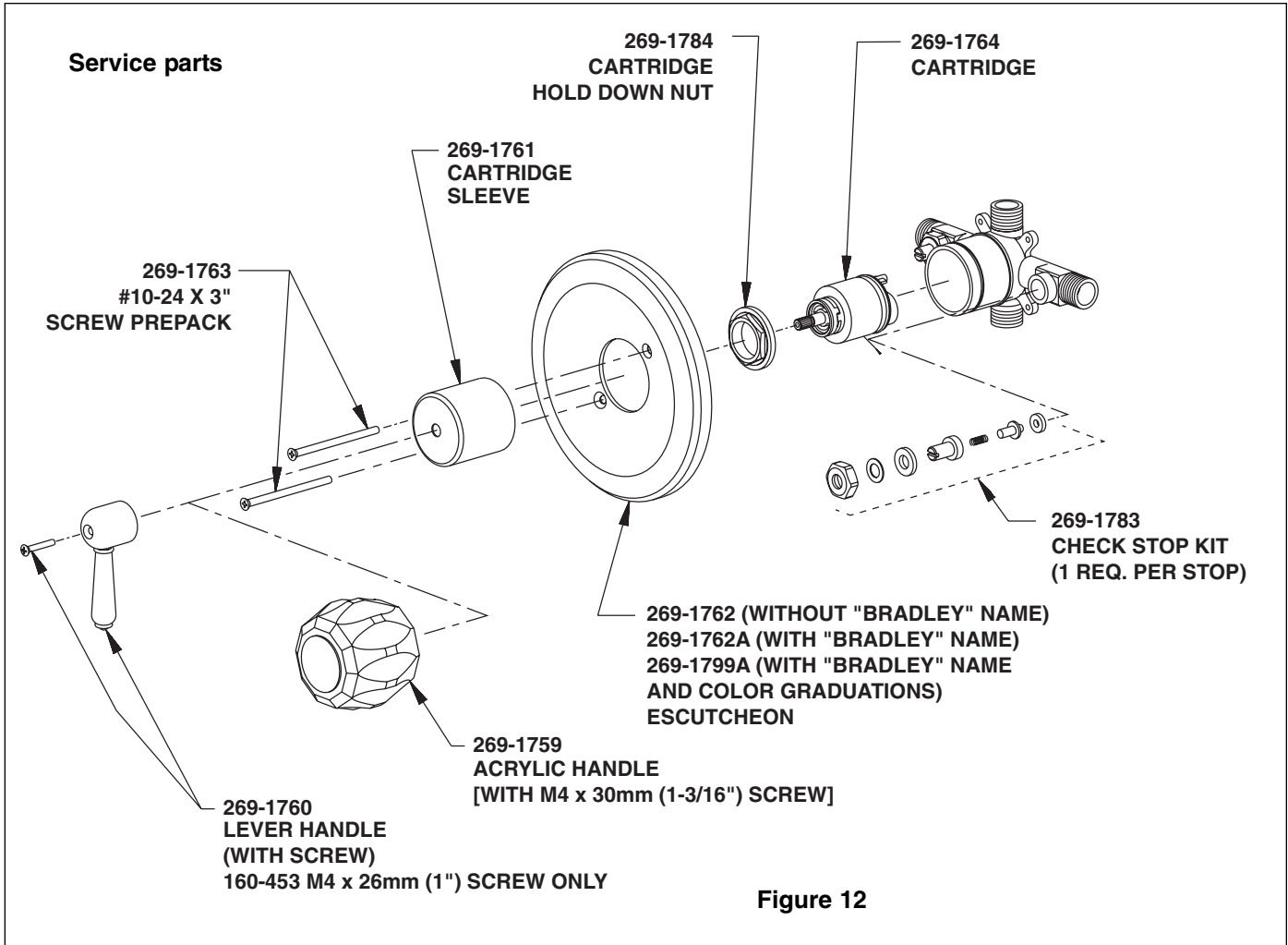


Figure 11

Installation Instructions.....Continued



Bradley Shower Warranty Information
Product warranties may be found under "Product Information" on our website at www.bradleycorp.com