

Shower Accessories

ACCU-ZONE Infrared Control

- Reliable Infrared Activation
- Dependable Solenoid Valve
- Vandal Resistant
- Electronically Controlled Timing Cycle

Operation

ACCU-ZONE equipped wall showers control water flow at the sprayhead using sensor modules, with patented infrared technology, to electronically open and close solenoid valve. All electronic components in the shower are powered by one low voltage transformer, 24V AC, 50/60 Hz.

The ACCU-ZONE sensor module uses two zone-focused infrared transmitting beams to create a detection area within a range of 6-9 inches from the sensor. Once the user activates the sensor, shower cycle time is approximately 45 seconds.

Vandal Resistant

The ACCU-ZONE sensor modules are enclosed within a stainless housing. Each sensor is hermetically sealed and secured behind a polycarbonate shield to protect it from water, soap, dirt and attack by vandals. The ACCU-ZONE sensor will automatically shut off water flow after 30-45 seconds if a vandal attempts to trigger constant operation by covering the sensor or the sensor of placing a stationary object in the sensor's detection zone.

Standard Equipment Specifications: ACCU-ZONE

Infrared Sensor

The ACCU-ZONE sensor module uses two zone-focused infrared transmitting beams, with each beam creating a detection area in front of the shower. The detection range projects 6-9 inches forward at a 30° angle to each side and reaches 15° below horizontal. The ACCUZONE sensor accurately detects motion anywhere within this sensitivity range. The ACCU-ZONE infrared sensor is not affected by varying color tones or darkness. Direct sunlight or bright washroom lights (up to 10,000 foot candles) will not activate the system.

Solenoid

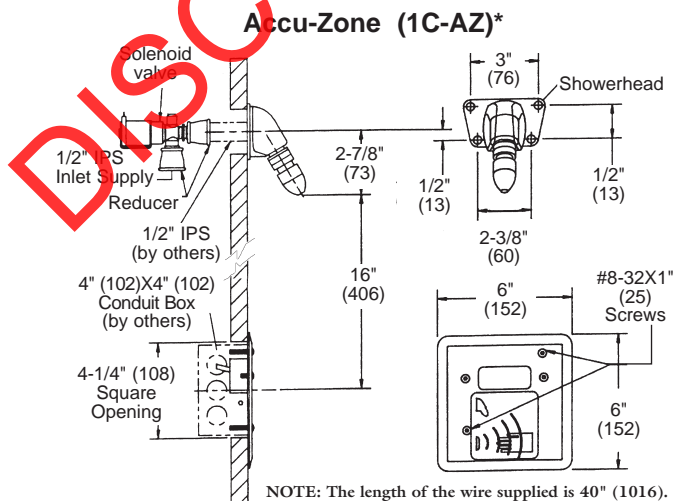
24V, 50/60 Hz. The electrically activated solenoid valve provides reliable performance since there are few moving parts and its operation is unaffected by most chemicals and minerals often present in municipal water supplies. Neither the solenoid valve nor the infrared sensor module need adjustment for range or timing.

Flow Rate

Operating range 20-100 PSI.

Low Voltage Transformer

UL/CSA-listed transformer, 120/24 VAC, powers the solenoid valves. The transformer, furnished optionally by Bradley, plugs into 110V outlet. Location of transformer per local electrical code.



*Note: Requires plumbing chase or remote access.