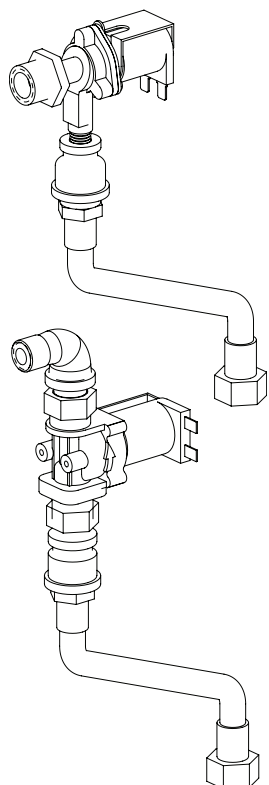


Installation

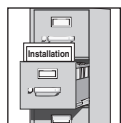
Showers with Accu-Zone® and TouchTime® Valves

Table of Contents

Pre-Installation Information and Rough-in	2
Electrical Connections and Installation	3
Cleaning and Maintenance	4



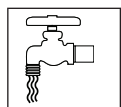
IMPORTANT!



Read this entire installation manual to ensure proper installation. When finished with the installation, file this manual with the owner or maintenance department. Compliance and conformity to local codes and ordinances is the responsibility of the installer.



Separate parts from packaging and make sure all parts are accounted for before discarding packaging material. If any parts are missing, do not begin installation until you obtain the missing parts.



Make sure that all water supply lines have been completely turned off before beginning installation.



Product warranties may be found under "Products" on our website at www.bradleycorp.com.



1a Accu-Zone Electrical Connections

✓ Solenoid will require access from plumbing chase or access panel.

CAUTION DO NOT put the 24 VAC Class II transformer in the shower room. Check local codes and ordinances for proper location and connection requirements. Conformity to local codes is the responsibility of the installer.

CAUTION DO NOT turn 24 VAC power on to your shower until installation is complete.

CAUTION Shower must be connected with a 24VAC Class II transformer (supplied by installer, available from Bradley). Connection to 110VAC will result in damage to the sensor and could result in personal injury.

NOTICE Connection of leads other than shown in figure below may cause permanent damage to the sensor.

A Install a 24 VAC Class II transformer in a remote location a safe distance from the shower room. Connect the wires between the sensor and solenoid valve.

✓ If additional wire is needed, use 18-gauge two-conductor lamp cord (supplied by installer) per local code.

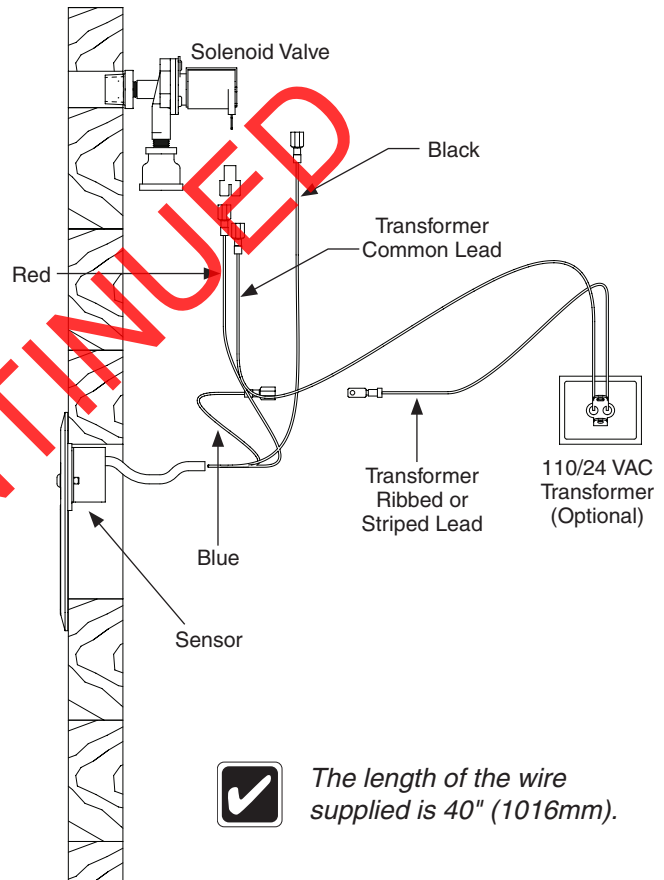
✓ Use electrical connectors per local codes.

✓ Verify that the electrical source to fixture is 24VAC.

B With the power source turned off, connect the transformer wires to the back of the sensor and to the solenoid valve as shown.

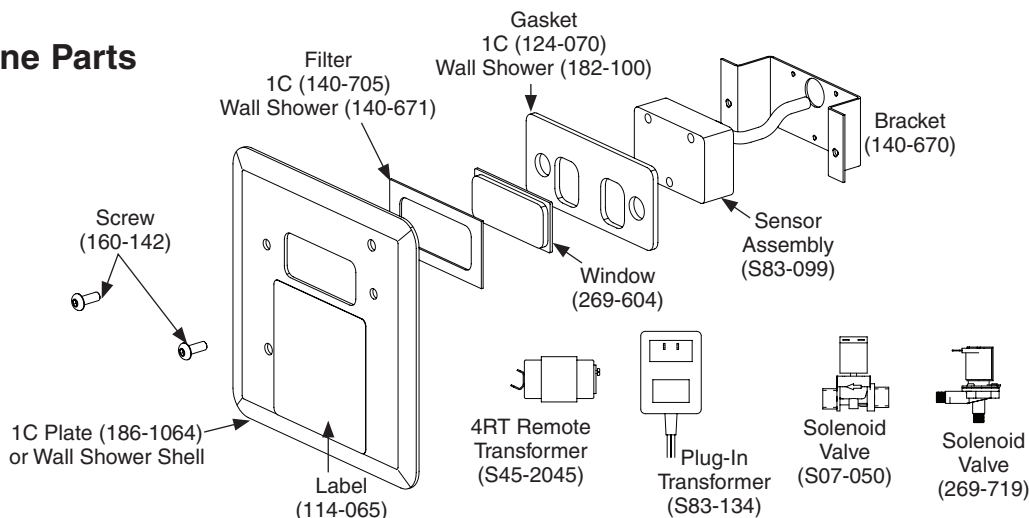
CAUTION Do not turn 24VAC power on to shower until installation is complete.

C When installation is complete, turn on 24VAC power to shower. Test to make sure water is flowing properly.



✓ The length of the wire supplied is 40" (1016mm).

Accu-Zone Parts



1b TouchTime® Electrical Connections

✓ Solenoid will require access from plumbing chase or access panel.

CAUTION DO NOT put the 24 VAC Class II transformer in the shower room. Check local codes and ordinances for proper location and connection requirements. Conformity to local codes is the responsibility of the installer.

CAUTION DO NOT turn 24 VAC power on to your shower until installation is complete.

CAUTION Shower must be connected with a 24VAC Class II transformer (supplied by installer, available from Bradley). Connection to 110VAC will result in damage to the sensor and could result in personal injury.

NOTICE Connection of leads other than shown in figure below may cause permanent damage to the sensor.

A Install a 24 VAC Class II transformer in a remote location a safe distance from the shower room. Connect the wire designated 24VAC to transformer.

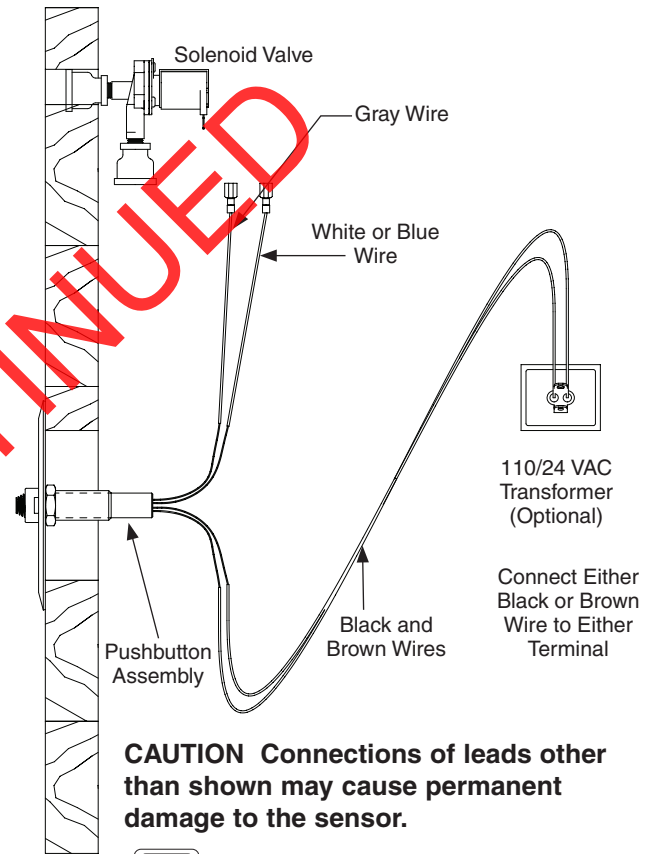
✓ The wires can be connected to the solenoid in any order.

B Connect the gray and white/blue wires to the solenoid valve connectors.

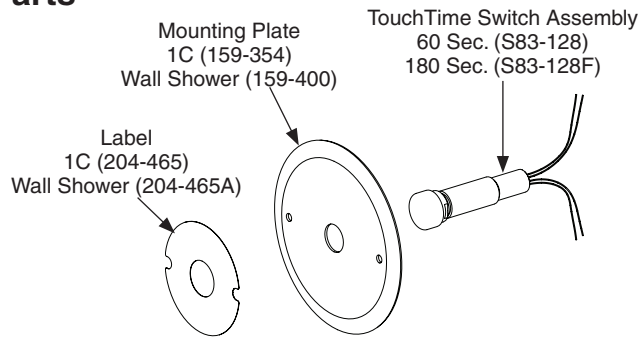
✓ Verify that the electrical source to fixture is 24VAC.

CAUTION Do not turn 24VAC power on to shower until installation is complete.

C When installation is complete, turn on 24VAC power to shower. Test to make sure water is flowing properly.



TouchTime Parts



✓ Length of the wire supplied is 60".

