

Air Metering Valve



- Timing from 5- 45 seconds
- Reliable metering performance
- Easily accessible for service
- ADA compliant

Specifications

Materials

Valve body is of forged brass. Push button is chrome-plated brass. Supply piping from valve to showerhead is plastic tubing. Timer is nickel-plated to avoid corrosion.

Construction

Push button turns freely and cannot be removed from the front.

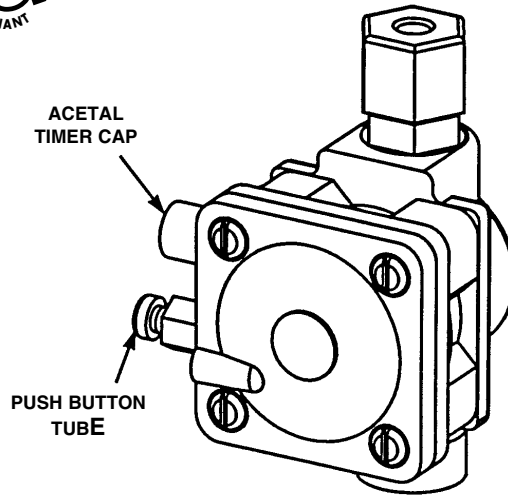
Operation

Bradley pneumatically-operated metering air valve features a non-hold-open push button. The pneumatic actuator and timing valve are independent of the water supply line. When the pushbutton is pressed, the air in the pushbutton diaphragm is forced through the tubes connected to the air valve manifold. The air then opens the valve which allows water to flow through the fixture's showerhead. Valving is easily serviced from the front of the panel or through the access cover.

Less than 5 lbs of pressure is required to activate the valve. The low operating force requirements make the Bradley air valve ideal for shower areas where ADA compliancy is needed or where a wide age range of users must be accommodated.

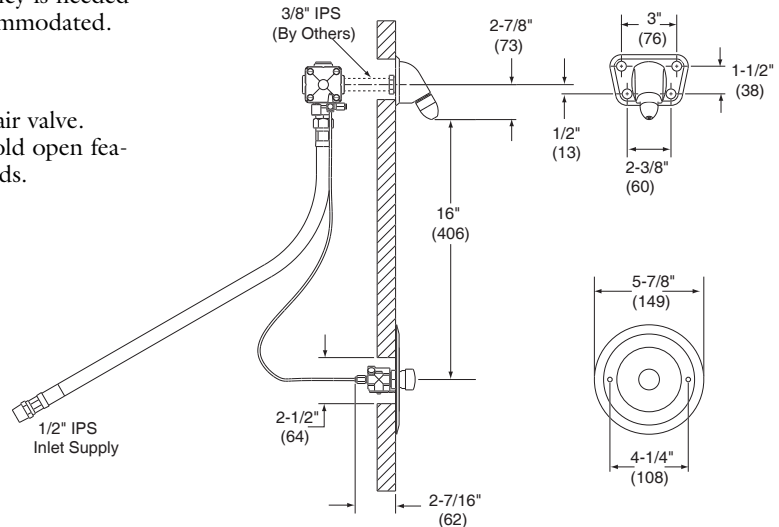
Sample Specification

Valving shall be Bradley pneumatically metering air valve. Pushbutton shall be ADA compliant with non-hold open feature. Timing shall be adjustable from 5-45 seconds.



Metering Air Valve

Air Metering Valve
(1C-AST) *



*Note: Requires plumbing chase or remote access.

Document No. 5335

This information is subject to change without formal notice.
© 2005 Bradley Corporation
10-12-2005 (1 Page Total)



P.O. Box 30201, Menomonee Falls, WI 53052-0309
Phone 1-800-BRADLEY FAX 262-251-5817
<http://www.bradleycorp.com>