



Shower Accessories Column Wall Showers

Standard Column Showerhead

Bradley standard showerhead is included as standard equipment on all Bradley Column, Multi-Stall, and Wall-Saver showers unless otherwise specified.

Adjustable Spray: Screw-type showerhead produces an excellent spray pattern from a single orifice. It's fully adjustable from a fine mist to a solid stream and may be locked by supervisory personnel at desired spray setting.

Low Maintenance: Chrome-plated brass shell has large orifice which passes sand, grit, and normal line sediment. Reduces possibility of lime buildup and corrosion. Adjustment threads turn freely and are isolated from water.

Economical: Under normal line pressures, showerhead uses minimal water. As a result, water consumption and heating costs are reduced.

Vandal-Resistant: Allen head set screws secure all showerhead components, and the smooth profile of the showerhead discourages tampering.

Water Flow Control: 1.5 GPM (4.7 LPM) flow control built into showerhead. Meets ANSI A112.18.1M standards.

Options

Volume Control—Allen Key: Key operated volume control is adjustable by supervisory personnel only. Does not compensate for pressure fluctuations but restricts maximum discharge to desired level.

Volume Control—T-Handle: T-Handle operated volume control is adjustable by user. Does not compensate for pressure fluctuations but restricts maximum discharge to desired level.

Lockable Universal Ball Joint: Allows showerhead to be locked at desired angle. Ideal for keeping spray away from dry areas. LBJ not available on severe service showerhead or Economy Soft Flow showerhead.

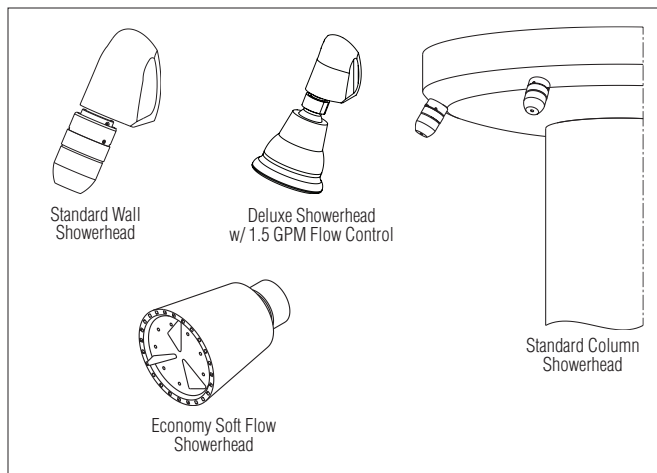
Deluxe Showerhead

Cone-Within-Cone Spray:

When the water is turned on, the spray disc moves downward into the shower position, delivering an evenly distributed cone-within-cone spray.

Low Maintenance: There is only one moving part inside the solid brass, highly chrome-plated body. When water is turned off, the spray disc moves upward, allowing the showerhead to drain instantly and completely. This self-cleaning action significantly retards liming and the buildup of water-born solids.

Water Flow Control: 1.5 GPM (4.7 LPM) Flow control washers built into showerhead cores restrict discharge to specified rate despite variations in pressure.



Standard Wall Showerhead

This showerhead is included as standard equipment and available only on showers utilizing a flat panel surface. Assembly consists of a standard fixed direction showerhead mounted in a chrome-plated brass, 30° angle base secured from behind shower panel by two 1/4-20 stainless steel screws. 1/2" IPS back inlet. Available with optional 1.5 GPM (4.7 LPM) flow control.

Severe Service Showerhead

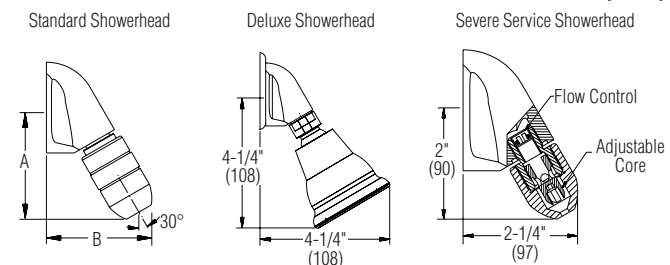
Severe service option is available in lieu of screw-type head. Fixed direction spray pattern is adjustable only through orifice with 1/8" Allen key. Use in high-volume areas. Ball joints or volume controls are not available on this head. Available with optional 1.5 GPM (4.7 LPM) flow control.

Economy Soft Flow Shower Head

Heavy, chrome-plated ABS construction with fully adjustable spray pattern (not adjustable with 1.5 GPM flow control). All internal components are anti-liming. Includes integral ball joint. Available with optional 1.5 GPM (4.7 LPM) flow control.

Dimensional Information

(mm)



Head Type & Optional Features	Standard Head	
	A	B
No Options	2-3/4" (70)	2-1/2" (64)
With Ball Joint (Universal or Lockable)	4" (102)	3-1/2" (89)
With Volume Control	3-1/2" (89)	3" (76)
With Volume Control and Ball Joint (Universal or Lockable)	5" (127)	4" (102)