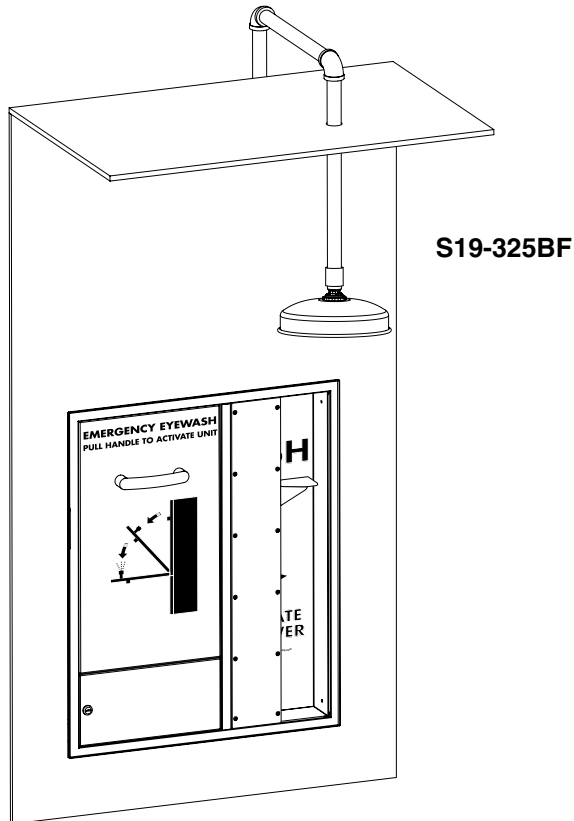


Installation



S19-325BF

S19-325FBF

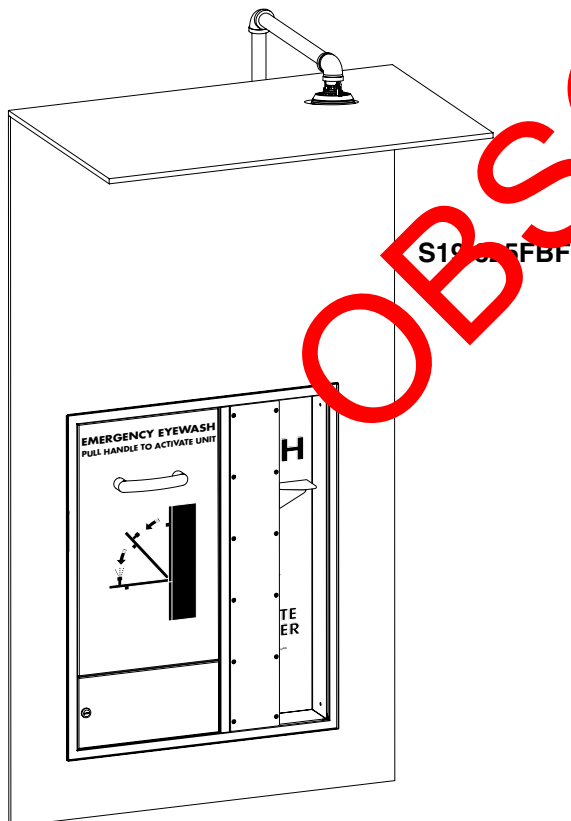
S19-325PBF

S19-325FPBF

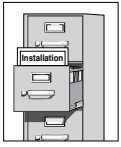
**Barrier Free Recess-Mounted
Drench Shower with Barrier Free
Cabinet-Controlled Swing-Down
Eye/Face Wash**

Table of Contents

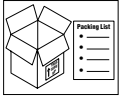
Pre-Installation Information.....	2
Dimensions.....	3
rough-Ins.....	4
Installation Instructions.....	5-6
Drench Shower Components and Parts List.....	7
Eye/Face Wash Components.....	8-9
Eye/Face Wash Parts List.....	10



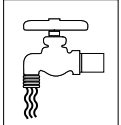
IMPORTANT



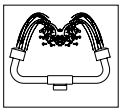
Read this installation manual completely to ensure proper installation, then file it with the owner or maintenance department. Compliance and conformity to drain requirements and other local codes and ordinances is the responsibility of the installer.



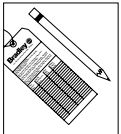
Separate parts from packaging and make sure all parts are accounted for before discarding any packaging material. If any parts are missing, do not begin installation until you obtain the missing parts.



Flush the water supply lines before beginning installation and after installation is complete. Test the unit for leaks and adequate water flow. Main water supply to the eyewash should be "ON" at all times. Provisions shall be made to prevent unauthorized shutoff.



The ANSI Z358.1 standard requires an uninterrupted supply of flushing fluid. Bradley plumbed emergency fixtures require a minimum of 30 PSI (0.21 MPa) flowing pressure. Flushing fluid should be tepid per ANSI Z358.1.



The inspection and testing results of this equipment should be recorded weekly to verify proper operation. This equipment should be inspected annually to ensure compliance with ANSI Z358.1.



Workers who may come in contact with potentially hazardous materials should be trained regarding the placement and proper operation of emergency equipment per ANSI Z358.1.



For questions regarding the operation or installation of this product, visit www.bradleycorp.com or call 1-800-BRADLEY.

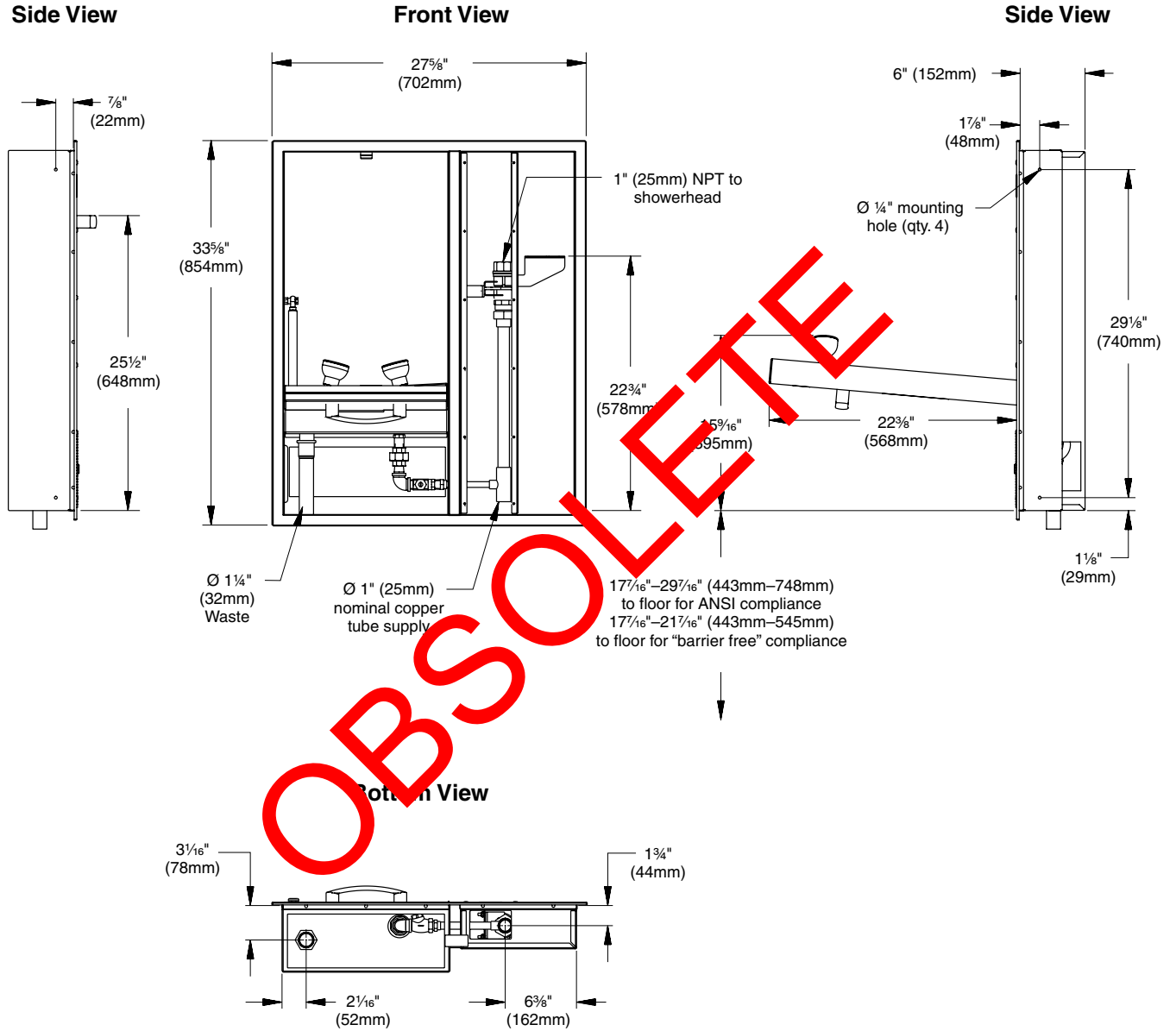
Product warranties and parts information may also be found under "Products" on our web site at www.bradleycorp.com.

NOTICE! Avoid cleaners containing organic solvents, alcohols, and hydrocarbons. Rinse with water after cleaning.

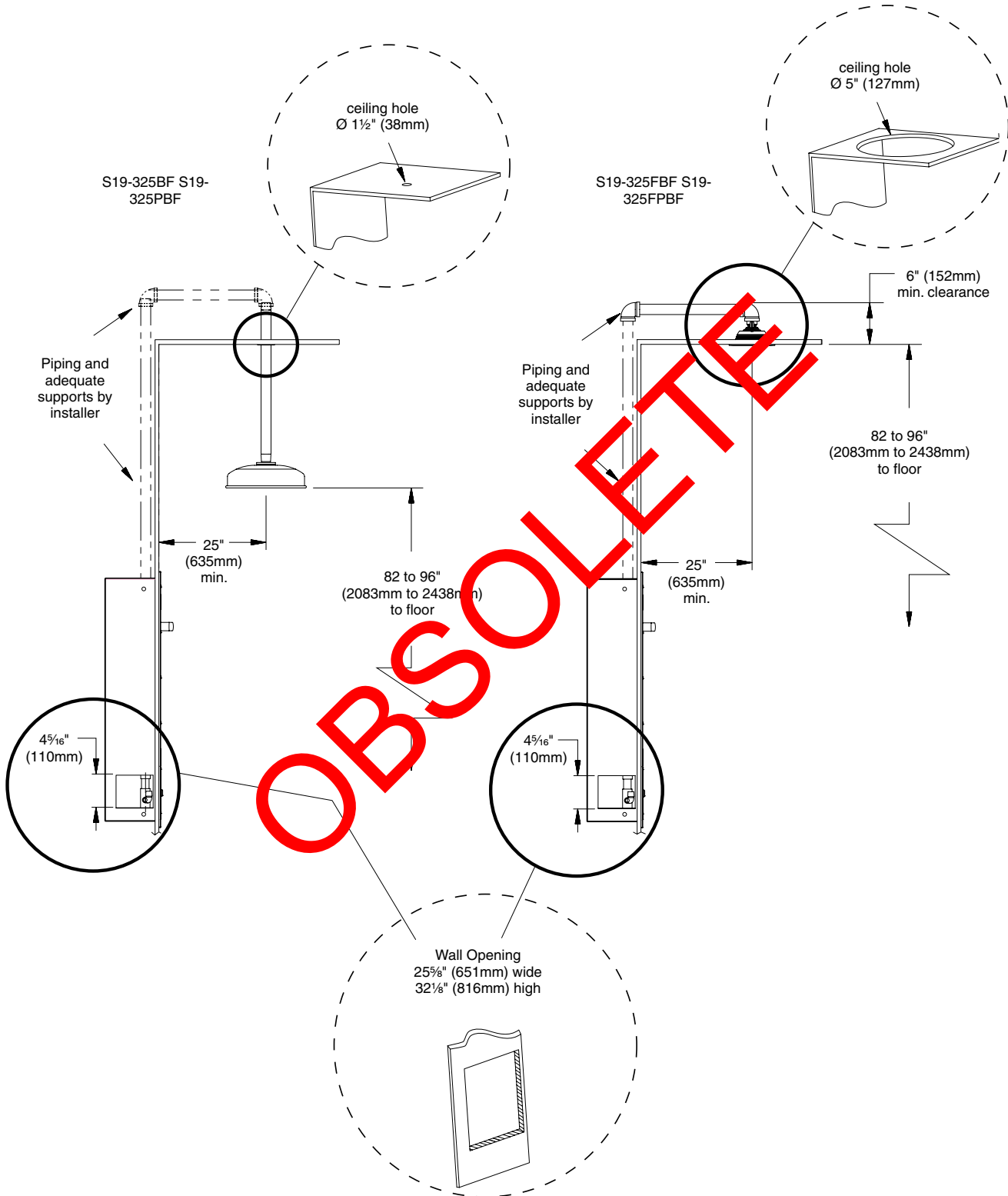


Local codes may require the installation of a backflow prevention valve to complete proper installation. Compliance with local codes is the responsibility of the installer. Valve must be tested annually to verify that it is functioning properly. Backflow prevention valves are not included with the fixture and may be supplied by the contractor or purchased from Bradley Corporation.

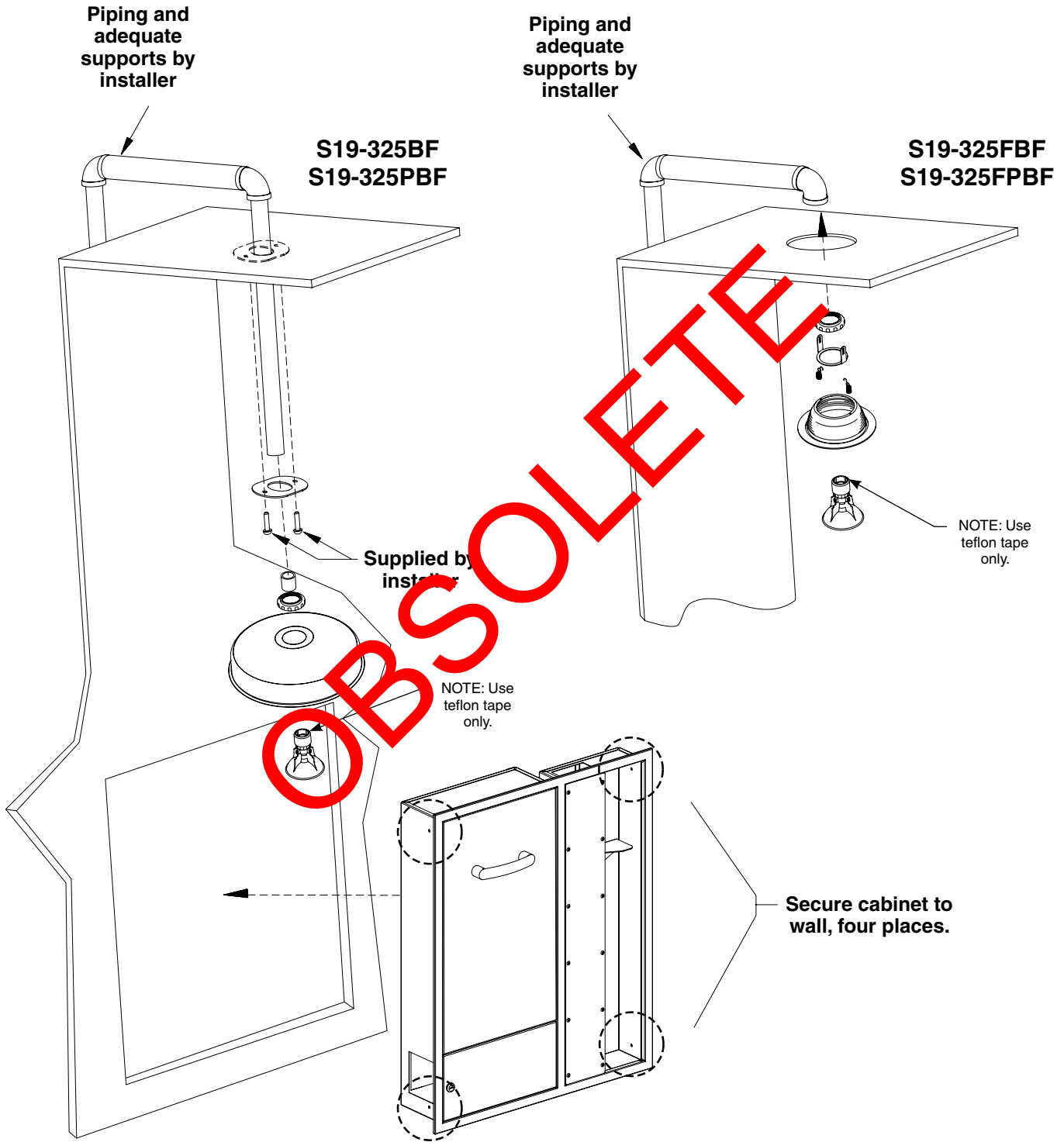
Eye/Face Wash Cabinet Dimensions



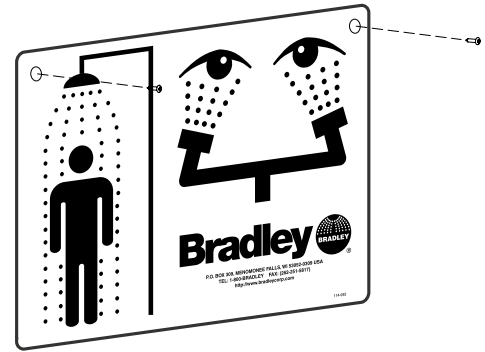
1 Rough-Ins



2 Installation



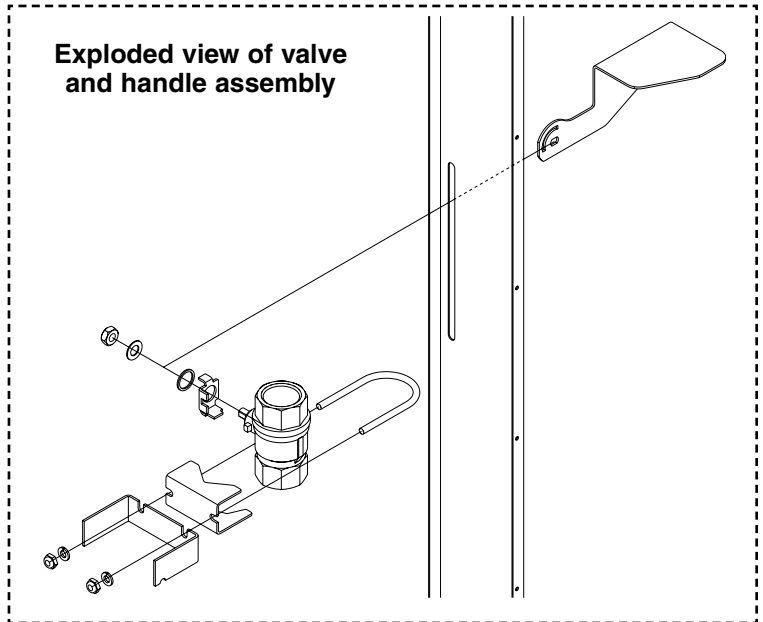
3 Connect Water Supply



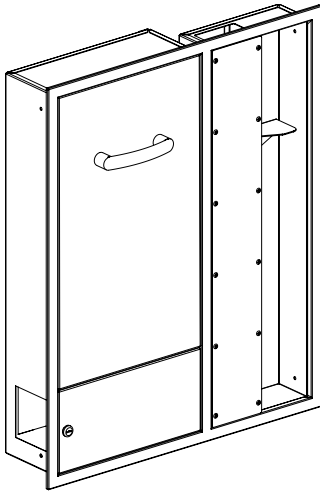
Mount safety sign to wall.





OBSOLETE

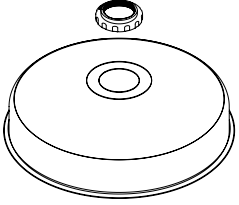


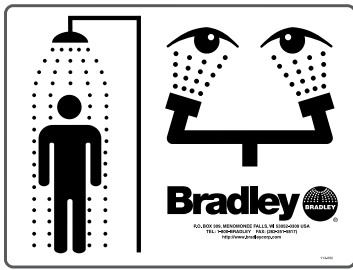
Assembly of Components and Parts List for Drench Shower




150-212
(S19-325BF
OR
S19-325PBF)


169-1027
(S19-325BF or S19-325PBF)



S24-189
(S19-325BF or S19-325PBF)

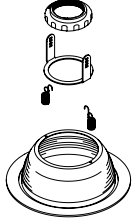


114-052

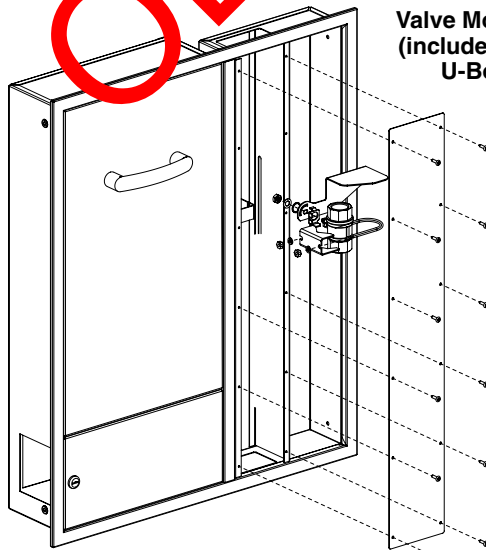


114-42


113-864
(S19-325BF
OR
S19-325PBF)


S24-197
(S19-325FBF or S19-325FPBF)

Service Prepacks

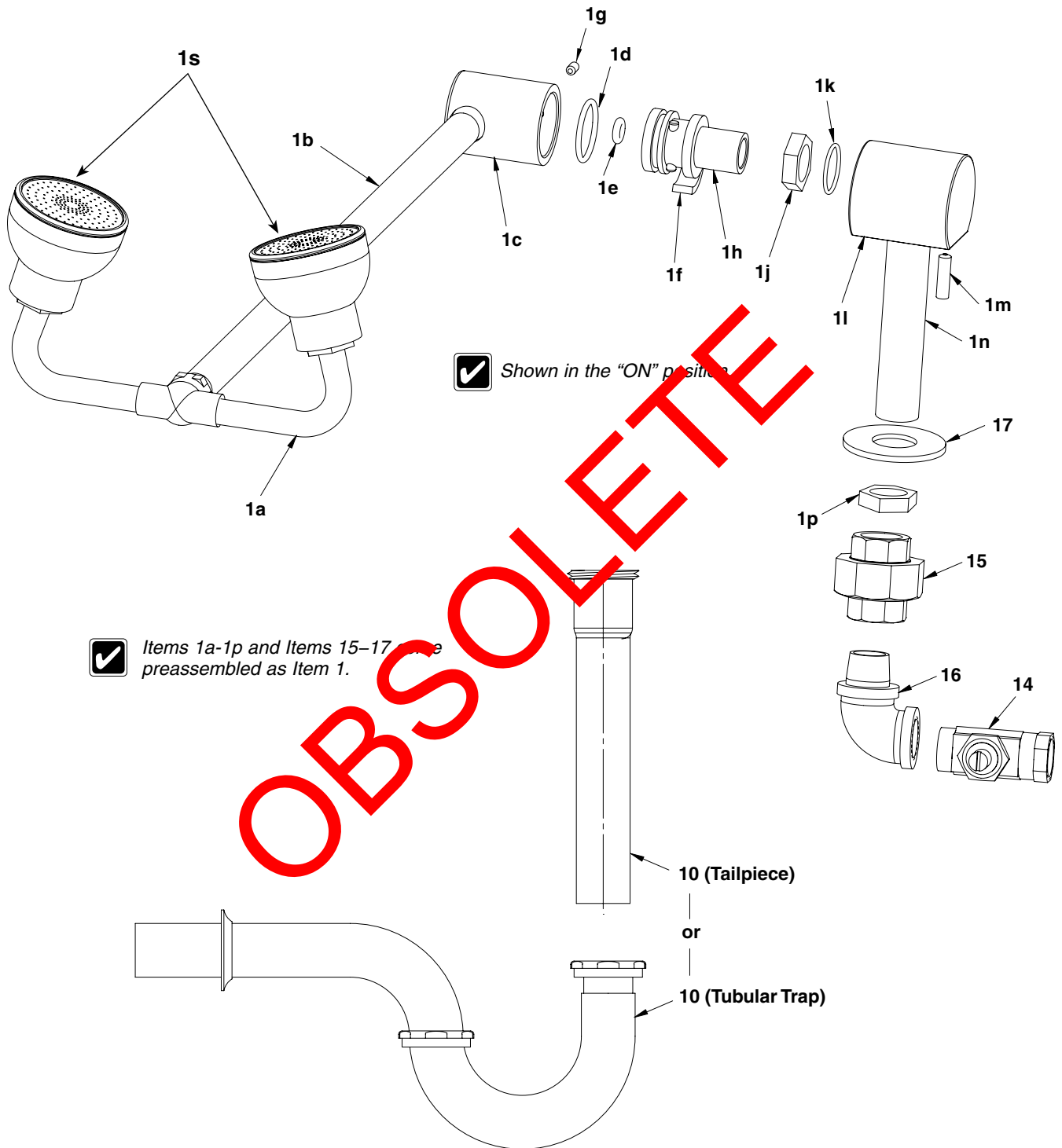


Valve Mounting Hardware Prepack
(includes Valve Mounting Bracket,
U-Bolt, Nuts and Washers)
S45-2236

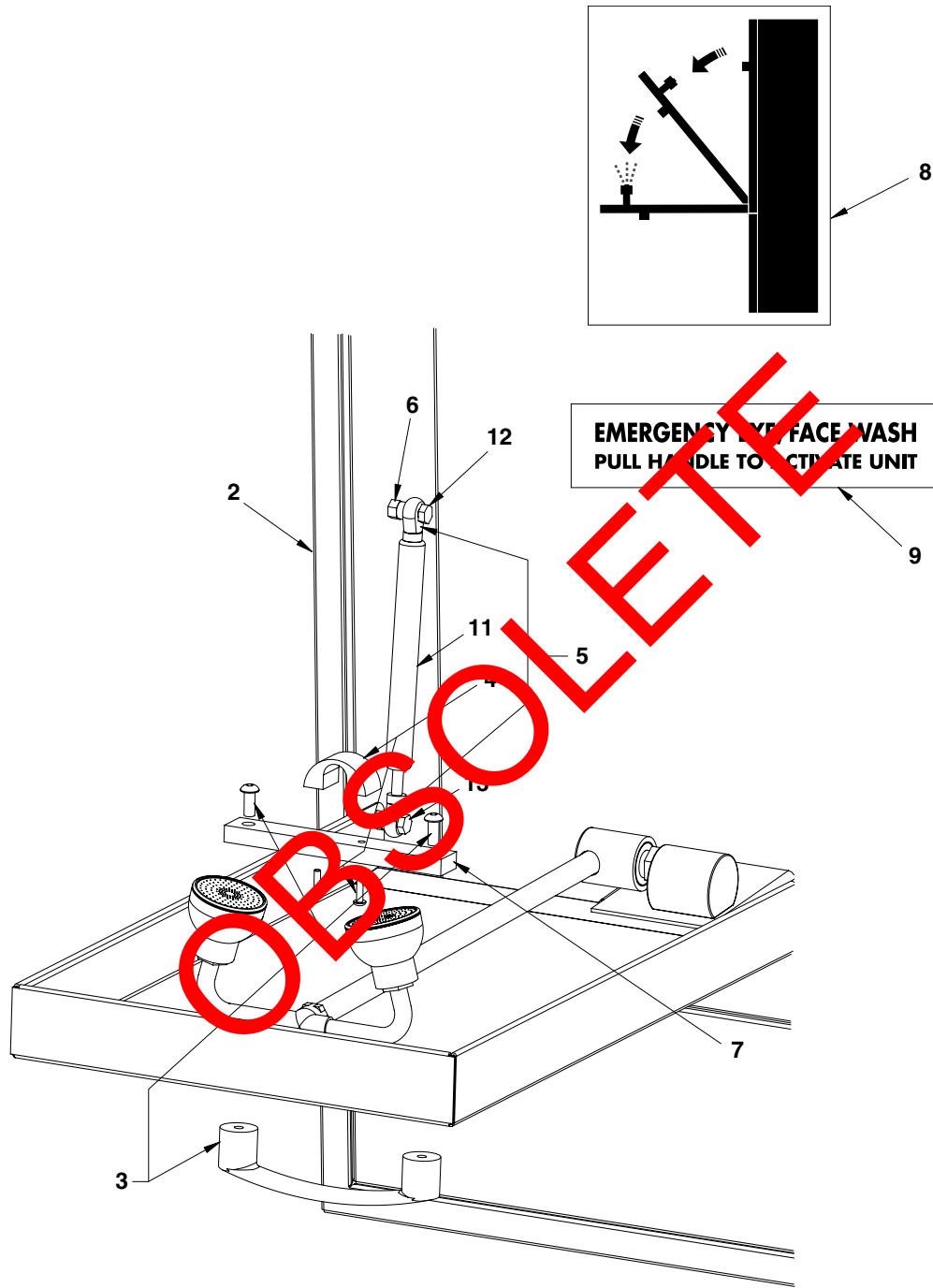
Screw Prepack
(includes twelve screws
and Torx Power Bit)
S45-2245

Valve/Handle Prepack
(includes Handle and Valve Assembly)
S45-2237

Assembly of Components for Eye/Face Wash (parts list on page 10)



Assembly of Components for Eye/Face Wash *continued . . .*



Parts List for Eye/Face Wash

Item	Part No.	Qty.	Description
1	S39-679	1	Swing-Down Sub-Assembly
1a	S05-092	1	Eye/Face Wash Yoke Assembly
1b	113-1125	1	Pipe - Plated
1c	118-288	1	Valve Body - Plated
1d	125-120	1	O-Ring
1e	125-135	1	O-Ring
1f	192-016	1	Insert, Direction - Plated
1g	160-413	1	Screw, Set
1h	S39-598	1	Actuator Sub-Assembly - Valve
1i	132-047	1	Insert, Flow Control
1j	125-001CS	1	O-Ring
1k	125-032	1	Flow Control
1l	110-115A	1	Hex Nut - Plated
1m	125-001DA	1	O-Ring
1n	131-082	1	Base
1p	160-428	1	Screw, Set
1q	113-1058	1	Shank
1r	110-115	1	Hex Nut
1s	S05-158	1	Eye/Face Wash Assembly

Item	Part No.	Qty.	Description
2	S39-691	1	Cabinet Assembly
3	S45-2196	1	Handle/Hardware Kit
4	S45-2197	1	Swing-Down Stop Kit
5	269-1836	2	Rod End
6	182-118	1	Spacer
7	140-949	1	Bracket, Swing-Down
8	204-602	1	Decal, Pull Down Eyewash
9	204-603	1	Decal, Concealed Eyewash
10	269-1830	1	Tailpiece
	or 269-142	1	Tubular Trap, 1-1/4"
11	269-1830	1	Gas Spring
12	160-454	1	Bolt, 5/16"-18 x 1"
13	160-458	1	Bolt, 5/16"-18 x 3/4"
14	S27-102	1	Stop Valve
15	169-346	1	Union
16	169-339	1	1/2" Elbow, 90°
17	142-002CB	1	Washer

OBSOLETE