



# Extra Height 54" Terreon® Circular Washfountains

- cUPC Certified
- 34" Bowl Rim Height
- 9" Deep Bowl
- Designed for Heavy Duty Hand Washing
- Reliable Air, TouchTime or Infrared Activations
- Vandal Resistant – Easy to Clean

## Specifications

### Size and Capacity

34" floor to bowl rim height provides a taller fixture specifically designed for heavy-duty hand washing. Circular models accommodate up to 8 users (WF3208). All models use less water, energy and space than lavs equipped with conventional faucets. The Classic Sprayhead (non-sectional) is controlled by an infrared sensor, electronic pushbutton or piezo switch or air activated pushbutton. The operating range is 20-80 PSI.

## Construction

### Bowl Materials

Constructed of Terreon®, a densified solid surface material composed of bio-based resin. Terreon is resistant to chemicals, stains, burns and impact. Surface damage can be easily repaired with everyday cleansers or fine grit abrasives. Terreon is Home Innovation Lab certified to meet CSA B45.5/IAPMO Z124. Terreon is GREENGUARD® certified as low-emitting materials.

### Pedestals

Tapered pedestal is fabricated from a reinforced, gel-coated fiberglass. The pedestal incorporates a large access panel, for ease of installation and maintenance, and a 6" stainless steel kick plate to prevent damage.

### Vandal Resistance

The infrared sensors and lenses or push buttons are secured to the unit from inside a heavy gauge stainless steel module to prevent tampering. The infrared sensor will automatically shut off the water flow after 30 seconds if a vandal attempts to trigger constant operation by covering the sensor or placing a stationary object in the sensor's detection area. All valves, water supplies and waste connections are concealed inside the pedestal. The Terreon bowl is resistant to stains, burns and impact; surface damage is easily repaired and repair work is virtually undetectable.

## Standard Equipment

### Valves and Fittings

In addition to the bowl and pedestal, the following valves and fittings are standard: sprayhead with stainless steel support tube and bowl gasket; drain spud with domed strainer; sprayhead supply tubing; manual mixing valve with stops, strainers and check valves; flexible stainless steel supply hoses; and volume control valve.

## Activation Controls

### Infrared

Hands placed within the bowl are detected by an infrared sensor module which activates a flow of tempered water from the classic non-sectional sprayhead. Shut-off is automatic after hands are removed from the detection area. The infrared sensor uses a conical-shaped transmitting beam, having a detection area adapted to, but not exceeding, the bowl perimeter. The infrared sensor automatically adapts to the bowl after power is turned on. The infrared sensor is not affected by varying color tones or darkness. Direct sunlight or bright washroom lights will not activate the system. Infrared models also include solenoid valves and a 12V plug-in adapter as standard equipment:

- Solenoid – 12VDC, 3/4" NPT. Few moving parts, and resistant to most chemicals, minerals, and impurities often present in municipal water supplies.
- Low-Voltage UL/CSA listed 120VAC/12VDC plug-in adapter. Plugs into a standard GFCI protected electrical outlet. Location of transformer per local electrical code.

### Air

Each push button pneumatically actuates a non-hold-open, air metering, single-temperature valve with field adjustable timing from 0–45 seconds. Factory preset at 12 seconds. Each push button activates a flow of tempered water from the classic non-sectional sprayhead. Push button requires less than five pounds of pressure.



WF3208

### TouchTime

Each low-voltage button or piezo switch actuates a non-hold-open, slow-closing anti-hammer solenoid valve that is timed from an electronic potted assembly. Each push button activates a flow of tempered water from the classic non-sectional sprayhead. TouchTime controls water flow at each station through the use of solid state, digital circuitry. Timing is factory set at 12 second run time but is field adjustable to pre-set timeout periods and optional auto-flush function. The 24 hour flush function will activate water flow for a period of 60 seconds any time there has been no activation within the past 24 hours. Pushbutton requires less than five pounds of pressure.

## Code Compliance and Certifications

### cUPC Approval

Pre-Assembled Classic Washfountains are Uniform Plumbing Code (cUPC), International Plumbing Code (IPC) and National Plumbing Code of Canada certified through the International Association of Plumbing and Mechanical Officials (IAPMO). Manufactured in compliance with IGC 156-2012, CSA B45 Series-2002 (R2013) & ASME A112.18.1-2012/CSA B125.1-12.

### ANSI Standards

Terreon is Home Innovation Lab certified to meet CSA 45.5/IAPMO Z124.



Standard product selections contained within this document are third party **CERTIFIED** to NSF/ANSI 372 meeting the Lead-Free content requirement. Any product configured with custom options will be **COMPLIANT** with NSF/ANSI 372 meeting the Lead-Free content requirement.





Model			
Model	Size	Users	Material
<input type="checkbox"/> WF3208	54" Circular	8	Terreon®

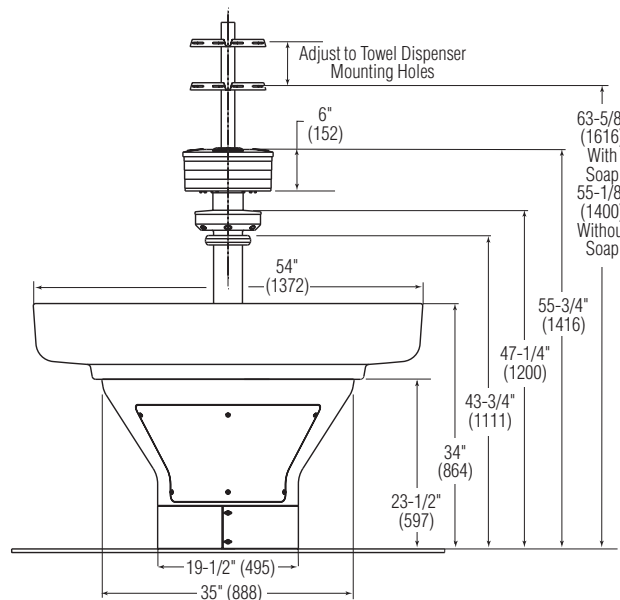
  

Standard Selections (Must select one from each category)			
Drain Type (select one)			
<input type="checkbox"/> A	Off-line vent with supplies from below		
<input type="checkbox"/> B	Centrally rising vent with supplies from above		
<input type="checkbox"/> H	Centrally rising vent with supplies from below		
<input type="checkbox"/> O	Off-line vent with supplies from above		
Mounting Height Type (select one)			
<input type="checkbox"/> STD	Standard Height 34" Rim		
Sprayhead Type (select one)			
<input type="checkbox"/> CLC	Classic Sprayhead (entire sprayhead activates)		
Activation Type (select one)			
<input type="checkbox"/> IRP	Infrared	<input type="checkbox"/> TTPA	TouchTime Pushbutton**
<input type="checkbox"/> AST4	Air Pushbutton	<input type="checkbox"/> TTPB	TouchTime Piezo Switch**
Water Supply Type (select one)			
<input type="checkbox"/> TMA	Thermostatic Mixing Valve	<input type="checkbox"/> TL	Single Tempered Line
Soap Dispenser Type (select one)			
<input type="checkbox"/> PSD	Powdered Soap Dispenser	<input type="checkbox"/> MLSD	Metal-Clad Liquid Soap Dispenser
<input type="checkbox"/> LSD	Liquid Soap Dispenser	<input type="checkbox"/> MPSD	Metal-Clad Powdered Soap Dispenser
<input type="checkbox"/> NSD	No Soap Dispenser	<input type="checkbox"/> SA	Cube Adapter for Individual Soap Dispensers (dispensers sold separately ‡)
Terreon® Bowl Color (select one)			
<input type="checkbox"/> SS-GRAY	Soapstone Gray		
<input type="checkbox"/> CA-TAN	Canyon Tan		

Optional Selections	
Shroud Type	
<input type="checkbox"/> SH	Stainless Steel Shroud (Conceals overhead plumbing)*
<input type="checkbox"/> NONE	No Shroud
Support Tube Reinforcement Type	
<input type="checkbox"/> TA	1-1/2" Tie Pipe Assembly (not required when SH is selected) †
<input type="checkbox"/> NONE	No Tie Pipe Assembly
Towel Dispenser Type	
<input type="checkbox"/> CFTD	(3) C-Fold, Multi-Fold Dispenser
<input type="checkbox"/> SFTD	(3) Single Fold Dispensers
<input type="checkbox"/> NONE	No Towel Dispenser

\* Non-cancelable, non-returnable.  
 \*\* TTPA and TTPB valves require a low-voltage UL/CSA listed 120VAC/12VDC plug-in adapter.  
 † Required with A or O drains and towel dispensers.  
 ‡ Towel Dispenser with SA soap option is non-cancellable and non-returnable.

**Dimensions — 54" Circular with 9" Deep Bowl**



(mm)

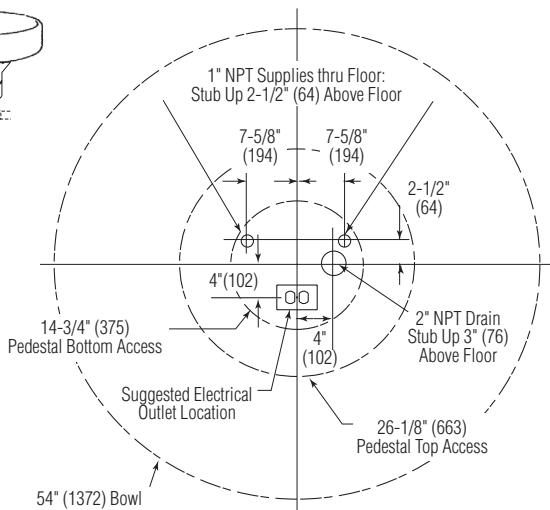
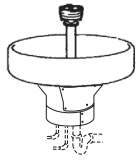


(mm)

Rough-Ins – 54" Circular

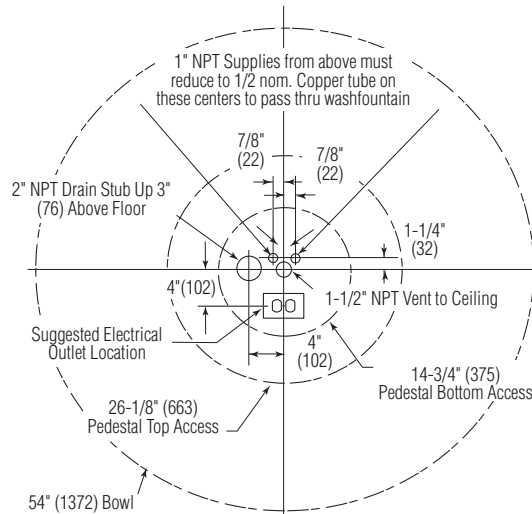
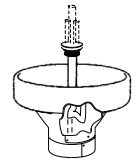
Type A

– Off-line vent with supplies from below.



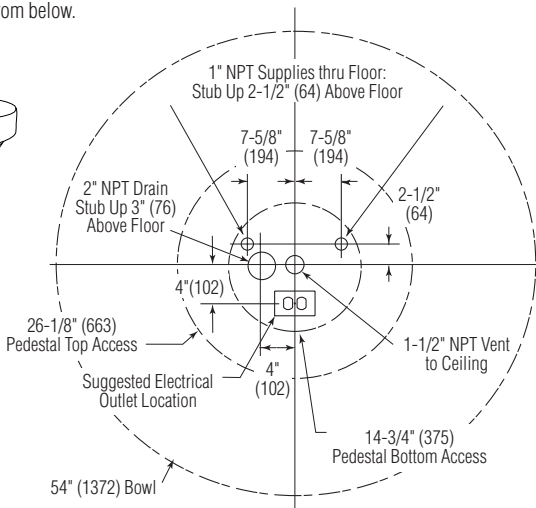
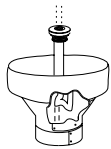
Type B

– Centrally rising vent with supplies from above.



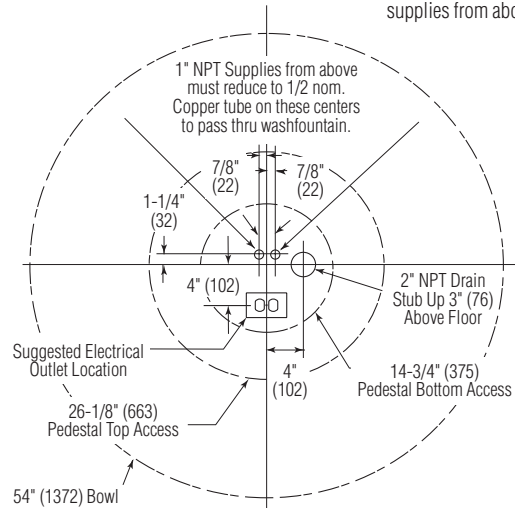
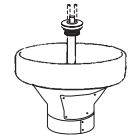
Type H

– Centrally rising vent with supplies from below.



Type O

– Off-line vent with supplies from above.



Rough-In Notes

1. All pipes and fittings not furnished by Bradley are shown in broken lines.
2. Supply lines for one to two washfountains should be 1"; for three washfountains 1-1/4"; for more than three washfountains, pipe sizes should be increased proportionately.
3. Overhead supplies must be reduced to 1/2" copper tube to pass through support tube.
4. Check valve inlets are 1/2" NPT.
5. Check local codes when electrical outlet used with infrared and TouchTime valving is ordered. Outlet may be required to be in a remote location.