

Model 2491 — Surface-Mounted

- Roll Paper Towels
- Lever Operation

Product Materials

UNIT BODY: 20 gauge steel. Top fabricated of 18 gauge steel. Body and top finished with grey high-gloss baked enamel. Door fabricated of smoked transparent high-impact plastic.

Capacity

One 8" or 9" wide paper towel roll and one partial (stub) roll.

Operation

Lever-operated dispensing mechanism will provide an adjustable means to dispense a nominal 5 inches, 4 inches or 2½ inches of toweling per lever stroke. Toweling will only be dispensed with the downward stroke of the lever.

Installation

Verify all rough-in dimensions prior to installation. Secure to wall using convenient mounting slots and appropriate mounting devices.

Guide Specification

Cabinet sides and back shall be fabricated from 20 gauge steel, with 18 gauge steel on top, pre-treated and finished with a baked enamel. The door will be smoked transparent and the throat an opaque high impact plastic. The front cover shall be fabricated of smoked transparent high-impact plastic.

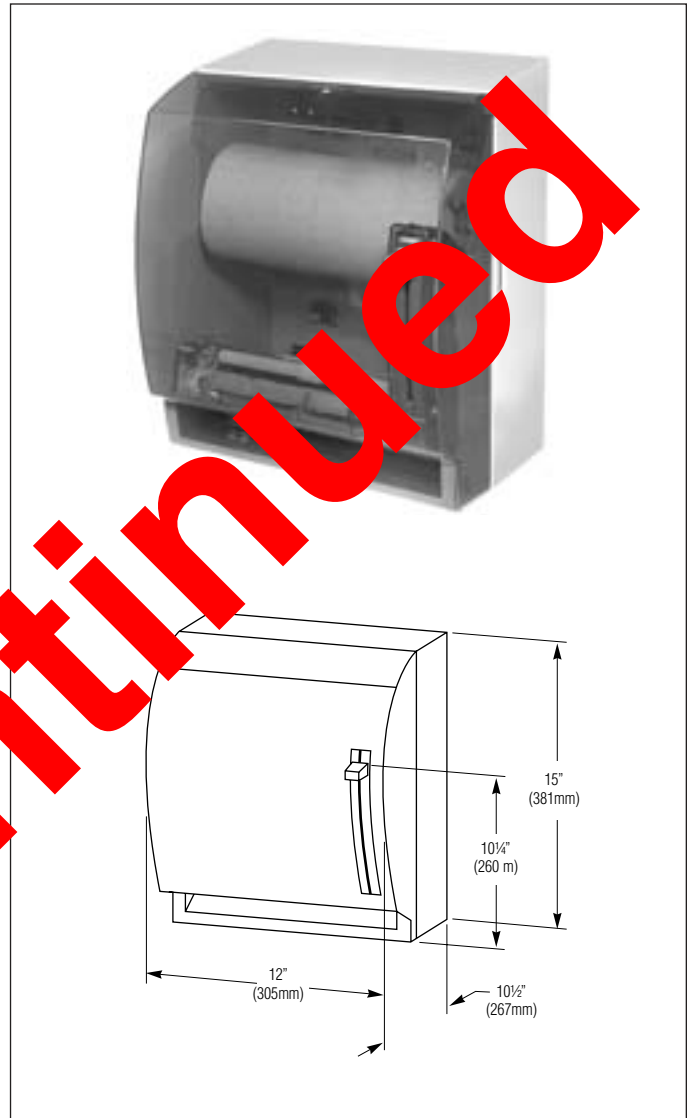
Cabinets shall have a lever-operated dispensing mechanism. The operating lever is to be located on the front of the dispenser.

Cabinet will be provided with a key activated spring lock, which can easily be converted to push-button operation. Each cabinet will be provided with a key and push-button.

Cabinets shall include a transfer system which will automatically start feeding the paper web of the top roll when the lower roll is nearly depleted.

The drive mechanism, transfer system, roll holder and door shall be field replaceable.

Overall dimensions: 12"W x 15"H x 10 1/2"D.



Discontinued

Washroom Accessories
Document No. 8205

This information is subject to change without notice.
Always consult local and national codes for proper installation guidelines.
Conformity and compliance to local and national codes is the responsibility of the installer.

7-21-2010

© 2008 Bradley Corporation
P.O. Box 309, Menomonee Falls, WI 53052-0309
Phone: 800.BRADLEY (800.272.3539) Fax: 262.253.4161
bradleycorp.com