



WF2603, WF2604, WF2605, WF2608 Terrazzo Classic Washfountains

- cUPC Certified
- Available in Semi-Circular or Circular with 9" Deep Bowls
- Designed for Heavy Duty Hand Washing
- Available in 54" or 36" Diameter Bowl Size
- Available with Foot, Air, TouchTime® or Infrared Activations

Specifications

Size and Capacity

Semi-circular models accommodate up to 3 users (36" models) or 4 users (54" models) at a time. Circular models accommodate up to 5 users (36" models) or 8 users (54" models) at a time. All models utilize less water, energy and space than lavatories equipped with conventional faucets. The classic sprayhead (non-sectional) is controlled by an infrared sensor, electronic pushbutton or piezo switch, air activated pushbutton or foot rail. The operating range is 20-80 PSI. Flow rate controlled by volume control valve.

Construction

Bowl: Composed of approximately 85% stone and 15% binder with steel reinforcing rods cast into the bowl. Polished and sealed with urethane resin.

Pedestal: Constructed of die-formed legs, upper braces, scuff bases and panels; legs are zinc chromate plated 14 gauge steel; upper braces are 16 gauge galvanized steel; and scuff bases and pedestal panels are 300 series stainless steel with a #4 finish.

Standard Equipment

Valves and Fittings

In addition to the bowl and pedestal, the following valves and fittings are standard: sprayhead with stainless steel support tube and bowl gasket; spud with domed strainer; sprayhead supply line; manual mixing valve; volume control valve; and (2) stop, strainer and check valves.

Activation Controls

Foot

Each press of the foot rail mechanically actuates a hold-open valve, with slow closing upon release of foot pressure.

Air

Each push button pneumatically actuates a non-hold-open, air metering, single-temperature valve with field adjustable timing from 0-45 seconds. Factory preset at 12 seconds. Each push button activates a flow of tempered water from the classic non-sectional sprayhead. Push button requires less than five pounds of pressure.

Infrared

Hands placed within the bowl are detected by an infrared sensor module which activates a flow of tempered water from the classic non-sectional sprayhead. Shut-off is automatic seven seconds after hands are removed from detection area. The infrared sensor uses a conical-shaped transmitting beam, having a detection area adapted to, but not exceeding, the bowl perimeter. The detection area projects forward 15° to each side and 15° below and extends 6 to 9 inches from the sensor module. The infrared sensor is not affected by varying color tones or darkness. Direct sunlight or bright washroom lights will not activate the system. Infrared models also include solenoid valves and a 12V plug-in adapter as standard equipment:

- Solenoid – 12VDC, 3/4" NPT. Few moving parts, and resistant to most chemicals, minerals, and impurities often present in municipal water supplies.
- Low-Voltage UL/CSA listed 120VAC/12VDC plug-in adapter. Plugs into a standard GFCI protected electrical outlet. Location of plug-in adapter per local electrical code.



WF2604

WF2605

TouchTime®

Each low-voltage mechanical pushbutton or piezo switch actuates a non-hold-open, slow-closing anti-hammer solenoid valve that is timed from an electronic potted assembly. Each push button activates a flow of tempered water from the classic non-sectional sprayhead. TouchTime controls water flow at all stations through the use of solid state, digital circuitry. Timing is factory set at 12 second run time but is field adjustable to pre-set timeout periods and optional auto-flush function. The 24 hour flush function will activate water flow for a period of 60 seconds any time there has been no activation within the past 24 hours. Push button and piezo switch requires less than five pounds of pressure.

Code Compliance

cUPC Approval

Terrazzo Classic Washfountains are Uniform Plumbing Code (cUPC), International Plumbing Code (IPC) and National Plumbing Code of Canada certified through the International Association of Plumbing and Mechanical Officials (IAPMO). Manufactured in compliance with IGC 156-2012, CSA B45 Series-2002 (R2013) & ASME A112.18.1-2012/CSA B125.1-12.



Standard product selections contained within this document are third party **CERTIFIED** to NSF/ANSI 372 meeting the Lead-Free content requirement. Any product configured with custom options will be **COMPLIANT** with NSF/ANSI 372 meeting the Lead-Free content requirement.



Certified to
NSF/ANSI 372





WF2603, WF2604, WF2605, WF2608 Terrazzo Classic Washfountains

Models (Must select one)			
Model	Size	Users	Material
<input type="checkbox"/> WF2603	36" Semi-Circular	3	Terrazzo
<input type="checkbox"/> WF2604	54" Semi-Circular	4	Terrazzo
<input type="checkbox"/> WF2605	36" Circular	5	Terrazzo
<input type="checkbox"/> WF2608	54" Circular	8	Terrazzo

Standard Selections (Must select one from each category)

Drain Type (select one)

A Off-line vent with supplies from below

B Centrally rising vent with supplies from above

H Centrally rising vent with supplies from below

O Off-line vent with supplies from above

Mounting Height Type (select one)

STD Standard Height **JUV** Juvenile Height

Sprayhead Type (select one)

CLC Classic Sprayhead (entire sprayhead activates)

Activation Type (select one)

F Foot **TTPA** TouchTime Pushbutton***

IRP Infrared **TTPB** TouchTime Piezo Switch***

AST4 Air Pushbutton

Water Supply Type (select one)

MMV Manual Mixing Valve **TMA** Thermostatic Mixing Valve

Soap Dispenser Type (select one)

PSD Powdered Soap Dispenser **MPSD** Metal-Clad Powdered Soap Disp.

LSD Liquid Soap Dispenser **SA** Cube Adapter for Individual Soap Dispensers (dispensers sold separately)†

MLSD Metal-Clad Liquid Soap Dispenser **NSD** No Soap Dispenser

Terrazzo Bowl Color (select one)

Standard Colors

GRANITO Granito (Beige)

WHT-MARM White Marmorite

Premium Terrazzo Colors (available at an additional charge)*

W-GRAY Whisper Gray* **D-ROSE** Dusty Rose*

Optional Selections

Shroud Type

SH Stainless Steel Shroud (Conceals Overhead Piping)*

NONE No Shroud

Support Tube Reinforcement Type

TA 1-1/2" Tie Pipe Assembly (not required when SH is selected) §

NONE No Tie Pie Assembly

Towel Dispenser Type

CFTD (2 for semi, 3 for circular) C-Fold, Multi-Fold Dispenser

SFTD (2 for semi, 3 for circular) Single-Fold Dispenser

NONE No Towel Dispenser

Hose Bibb Type

HB Hose Bibb**

NONE No Hose Bibb

* Non-cancelable, not-returnable

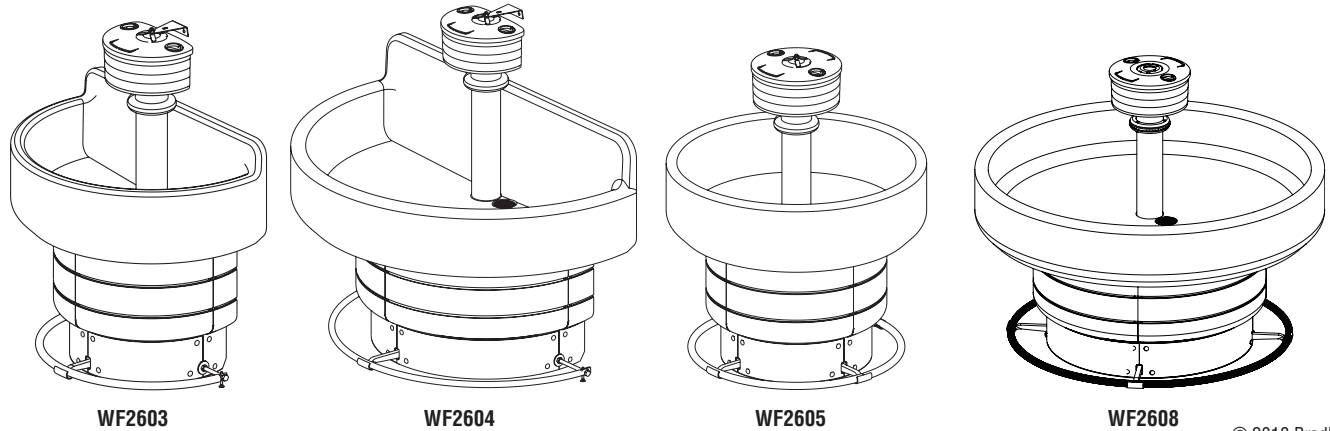
** Available with STD height only. Non-cancelable, non-returnable.

*** TTPA and TTPB require a low-voltage UL/CSA listed 120VAC/12VDC plug-in adapter.

† Towel dispenser with SA option is non-cancelable and non-returnable.

§ Required with drain A, drain O and towel dispensers.

Semi-Circular Terrazzo WF2603 and WF2604, Circular Terrazzo WF2605 and WF2608

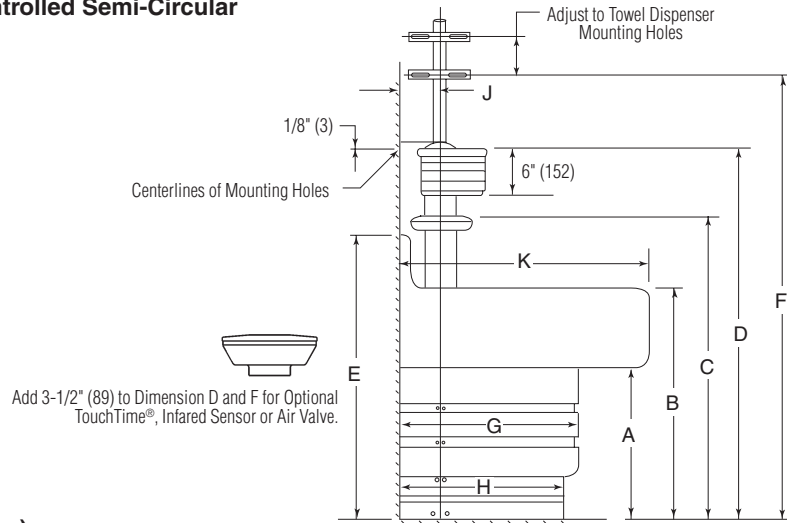




WF2603, WF2604, WF2605, WF2608 Terrazzo Classic Washfountains

Dimensions — Foot Controlled Semi-Circular

(mm)

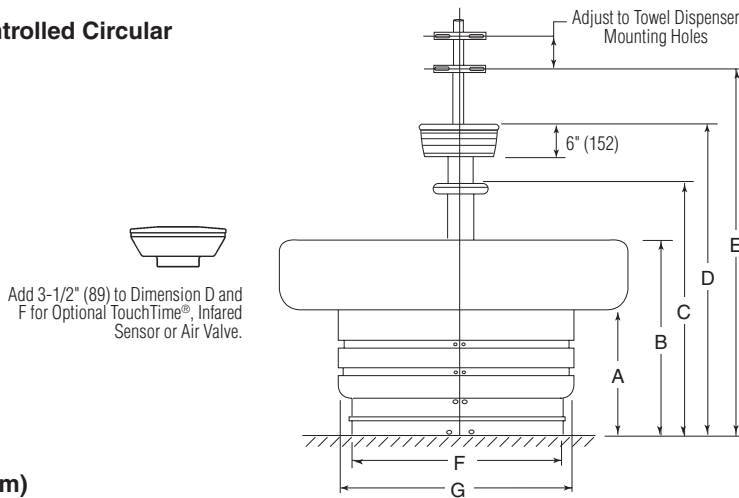


Dimensions – Inches (mm)

Size	A*	B*	C*	D*	E*	F*	G	H	J	K
54 (1372)	19 (483)	29-1/4 (743)	39-1/8 (994)	47-5/8 (1210)	36-1/4 (921)	56 (1422)	23-1/4 (591)	21-1/2 (546)	5-1/4 (133)	32-1/4 (819)
36 (914)	19 (483)	29-1/4 (743)	35-5/8 (905)	44-1/8 (1112)	33-1/4 (845)	52-1/2 (1334)	17-1/4 (438)	15-1/4 (378)	4-3/4 (121)	22-3/4 (578)

* Juvenile Height: Subtract 4" (102) from dimensions A through F for juvenile height.

Dimensions — Foot Controlled Circular



Dimensions – Inches (mm)

Size	A*	B*	C*	D*	E*	F	G
54 (1372)	19 (483)	29-1/4 (743)	39-1/8 (994)	47-5/8 (1210)	56 (1422)	32 (813)	36 (914)
36 (914)	19 (483)	29-1/4 (743)	35-5/8 (905)	44-1/8 (1121)	52-1/2 (1334)	21 (533)	25 (635)

* Juvenile Height: Subtract 4" (102) from dimensions A through E for juvenile height.



WF2603, WF2604, WF2605, WF2608 Terrazzo Classic Washfountains

(mm)

Rough-In Notes

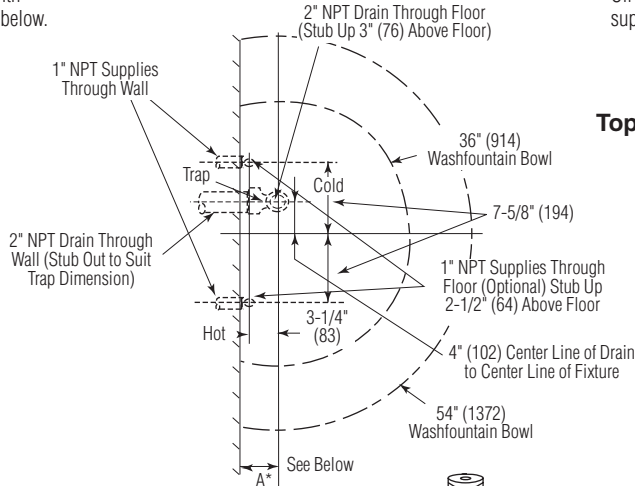
1. All pipes and fittings not furnished by Bradley are shown in broken lines.
2. Supply lines for one to two washfountains should be 1"; for three washfountains 1-1/4"; for more than three washfountains, pipe sizes should be increased proportionately.
3. Overhead supplies must be reduced to 1/2" copper tube to pass through support tube.
4. Check valve inlets are 1/2" NPT.
5. Drain Types B and H: For maximum rigidity of sprayhead/support tube assembly, use 1-1/2" NPT galvanized pipe for vent. Use of plastic or copper for vent is not recommended.

Rough-Ins – Semi-Circular

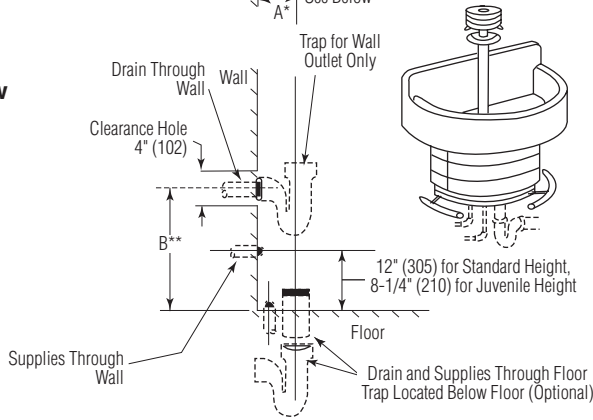
Type A

– Off-line vent with supplies from below.

Top View



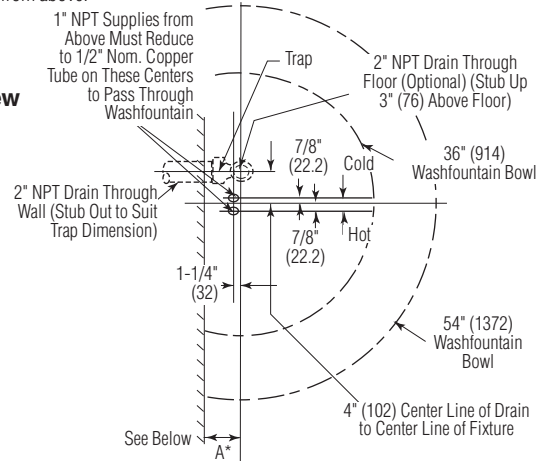
Side View



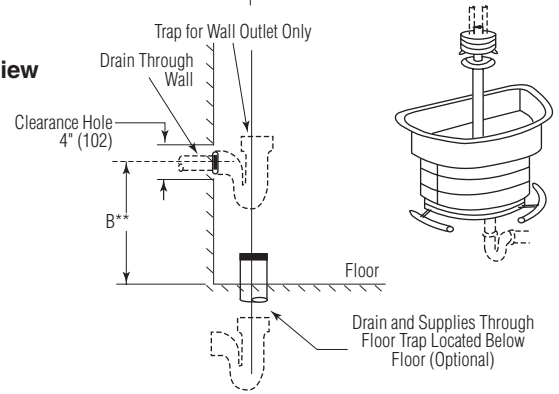
Type O

– Off-line vent with supplies from above.

Top View



Side View



Installing Traps

When installing trap with a coupling and nipple, see dimension D in the chart below. If trap is installed tight to bottom of bowl, dimension D depends on design of trap.

Bowl Size	A*	B** (Standard Height)	B** (Juvenile Height)
54" (1372)	5-1/4" (133)	6 to 13-1/4" (152 to 337)	6 to 10-1/4" (152 to 260)
36" (914)	4-3/4" (121)	6 to 13-1/4" (152 to 337)	6 to 10-1/4" (152 to 260)

* Wall to centerline of trap ** Centerline of drain to floor



WF2603, WF2604, WF2605, WF2608 Terrazzo Classic Washfountains

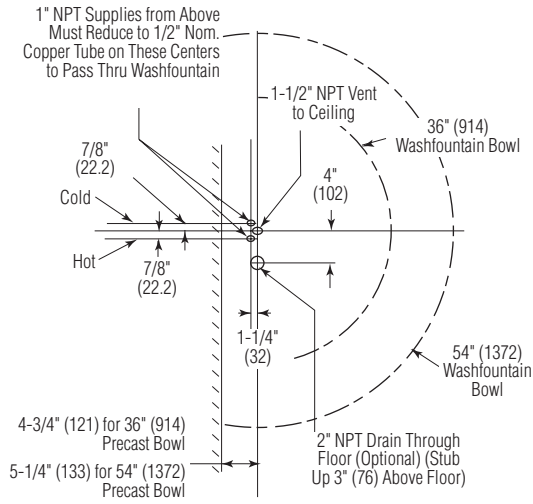
Rough-Ins – Semi-Circular (continued)

(mm)

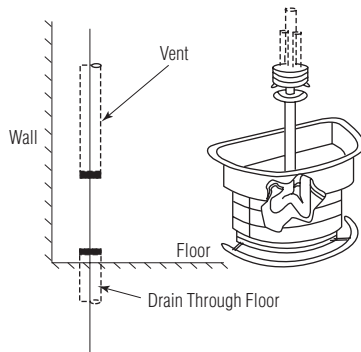
Type B

– Centrally rising vent with supplies from above.

Top View



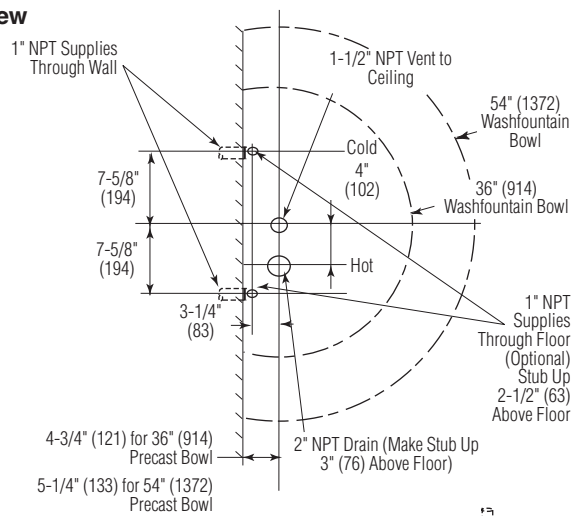
Side View



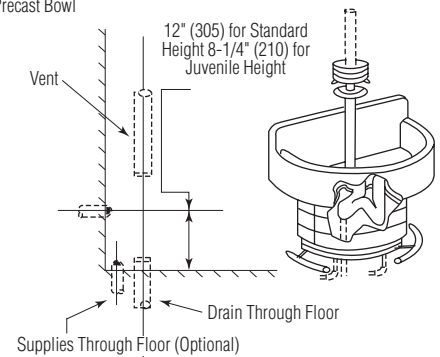
Type H

– Centrally rising vent with supplies from below.

Top View



Side View

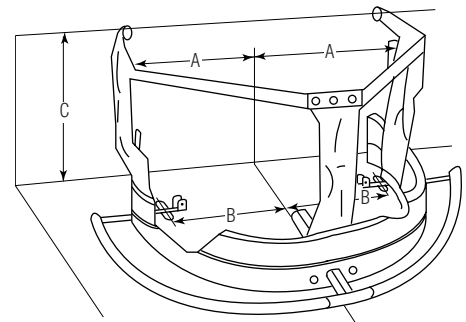


Dimensions – Pedestal Anchoring

Bowl Size	Standard Height			Juvenile Height		
	A	B	C	A	B	J
54" (1372)	16-1/2" (419)	14" (356)	18-1/4" (464)	16-1/2" (419)	14" (356)	14-1/4" (362)
36" (914)	11" (279)	8-5/8" (219)	18-1/4" (464)	11" (279)	8-5/8" (219)	14-1/4" (362)

Anchoring Pedestals

1. Place pedestal assembly as shown.
2. Anchor pedestal assembly to floor and wall with suitable wall fasteners.
Backing may be required in some types of wall construction.



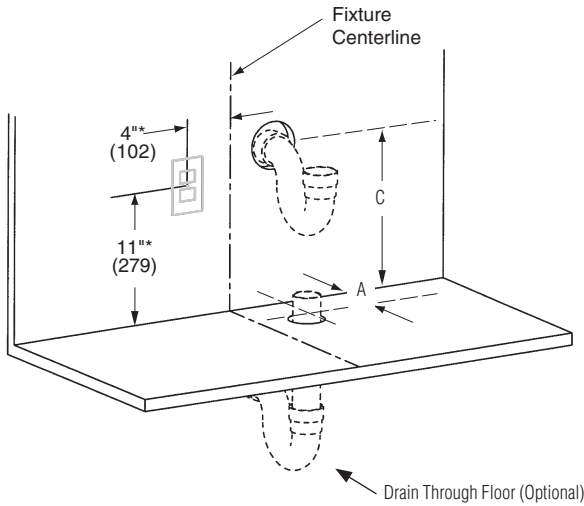


WF2603, WF2604, WF2605, WF2608 Terrazzo Classic Washfountains

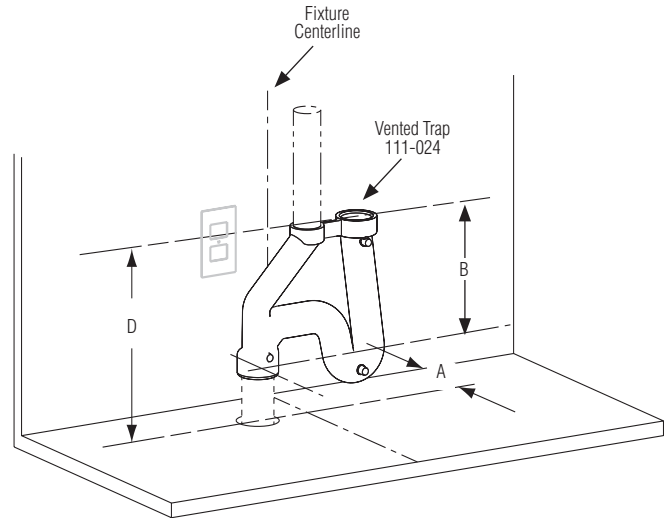
Rough-Ins – Semi-Circular (continued)

(mm)

Types A and O



Types B and H



* Suggested location of 120VAC GFCI electrical outlet. Always check local codes before installing. Outlet may be required to be in a remote location.

Model	Bowl Size	A (All Types)	B (Types B & H)	C (Types A & O)		D (Types B & H)	
				Standard Height	Juvenile Height	Standard Height	Juvenile Height
WF2604, WF2608	54" (1372)	5-1/4" (133)	9-3/4" (248)	6 to 13-1/4" (152 to 337)	6 to 10-1/4" (152 to 260)	18-5/8" (473)	14-5/8" (371)
WF2603, WF2605	36" (914)	4-3/4" (121)	9-3/4" (248)	6 to 13-1/4" (152 to 337)	6 to 10-1/4" (152 to 260)	18-5/8" (473)	14-5/8" (371)



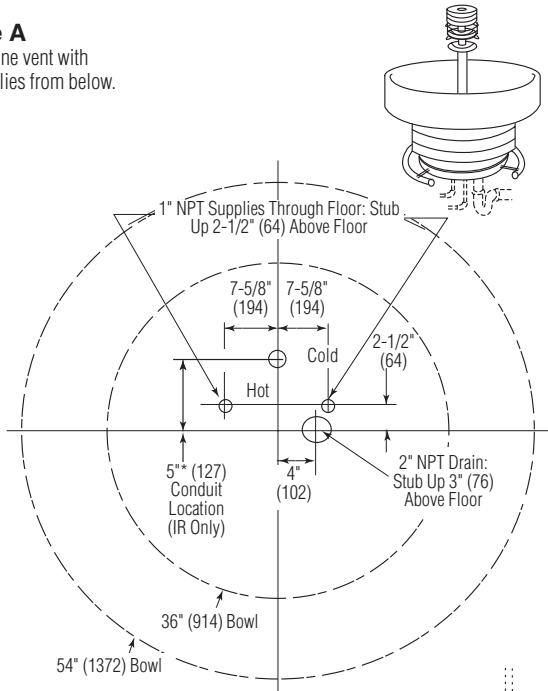
WF2603, WF2604, WF2605, WF2608 Terrazzo Classic Washfountains

(mm)

Rough-Ins – Circular

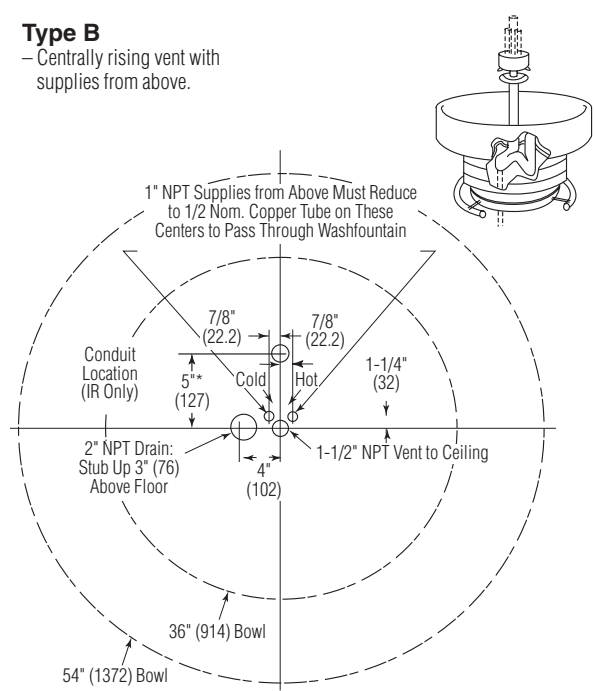
Type A

– Off-line vent with supplies from below.



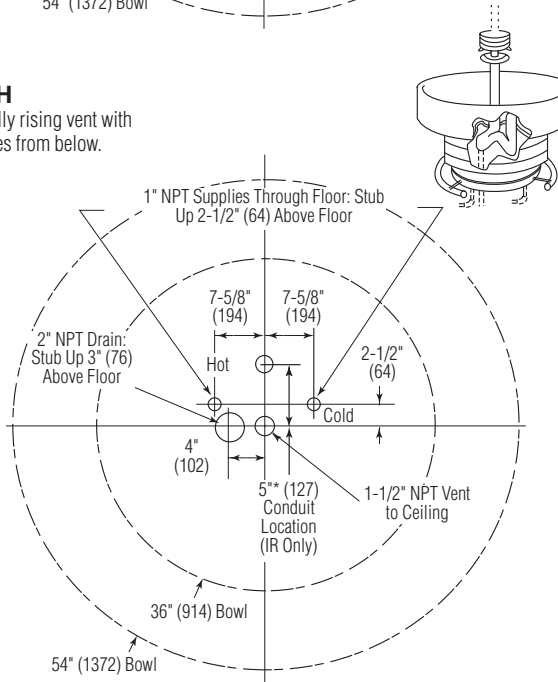
Type B

– Centrally rising vent with supplies from above.



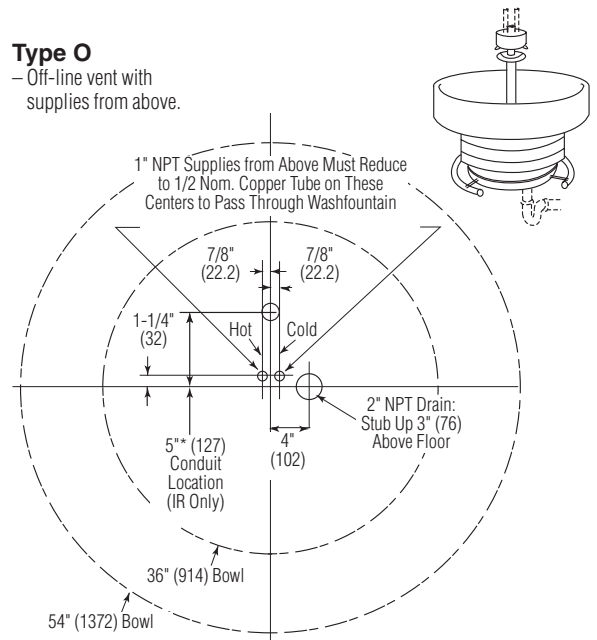
Type H

– Centrally rising vent with supplies from below.



Type O

– Off-line vent with supplies from above.



* Remote mounting of plug-in adapter with 120 VAC electrical supply to washfountain is recommended. See local electrical codes before roughing in. (This conduit location is only a recommendation.)