



**Model 250-15 — Surface-Mounted  
Bradex®**

- C-Fold/Multi-Fold Towels
- Tumbler Lock

### Product Materials

**UNIT:** 22 gauge stainless steel with exposed surfaces in architectural satin finish. Smooth corners, free of burrs and sharp edges. Tumbler lock keyed like other Bradley units. Cabinet hinged at bottom to allow easy filling. Refill indicator slot on face of cabinet. Rolled edge on dispenser opening.

### Capacity

525 multi-fold or 400 C-fold paper towels.

### Operation

Unit holds multi-fold or C-fold towels without use of special adapter.

### Installation

Verify all rough-in dimensions prior to installation. Secure to wall with mounting screws (not included) at holes provided. Mounting kit (#899-027) available through Bradley. Visit [bradleycorp.com](http://bradleycorp.com) for more information. Provide in-wall backing at mounting screw locations.

### Guide Specification

Surface-mounted towel dispenser shall be fabricated of type heavy duty, 22 gauge stainless steel with exposed surfaces in satin finish. Refill indicator on face of cabinet. Tumbler lock to secure hinged front panel. Towel dispenser capacity 525 multi-fold or 400 C-fold towels.

**Overall dimensions: 11"W x 15<sup>5</sup>/<sub>16</sub>"H x 4"D.**

### ADA Compliant

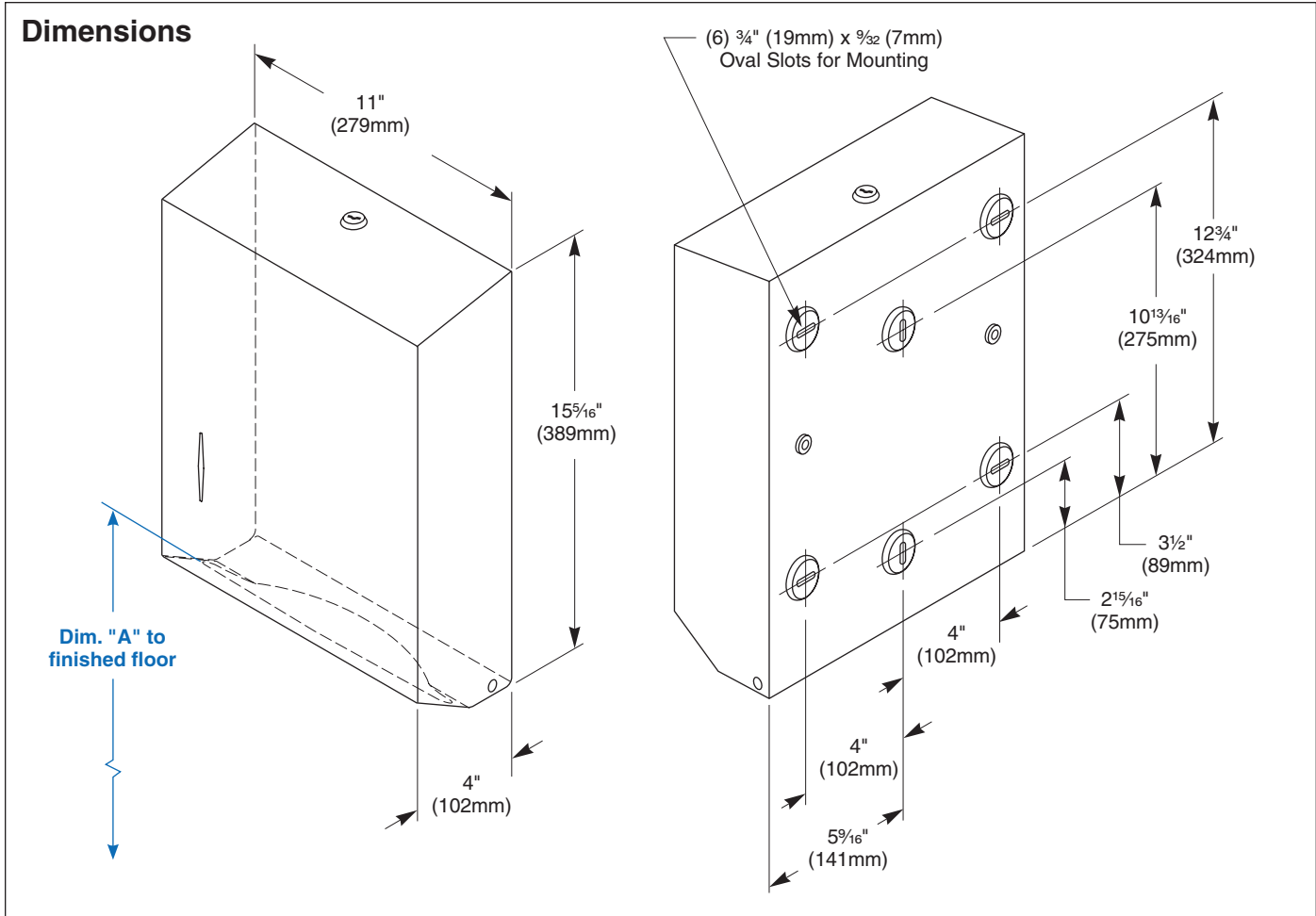
- Consult local and national accessibility codes for proper installation guidelines.
- Conformity and compliance to local and national codes is the responsibility of the installer.



### Optional Features

| Feature   | Suffix |
|---|--------|
| <input type="checkbox"/> Polished Stainless Steel | -78    |

Orders composed of products indicated as **Bradex®** will be available to ship in three days after receipt of order at the factory. There is no pricing penalty for this service from Bradley.



| Dim. "A" Key Surface:                        | For Dim. "A"                             | Top of Rough Wall Opening | Bottom of Rough Wall Opening |
|--|--|---------------------------|------------------------------|
| Paper towel top of opening to finished floor | 48" (1219mm)                             | 62 1/2" (1588mm)          | 47 3/16" (1199mm)            |
|  | 45" (1143mm)                             | 59 1/2" (1511mm)          | 44 3/16" (1122mm)            |
|  | 42" (1067mm)                             | 56 1/2" (1435mm)          | 41 3/16" (1046mm)            |
|  | 40" (1016mm)                             | 54 1/2" (1384mm)          | 39 3/16" (995mm)             |
| <b>Rough wall opening:</b>                   |  |                           |                              |
| Surface Mount:                               | No rough opening, see overall dimensions |                           |                              |

Orders composed of products indicated as **Bradex**® will be available to ship in three days after receipt of order at the factory. There is no pricing penalty for this service from Bradley.