

- The most environmentally friendly lav system available
- Soap, water and hand dryer, unique all-in-one patent pending design
- Includes hygienic, industry-leading .38gpm, hands-free infrared faucet
- Constructed of Terreon® Solid Surface Material
- Reliable plug-in, battery or NDITE® infrared activation
- ADA and ANSI Compliant

## Specifications

The Advocate Lav System's unique all-in-one design allows users to access soap, water and a hand dryer without leaving the hand washing station. This provides personal space and helps to prevent water from dripping off hands and on to the floor, making cleaning and maintenance easier while providing a safer restroom environment. The modularity allows for one to three users at a time. Pick and choose your basins and accessory modules within the 90" lav system. The LA-Series features a solid surface shelf over a one-of-a-kind integral bowl. This system also provides multi-height hand washing for adults, children, young children and those with disabilities.

## Construction

### Bowl/Shelf/Hand Dryer Housing

Constructed of Terreon, a densified solid surface material composed of polyester resin or Terreon®RE, a densified solid surface material composed of a bio-based resin and preconsumer recycled granules. Terreon and TerreonRE are resistant to chemicals, stains, burns and impact. Surface damage can be easily repaired with everyday cleansers or fine grit abrasives. Terreon and TerreonRE are certified by NAHB to meet ANSI Z124.3, Z124.6 and ANSI/ICPA SS-1-2001. Terreon and TerreonRE are GREENGUARD® certified as low-emitting materials.

### Cabinet Enclosure

The cabinets on the Advocate Lavatory System are 300 series stainless steel. The stainless steel panels are available in textured or satin finish.

### Trap Cover Enclosure

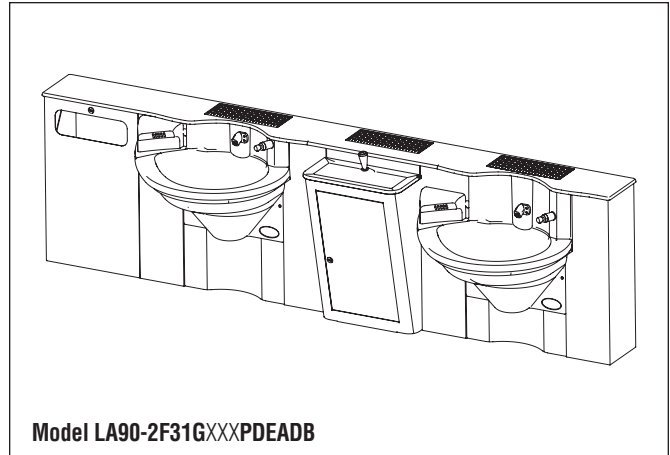
The trap cover of the Advocate lav system not only conceals plumbing and electrical connections, but also reduces time needed for installation and maintenance. The cover is made from Class A fire-rated polystyrene, featuring a "brush" metal trim cap to complement any decor.

### Mounting

The LA-Series includes 16 gauge stainless steel mounting channels with 12 gauge basin supports, eliminating the need for additional specifications and/or casework to support the fixture. All Advocate Lavatory System meet or exceed industry standards for load testing.

### Hand Dryer

Each hand washing station features an individual infrared-activated, energy efficient hand dryer. This virtually eliminates excess water on the floor. The low energy dryer utilizes only 650 watts (5.4 amps) and will dry hands in approximately 15–20 seconds at 80 dB with 50 CFM. Dryer motor, located inside the cabinet of the Advocate, has 3' power cord that plugs into a standard 110v outlet. Dryer has an on/off disconnect switch. Dryer must be unplugged for any service. Hand dryer requires a dedicated 15 AMP circuit, and must be properly grounded. GFI circuit protection is recommended.



Model LA90-2F31GXXXPDEADB

## Code Compliance and Certifications

### ANSI Standards

Terreon and TerreonRE are certified by NAHB to meet ANSI Z124.3, Z124.6 and ANSI/ICPA SS-1-2001.

### National & International Plumbing Approval

The Advocate Lav System meets the Uniform Plumbing Code (UPC), International Plumbing Code (IPC) and National Plumbing Code of Canada (NPC) approved through the International Association of Plumbing and Mechanical Officials (IAPMO). CSA B45, ASME A112.1.1.2005/CSA B125.1.2005.

### Standard Height Mounting

The standard height hand washing stations are designed to be mounted with a 34" rim height to comply with all ADA guidelines on reaches and clearances.

### Juvenile Height Mounting

The juvenile height hand washing stations are designed to be mounted at 31" rim height to comply with all ADA guidelines, and ANSI A117.1 standard, for reaches and clearances. Source: ADA Accessibility Guidelines for Buildings and Facilities (ADAAG) as amended through August 5, 2005.

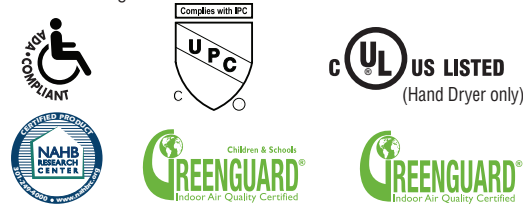
### Junior Height Mounting

The Junior Height option is designed to be mounted at a 28" rim height for use by younger children where ADA guidelines are not a concern.

### Hand Dryer

The Advocate Lavatory System hand dryer meets requirements for safety as listed by Underwriters Laboratories, Inc.

- This plumbing fixture is designed for hand washing only. It is not Intended to dispense water for human consumption through drinking or for preparation of food or beverages.



Protected by one or more of the following U.S. Patents: D588,676, D595,521. Other Patents Pending.

## Standard Equipment

LA90 Advocate lavatory system features two or three hand washing stations, with .38gpm flow and one hand dryer for each station. Cabinet is 300 series stainless steel. Heavy gauge stainless steel mounting channels and brackets. Trap cover is easily removed for service and encloses the following fittings: offset drain; P-trap; flexible stainless steel supply connections; and ASSE 1070 Navigator® thermostatic mixing valve with stop valves.

## Activation Controls

### Infrared Sensor

The sensor module uses a conical infrared transmitting beam, creating a specific detection area near the faucet spout. Adaptive-style sensor shall learn installation environment upon power-up and react (activate) when the user's hands enter the detection area. A timing turn-off delay of 2–3 seconds results in a smooth, controlled hand-washing operation. The Bradley adaptive sensor is not affected by varying skin tones or darkness. Direct sunlight or bright washroom lights (up to 10,000 foot candles) will not activate the system.

- Low Voltage Transformer – A Class II, UL/CSA-listed 110/24 VAC, plug-in transformer powers the solenoid valves. The transformer, furnished as standard equipment, plugs into a standard GFCI protected electrical outlet.

### Battery Infrared Sensor

Each battery-powered sensor uses a zone-focused infrared transmitting beam, creating a large detection area. The sensor is not affected by varying skin tones or darkness. When hands enter the detection area, the sensor starts water flow by opening the valve electronically. When hands leave the detection area, the sensor stops the flow of water by closing the valve. Each station is powered by a single 6-volt DC lithium battery. Battery type is Duracell® DL 223A or equivalent (batteries included).

### NDITE Infrared Control

The photovoltaic cells are permanently embedded in the top cover with a clear view of Terreon. The NDITE power management module is a proprietary unit that stores and provides power to the sensors and solenoid. This efficient module allows the system to work without batteries, eliminating the need to change or dispose of batteries. Each NDITE-powered sensor uses a conical-shaped transmitting beam, creating a wide detection area. The detection area projects forward 15° to each side and 10° below horizontal. The adaptive infrared sensor automatically adapts the beam after power is turned on. Each lavatory system is powered by one NDITE power management module. Minimum of 400 lux (37fc) required. Restrooms with 400 lux of lighting will provide a sufficient amount of light to power the system. For more information on NDITE technology, visit [bradleycorp.com](http://bradleycorp.com).

### Valve

24V, 50/60 Hz, ½" NPT electronic, electrically actuated solenoid valve provides reliable performance since there are few moving parts and its operation is unaffected by most chemicals and minerals often present in municipal water supplies. Neither the solenoid valve nor the infrared sensor module need adjustment for range or timing.

### Flow Control/Rate

Operating water pressure range is 40–100 psi. Flow regulator keeps flow rate constant at all pressures. The flow is a spray pattern at a rate of .38 gpm.

## Optional Equipment

### Soap Dispensers

Each hand washing station features an optional horizontally-mounted pump-style valve within the basin area. This eliminates any soap from dripping on counters or onto the floor, minimizing slip hazards and easing cleaning. Each dispenser features an integral check valve to hold prime for consistent reliable operation. Dispenser is compatible with typical one-gallon bottles of soap and is securely located within the stainless steel frame. Soap containers are easily replaceable through the top of the unit.

### Towel Dispenser

The Advocate Towel Dispenser module features a solid surface cover and stainless steel cabinet. towel dispenser installs to heavy gauge stainless steel mounting channels. Install this Towel Dispenser for end-users who may prefer a towel dry over hand dryers. Uses one standard center-pull towel roll up to 9" wide x 9" diameter. For more information on the Advocate Towel Dispenser, visit [bradleycorp.com](http://bradleycorp.com).

### Waste Receptacle

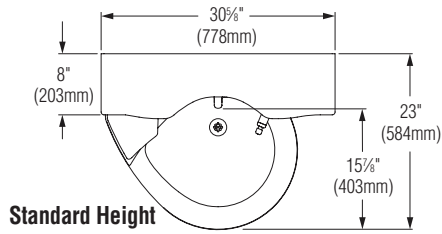
Waste Receptacle module features a solid surface cover and stainless steel cabinet. The waste receptacle installs to heavy gauge stainless steel mounting channels. Seven-gallon capacity liner is made from type 1, impact resistant PVC and features a handle for easy removal. For more information on the Terreon Waste Receptacle for the Advocate LA-Series, visit [bradleycorp.com](http://bradleycorp.com).

### Storage Cabinet

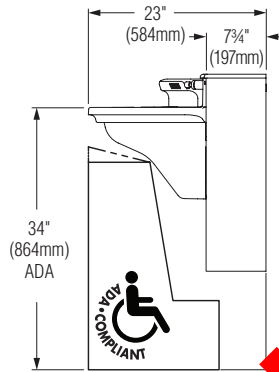
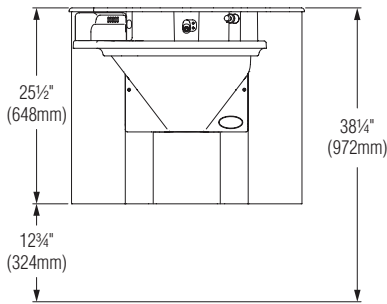
The Advocate Storage Cabinet module features a solid surface cover and stainless steel cabinet with two stainless steel shelves. The storage cabinet installs to heavy gauge stainless steel mounting channels. Install this storage cabinet for cleaning and maintenance purposes to quickly freshen up the restroom area. Capacity is 2.4 cu. ft. For more information on the Advocate Storage Cabinet, visit [bradleycorp.com](http://bradleycorp.com).

**DISCONTINUED**

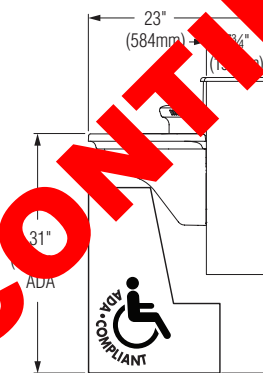
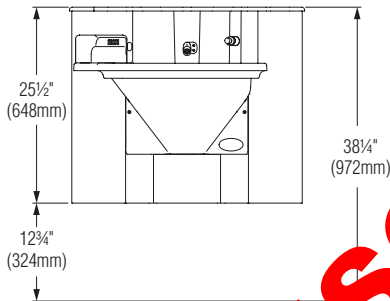
**Dimensions for LA-Series Advocate Lavatory Systems and Accessories**



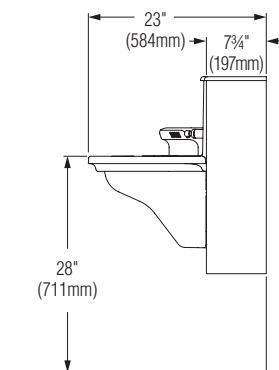
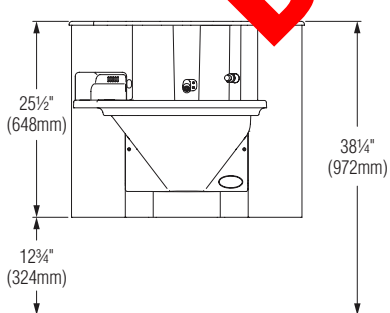
**Standard Height**



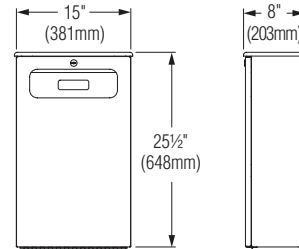
**Juvenile Height**



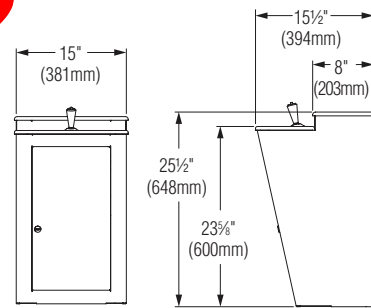
**Junior Height**



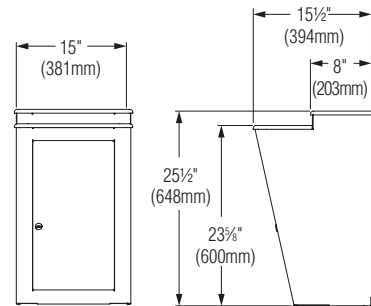
**Optional Waste Receptacle**



**Optional Towel Dispenser**



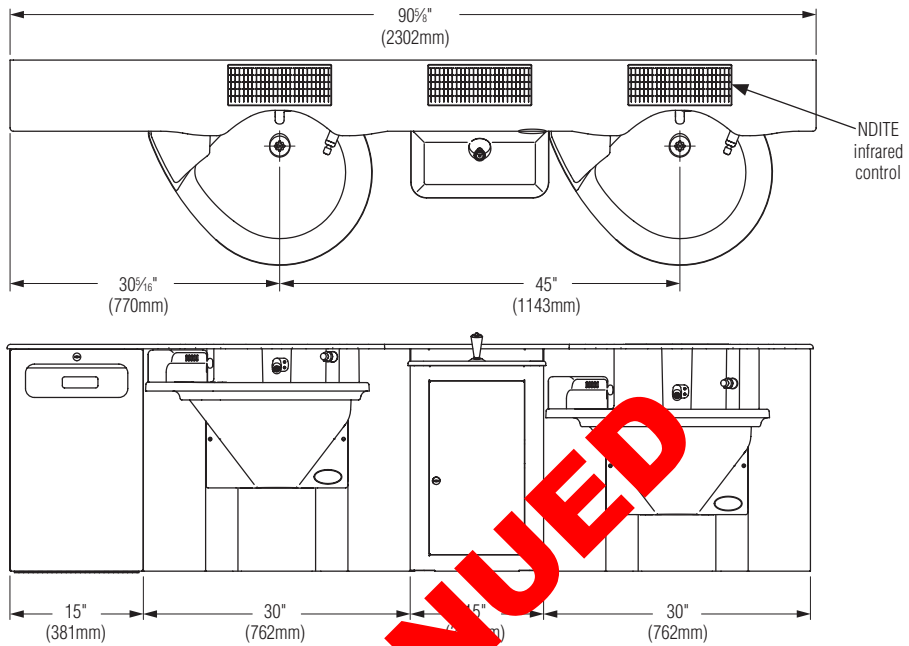
**Optional Storage Cabinet**



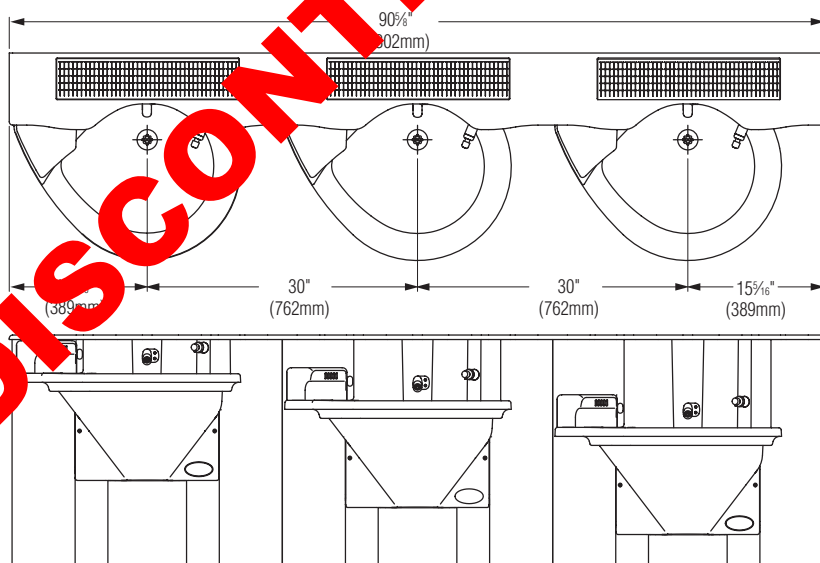
**DISCONTINUED**

**Dimensions for LA90 Advocate Lavatory Systems**

**Model LA90-2F31GXXXPDEADB**  
**(Sample Configuration)**



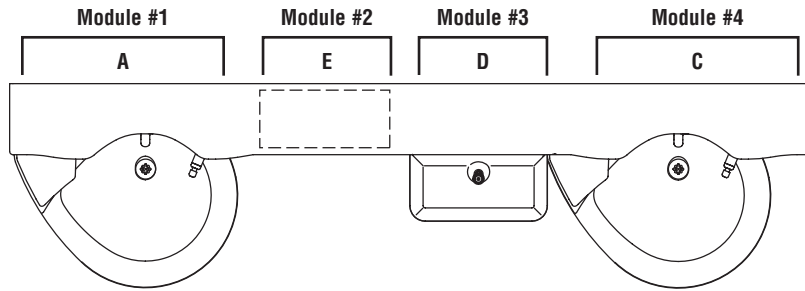
**Model LA90-2F31GXXXPDABCO**  
**(Sample Configuration)**



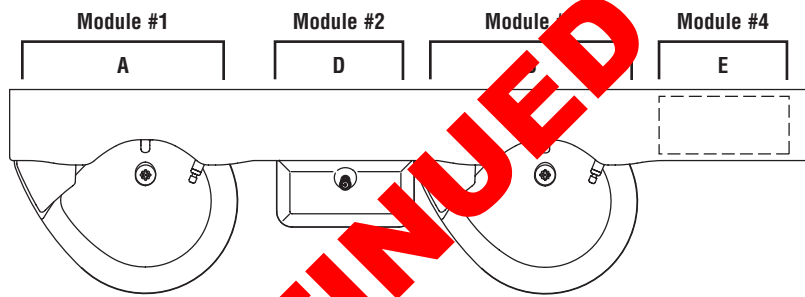
DISCONTINUED

**Sample Configurations for LA90 Advocate Lavatory Systems**

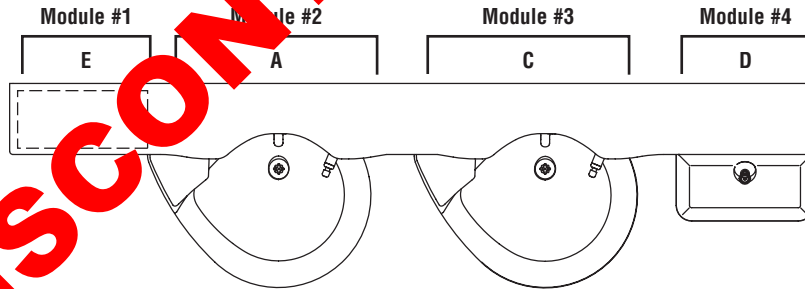
**Model LA90-2A31XXXXXAEDC**



**Model LA90-2A31XXXXXADBE**



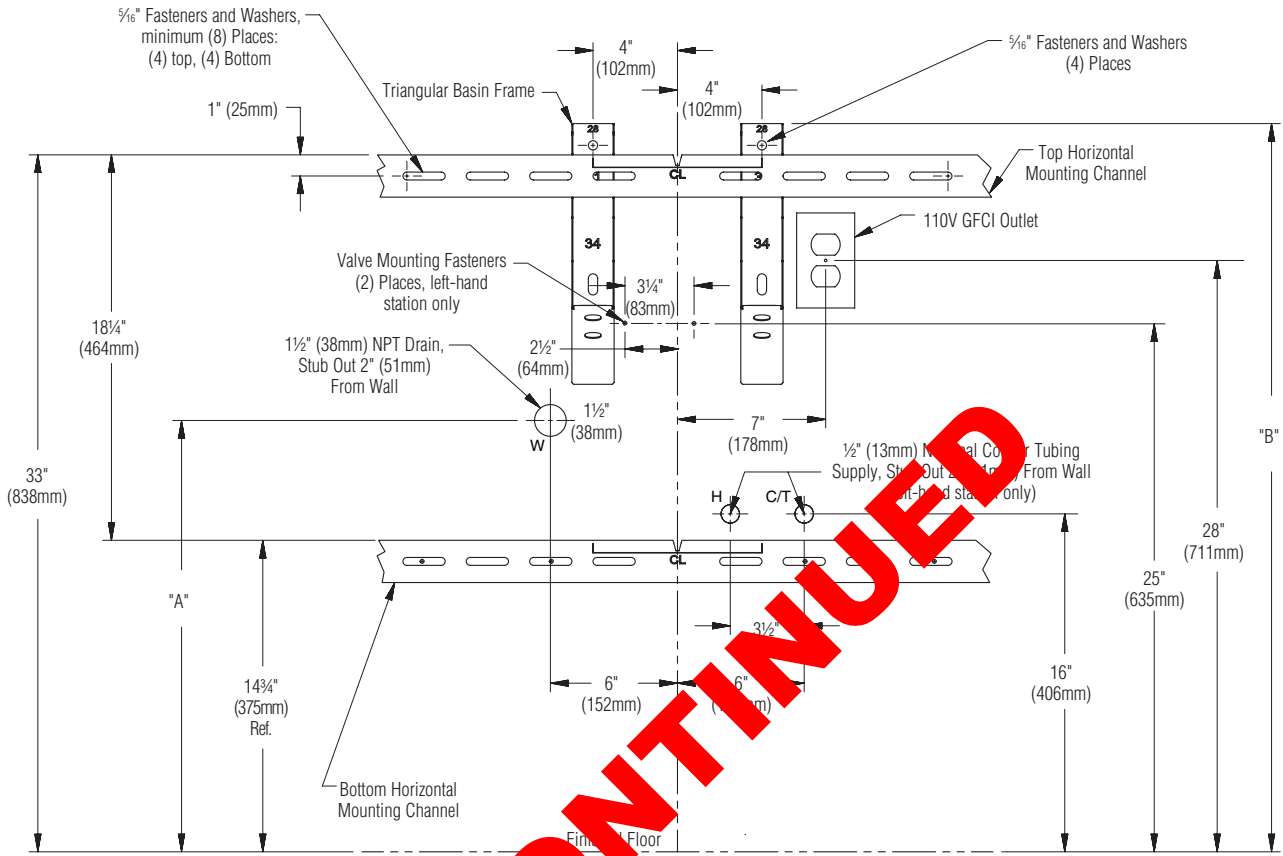
**Model LA90-2A31XXXXXEACD**



**IMPORTANT:** The LA90 is available in a wide variety of configurations. Reference the various drawings for rim heights and accessory modules to create a specific model using the order codes.

DISCONTINUED

**Rough-Ins for LA90 Advocate Lavatory Systems**

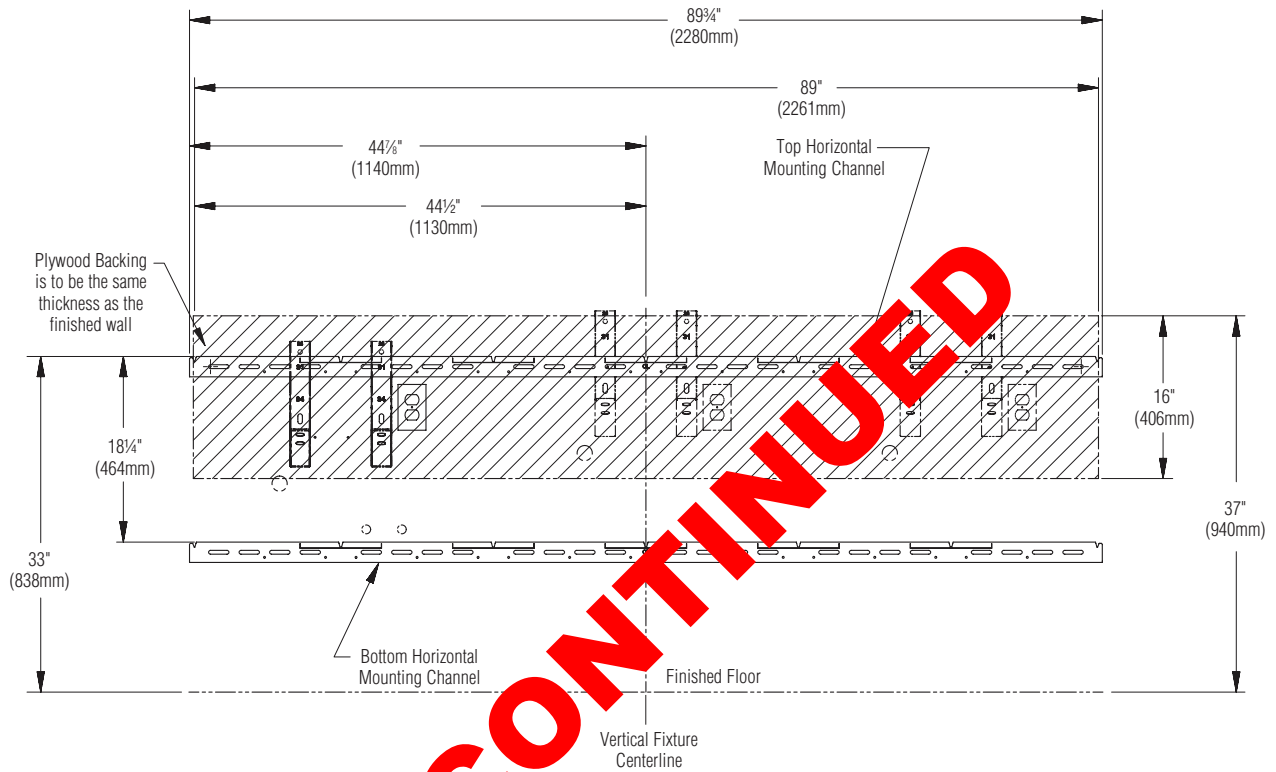


	"A" Dimension	"B" Dimension
Standard Height	23 1/2" (597mm)	37 1/2" (953mm)
Juvenile Height	20 1/2" (521mm)	34 1/2" (876mm)
Junior Height	17 1/2" (445mm)	31 1/2" (800mm)

**Rough-In Notes:**

1. Mark a horizontal line 33" above the finished floor. Mark a vertical line at the top channel center notch. Loosely secure the top channel member to the wall in two locations using the channel center top notch to locate the channel with the horizontal/vertical fixture centerline. The channel must be horizontal to the floor and positioned with the notches on top of the channel.
2. Slide the triangular basin frame pairs behind the top channel using the top channel notches and the basin frame notches to locate the basin frame members at the proper height (34" standard height, 31" juvenile height or 28" junior height).
3. Secure the top channel/basin frame members to the wall with suitable 1/16" fasteners. Use appropriate backing at these locations. Use a minimum of four fasteners per channel member. **DO NOT OVERTIGHTEN.**
4. Secure the bottom channel to the wall 18 1/4" below the top channel using the center notch to locate the channel (minimum four fasteners). To ensure proper fit-up, the top and bottom channels must be parallel to each other.
5. Secure the triangular frame members to the wall using two fasteners for each member.
6. Insert the lower tab on the hinge into the notch in the upper channel (right-hand and left-hand side of the channel). Mark and pre-drill the hole locations in the wall through the hinge brackets. Make sure there is solid wall backing at the bracket mounting locations. Install #10 fasteners through the hinge key holes. Remove the hinge from the wall and set aside for installation of the Terreon cover.

**Rough-Ins for LA90 Advocate Lavatory Systems with Plywood Backing**



<b>Model</b>	
<input type="checkbox"/> LA90 Advocate Lavatory System – LA-Series	
<b>Standard Selections</b> (Must select one from each category)	
<b>Activation</b>	
<input type="checkbox"/> 2A ..... Faucet Spout with Adaptive Infrared Control	
<input type="checkbox"/> 2E ..... Faucet Spout with Battery Infrared Control	
<input type="checkbox"/> 2F ..... Faucet Spout with NDITE Infrared Control	
<b>Valve</b>	
<input type="checkbox"/> 2 ..... Tempered Line	
<input type="checkbox"/> 3 ..... Navigator Thermostatic Mixing Valve	
<input type="checkbox"/> 0 ..... No Valve	
<b>Soap Dispenser</b>	
<input type="checkbox"/> 1 ..... Mechanical Liquid Soap Dispenser	
<input type="checkbox"/> 0 ..... No Soap Dispenser	
<b>P-Trap</b>	
<input type="checkbox"/> D ..... Chrome (Single)	
<input type="checkbox"/> G ..... Polypropylene (Single)	
<b>Color of Terreon Bowl/Dryer Housing/Cover (select one):</b>	
<i>Standard Colors</i>	
<input type="checkbox"/> E-GRAY ..... Empire Gray	<input type="checkbox"/> GRAPH ..... Graphite
<input type="checkbox"/> PEP-WHT ..... Peppered White	<input type="checkbox"/> LANNON ..... Lannonstone
<input type="checkbox"/> SAND ..... Sandtrap	<input type="checkbox"/> COBBLE ..... Cobblestone
<input type="checkbox"/> CHAR ..... Charcoal Gray	<input type="checkbox"/> WHT SAND ..... White Sand
<input type="checkbox"/> JADE ..... Jade	<input type="checkbox"/> LONDON GRAY ..... London Gray
<input type="checkbox"/> O-TAUPE ..... Organic Taupe	
<i>Element Colors</i>	
<input type="checkbox"/> SS-GRAY ..... Soapstone Gray	<input type="checkbox"/> CA-TAN ..... Canyon Tan
<i>Designer Colors*</i>	
<input type="checkbox"/> ARC-CHIP ..... Arctic Chip	<input type="checkbox"/> COFFEE ..... Coffee Bean
<input type="checkbox"/> S-SAGE ..... Summer Sage	<input type="checkbox"/> CORN ..... Cornfield
<input type="checkbox"/> RIVER ..... Riverstone	<input type="checkbox"/> BLUESKY ..... Blue Sky
<input type="checkbox"/> MYSTIC-M ..... Mystic Moss	<input type="checkbox"/> HILLSIDE ..... Hill Side
<input type="checkbox"/> STAR-D ..... Stardust	<input type="checkbox"/> MOUNTAIN ..... Mountain Top
<i>TerreonRE Colors*</i>	
<input type="checkbox"/> BIRCH-BARK ..... Birch Bark	<input type="checkbox"/> MOONDUST ..... Moon Dust
<input type="checkbox"/> DUSK ..... Dusk	<input type="checkbox"/> OAT ..... Oat
<input type="checkbox"/> FERN ..... Fern	<input type="checkbox"/> OCEAN-MIST ..... Ocean Mist
<input type="checkbox"/> MAIZE ..... Maize	<input type="checkbox"/> OLIVE ..... Olive
<b>Cabinet Enclosure</b>	
<input type="checkbox"/> 1 ..... Stainless Steel, Satin	
<input type="checkbox"/> 2 ..... Stainless Steel, Textured 5WL	

\* Designer and TerreonRE colors available at an additional charge (non-configurable, non-returnable).

<b>Trap Cover</b>	
<input type="checkbox"/> PD ..... High Impact Polymer, Brushed Steel	
<b>Module #1 Style and Placement</b> (Select Modules Left-to-Right in Desired Order)	
<input type="checkbox"/> A ..... Basin, Standard ADA 34" Rim Height	
<input type="checkbox"/> B ..... Basin, Juvenile ADA 31" Rim Height	
<input type="checkbox"/> C ..... Basin, Junior 28" Rim Height	
<input type="checkbox"/> D ..... Accessory — Towel Dispenser	
<input type="checkbox"/> E ..... Accessory — Waste Receptacle	
<input type="checkbox"/> F ..... Accessory — Storage Cabinet	
<b>Module #2 Style and Placement</b> (Select Modules Left-to-Right in Desired Order)	
<input type="checkbox"/> A ..... Basin, Standard ADA 34" Rim Height	
<input type="checkbox"/> B ..... Basin, Juvenile ADA 31" Rim Height	
<input type="checkbox"/> C ..... Basin, Junior 28" Rim Height	
<input type="checkbox"/> D ..... Accessory — Towel Dispenser	
<input type="checkbox"/> E ..... Accessory — Waste Receptacle	
<input type="checkbox"/> F ..... Accessory — Storage Cabinet	
<b>Module #3 Style and Placement</b> (Select Modules Left-to-Right in Desired Order)	
<input type="checkbox"/> A ..... Basin, Standard ADA 34" Rim Height	
<input type="checkbox"/> B ..... Basin, Juvenile ADA 31" Rim Height	
<input type="checkbox"/> C ..... Basin, Junior 28" Rim Height	
<input type="checkbox"/> D ..... Accessory — Towel Dispenser	
<input type="checkbox"/> E ..... Accessory — Waste Receptacle	
<input type="checkbox"/> F ..... Accessory — Storage Cabinet	
<b>Module #4 Style and Placement</b> (Select Modules Left-to-Right in Desired Order)	
<input type="checkbox"/> A ..... Basin, Standard ADA 34" Rim Height	
<input type="checkbox"/> B ..... Basin, Juvenile ADA 31" Rim Height	
<input type="checkbox"/> C ..... Basin, Junior 28" Rim Height	
<input type="checkbox"/> D ..... Accessory — Towel Dispenser	
<input type="checkbox"/> E ..... Accessory — Waste Receptacle	
<input type="checkbox"/> F ..... Accessory — Storage Cabinet	
<input type="checkbox"/> 0 ..... No Module (3-basin configuration only)	

DISCONTINUED