



LVRD2

Verge® Wash Basin – LVR-Series

- ADA and TAS Compliant
- Serves One or Two Users at a Time
- Standard Lavatory Spacing on 30" Centers
- Elongated Basin is Constructed of Evero® Natural Quartz Surface
- Select a Bradley Faucet or Faucet by Others
- Available in a variety of colors

Specifications

Accommodates one or two users. The units handle washroom traffic quickly and economically, while providing each user with personal space. The Verge® Wash Basin is designed with standard lavatory spacing positioned on 30" centers.

Construction

Basin

Evero Geo Series is a natural quartz surface made from a blend of bio-based resin, natural quartz, granite and other exotic minerals. It is made of 25% recycled content.

Evero Pearl Series is a natural quartz surface made with bio-based resin, sea shells, recycled glass and natural quartz. It is made of 70% recycled content.

Variations in the natural stone color, pattern, size, shape and shade are inherent. Due to these unique characteristics, please expect subtle shade variations when units are installed adjacent to each other.

Access Panel

Panel is composed of decorative 300 series stainless steel.

Support Frame

Basin assembly and access panel are secured to a heavy gauge stainless steel support frame mounted to wall.

Vandal Resistance

Water supplies, valves, waste assembly and other optional items are concealed within the panel/frame.

Faucet Options

There are several hands-free faucet options available with the Verge Wash Basin. Choose from CAP-DCA, IR-DCD, or IR-DCG. For more information on these standard faucet options and plug-in adapters, please enter the model number in the search box at www.bradleycorp.com. 4" Centerset and Centershank faucet hole drillings are available for faucets by others.

Code Compliance and Certifications

ANSI Standards

Evero Natural Quartz Surface meets the requirements of CSA B45.5/IAPMO Z124.

cUPC Approval

Verge Wash Basin is Uniform Plumbing Code (UPC), International Plumbing Code (IPC) and National Plumbing Code of Canada (NPC) approved through the International Association of Plumbing and Mechanical Officials (IAPMO). Manufactured in compliance with IGC 156, CSA B45 Series (R08) & ASME A112.18.1/CSA B125.1.

This plumbing fixture is designed for hand washing only. It is not Intended to dispense water for human consumption through drinking or for preparation of food or beverages.

Standard product selections contained within this document are third party **CERTIFIED** to NSF/ANSI 372 meeting the Lead-Free content requirement. Any product configured with custom options will be **COMPLIANT** with NSF/ANSI 372 meeting the Lead-Free content requirement.

Protected by one or more of the following U.S. Patents: D629,877 S; D640,778 S; and D649232 S.



Models (Must select one)

Model	Description
<input type="checkbox"/> LVRD2	Verge Wash Basin – LVRD-Series, Two-Station

Standard Selections (Must select one from each category)

Faucet Type (select one)

<input type="checkbox"/> IR-DCG	Infrared Faucet Battery	<input type="checkbox"/> 4" SET	4" Centerset Drilling (1-1/4" Drillings Only)
<input type="checkbox"/> IR-DCD	Infrared Faucet Battery	<input type="checkbox"/> SHANK	Centershank Drilling (1-1/4" Drillings Only)
<input type="checkbox"/> CAP-DCA	Capacitive Faucet Battery		

Soap Dispenser Type (select one)

<input type="checkbox"/> 6324-68	32-oz. Plastic Globe, 4" Spout
<input type="checkbox"/> 6315-KT0000	Battery IR Metering Soap Dispenser Kit (with batteries and 1,000-shot soap)
<input type="checkbox"/> 6334	16 oz. Plastic Globe, 3-1/2" Spout
<input type="checkbox"/> SDO	1-1/4" Soap Drilling Only
<input type="checkbox"/> NSD	No Soap Dispenser/No Drilling

Water Supply Type (select one)

<input type="checkbox"/> TMA	Navigator® Thermostatic Mixing Assembly (Hot and Cold Supplies) w/Stops and Supply Hoses
<input type="checkbox"/> NONE	No Valve Option Selected (includes stops and supply hoses)

Color of Evero® Basin (select one)

Geo Series

<input type="checkbox"/> ANDORRA	Andorra	<input type="checkbox"/> EVEREST	Everest	<input type="checkbox"/> MYKONOS	Mykonos
<input type="checkbox"/> ANTARCTICA	Antarctica	<input type="checkbox"/> GLACIER	Glacier Bay	<input type="checkbox"/> PATAGONIA	Patagonia
<input type="checkbox"/> BLACK-SEA	Black Sea	<input type="checkbox"/> KALAHARI	Kalahari	<input type="checkbox"/> SIERRA	Sierra Madre
<input type="checkbox"/> DENALI	Denali	<input type="checkbox"/> MOJAVE	Mojave	<input type="checkbox"/> YUKON	Yukon

Pearl Series (available at an additional charge) (Non-cancelable, non-returnable)

<input type="checkbox"/> AKOYA	Akoya	<input type="checkbox"/> BLACK-MOON	Black Moon
--------------------------------	-------	-------------------------------------	------------

Access Panel Type (select one)

<input type="checkbox"/> STAIN	Stainless Steel
--------------------------------	-----------------

Waste Assembly Type:

<input type="checkbox"/> S-POLY	Single Plastic Polypropylene P-Trap
<input type="checkbox"/> S-CHROME	Single Chrome-Plated P-Trap

Optional Selections

Faucet Adapter Type:

<input type="checkbox"/> PT	Plug-in adapter to convert battery operated CAP-DCA, IR-DCD or IR-DCG
-----------------------------	---

Soap Adapter Type:

<input type="checkbox"/> P19-231F	Plug-in adapter - 6315 soap dispenser (must order as a separate line item)
-----------------------------------	--

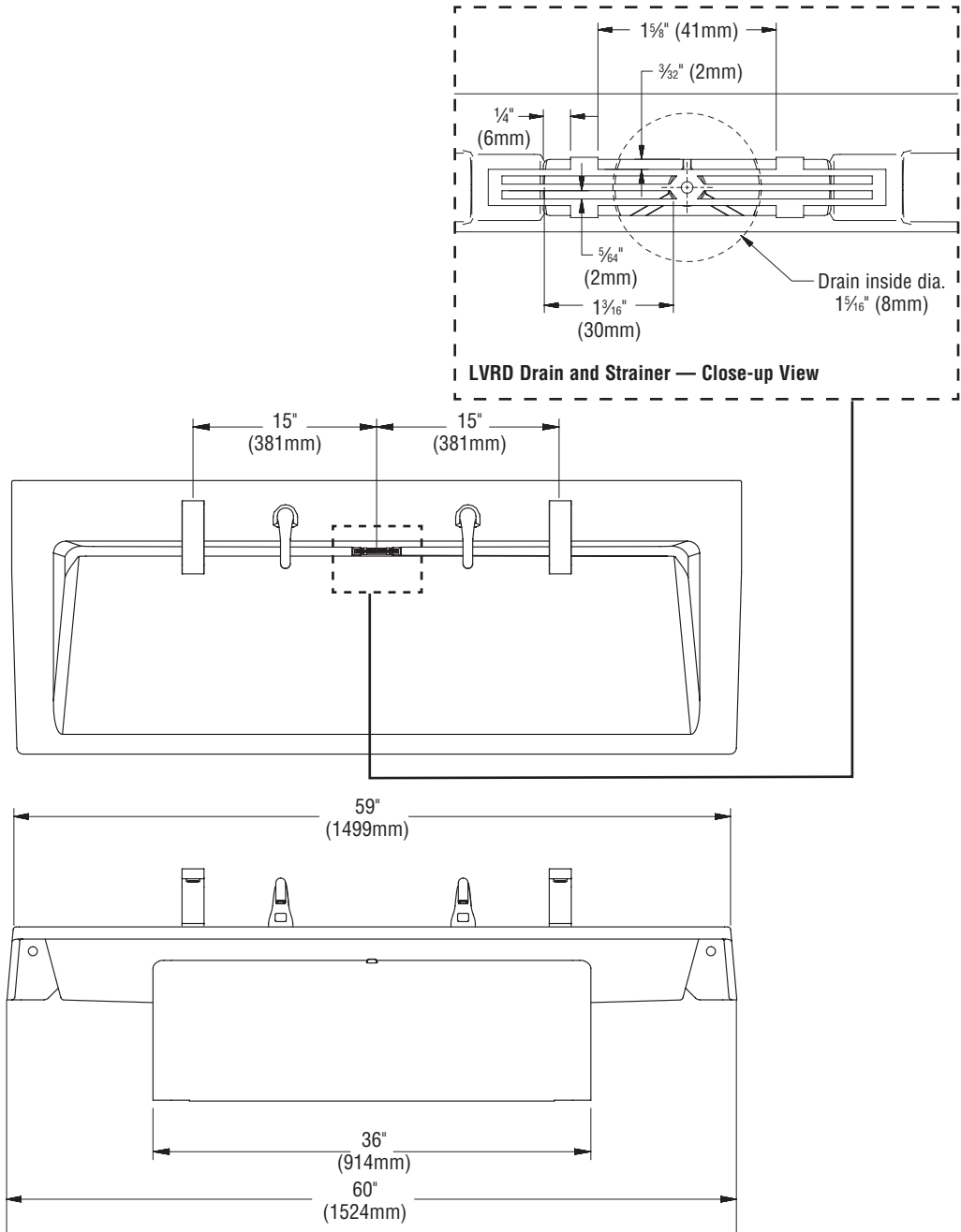
For more information on Evero Natural Quartz Surface, faucets, valves, transformers, and the sensor-operated soap dispenser, please visit bradleycorp.com.





LVRD2 Verge® Wash Basin – LVR-Series

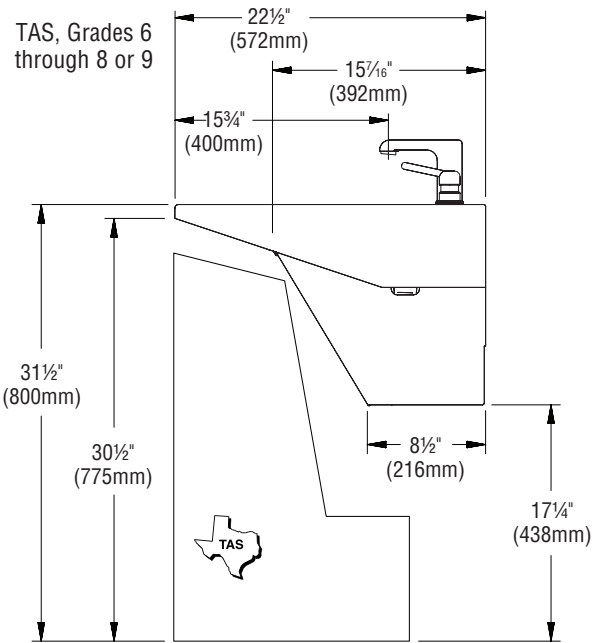
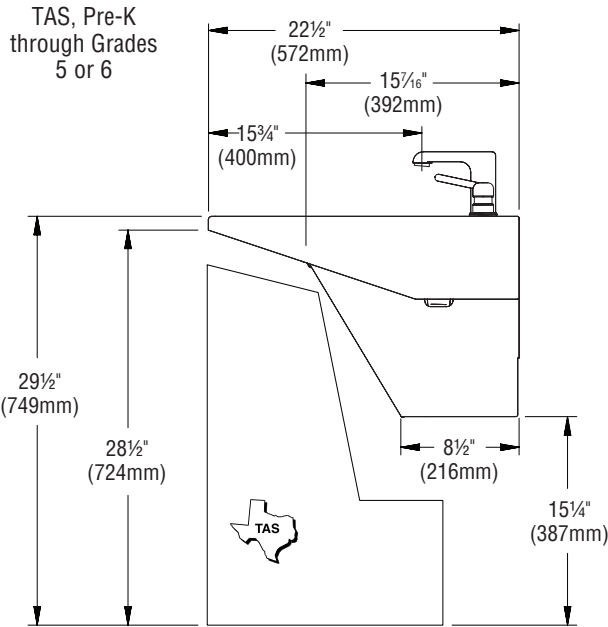
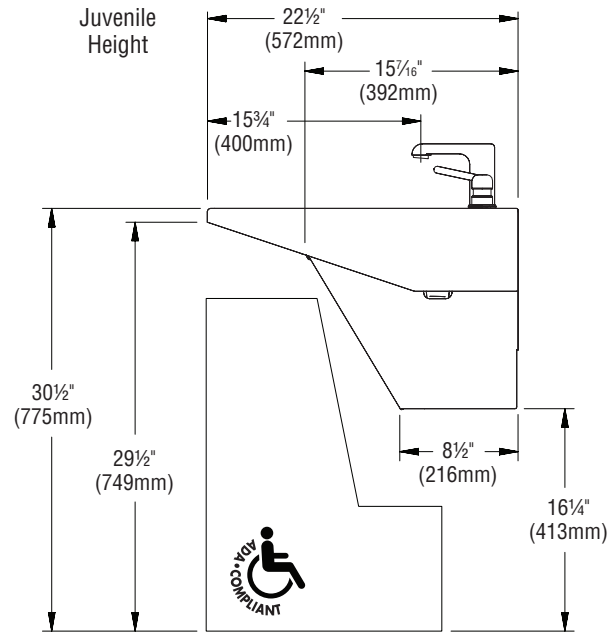
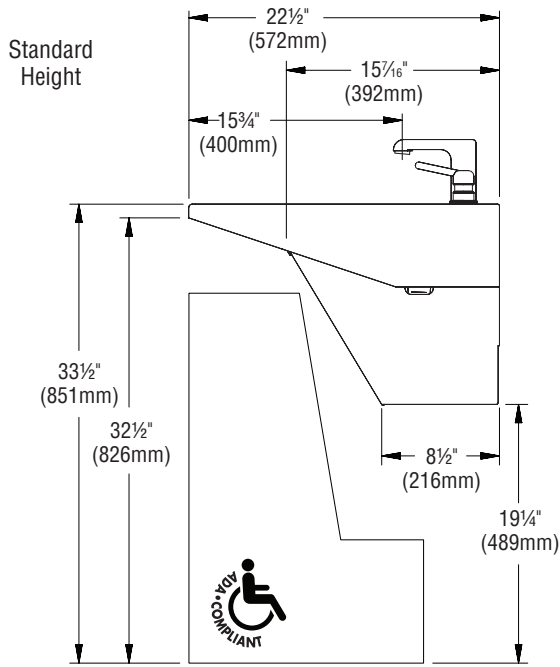
Dimensions for LVRD2 Verge Wash Basin





LVRD2 Verge® Wash Basin – LVR-Series

Dimensions for LVRD2 Verge Wash Basin



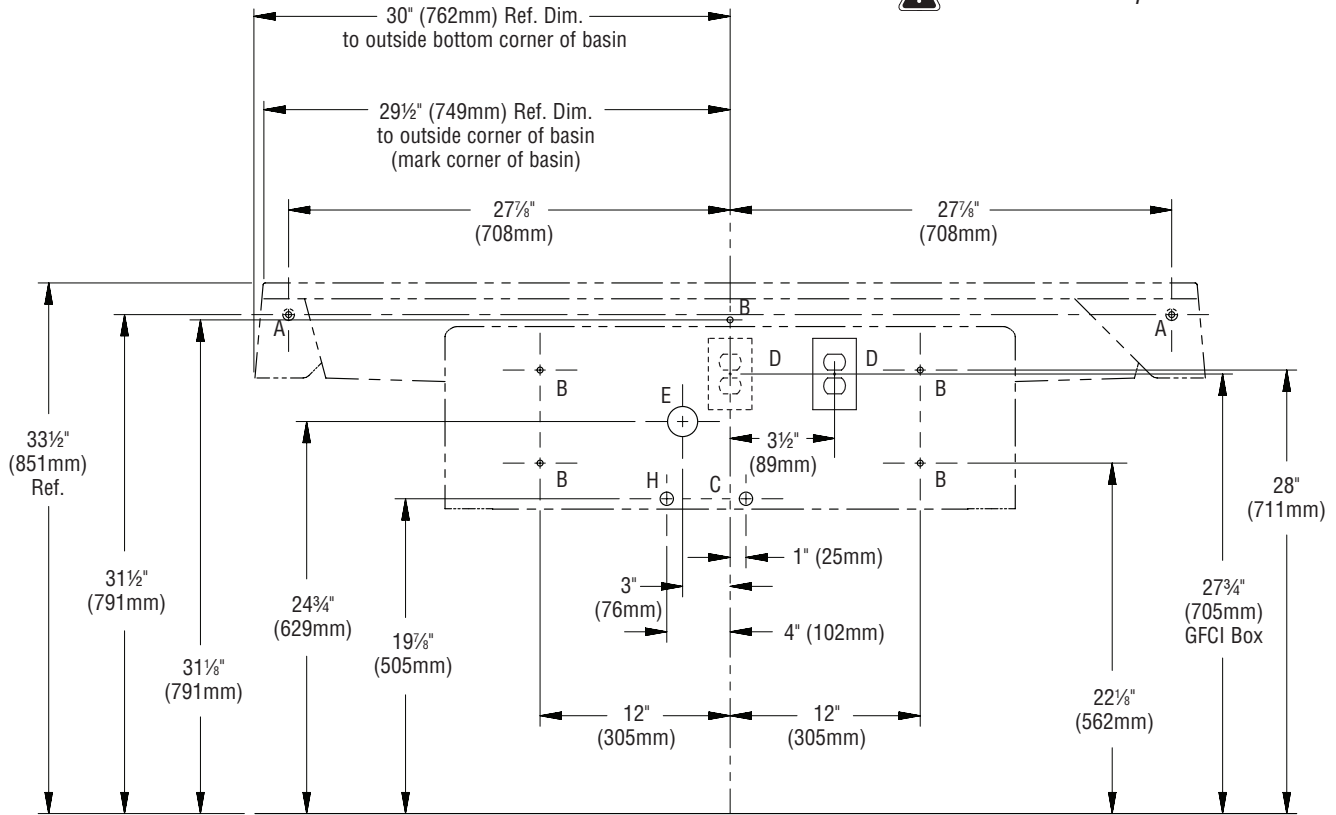


LVRD2 Verge® Wash Basin – LVR-Series

Rough-Ins for LVRD2 Verge Wash Basin

Standard rough-in shown.

Reinforce wall at points A and B.



CODE	DESCRIPTION	QTY.
A	3/8" Lav Deck Bowl Anchors with a Minimum Pull-Out Force of 1,000 lbs. (reinforce walls at anchor points)	2
B	3/8" Lav Deck Frame Anchors with a Minimum Pull-Out Force of 1,000 lbs. (reinforce walls at anchor points)	5
H, C	1/2" Hot/Cold Supplies, Stub-Out 2" From Wall	1
D	110v GFI Protected Electrical Outlet (AC faucet and soap only) <i>Two single outlets are required for CAP-DCA faucets due to the size of the transformers.</i>	2
E	1 1/2" NPT Drain, Stub-Out 2" from Wall	1

RIM HEIGHT	VERTICAL HEIGHT ADJUSTMENTS FOR CODES A-E and H	FIXTURE STYLE
33 1/2"	None	Standard Height
31 1/2"	Subtract 2"	TAS, Grades 6 through 8 or 9
29 1/2"	Subtract 4"	TAS, Pre-K through Grades 5 or 6
30 1/2"	Subtract 3"	Juvenile Height