

- Polished Chrome Finish
- Surface-Mounted
- Upscale, Contemporary Design

Product Materials

All Products

Wall Plate: zinc-plated steel
Escutcheon: chrome-plated zamak

Single and Double Towel Bars, Towel Ring and Toilet Paper Holder

Tube & Pillar: chrome-plated stainless steel

Robe Hook

Hook: chrome-plated zamak

Installation

Verify all rough-in dimensions prior to installation. Secure wall plate to wall with hardware (included) at holes provided. With escutcheon set screw on the bottom, align top end of escutcheon plate interior to top of wall plate. Pivot escutcheon plate(s) down in position and tighten concealed set screw to lock unit in place.

Guide Specification

Surface-mounted Single and Double Towel Bars shall be fabricated of chrome-plated stainless steel and shall include an escutcheon fabricated of chrome-plated zamak and a wall plate fabricated of zinc-plated steel.

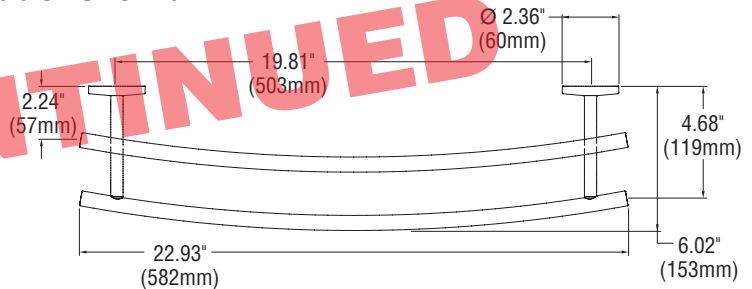
Surface-mounted Toilet Paper Holder shall be fabricated of chrome-plated stainless steel and shall include an escutcheon fabricated of chrome-plated zamak and a wall plate fabricated of zinc-plated steel.

Surface-mounted Towel Ring shall be fabricated of chrome-plated stainless steel and shall include an escutcheon fabricated of chrome-plated zamak and a wall plate fabricated of zinc-plated steel.

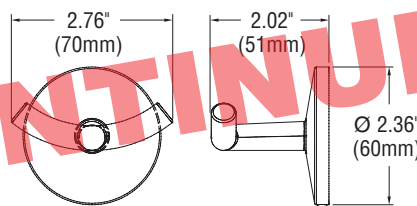
Surface-mounted Robe Hook shall be fabricated of chrome-plated zamak and shall include an escutcheon fabricated of chrome-plated zamak and a wall plate fabricated of zinc-plated steel.

Model 9180-000000 Chrome-Plated Double Towel Bar

- Length — nominally 24"



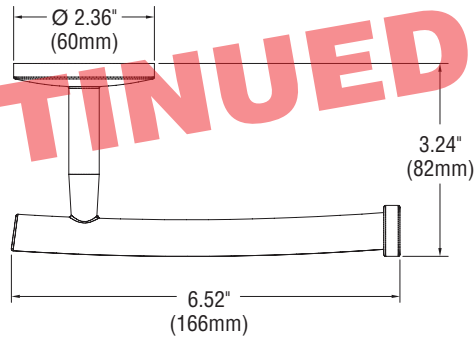
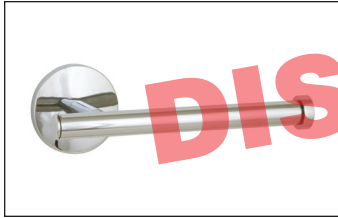
Model 9183-000000 Chrome-Plated Robe Hook



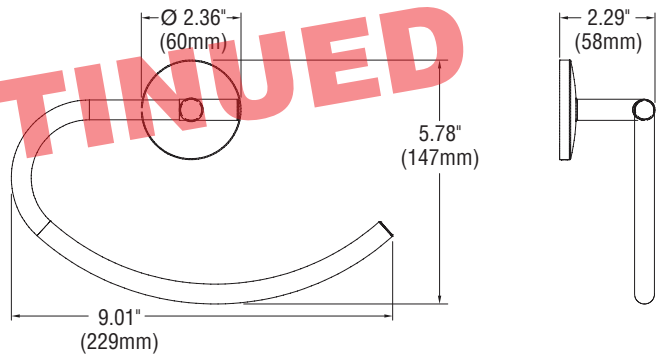
Washroom Accessories
Document No. 8928

Model 9184-000000 **Chrome-Plated Toilet Paper Holder**

- Non-Controlled Delivery
- Single Roll

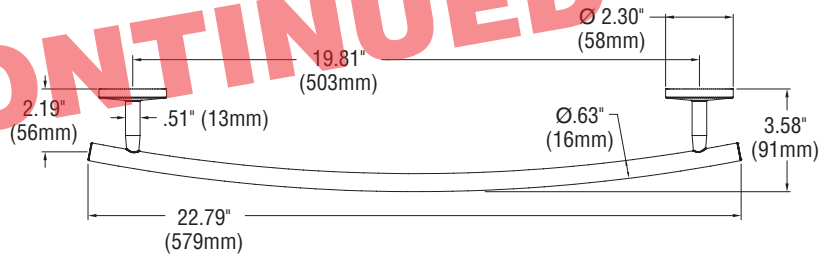


Model 9185-000000 **Chrome-Plated Towel Ring**



Model 9186-000000 **Chrome-Plated Single Towel Bar**

- Length — nominally 24"



Washroom Accessories
Document No. 8928