

- Ligature-Resistant Design
- Quick, Easy Installation
- Completely Preassembled Wall Shower Unit
- Sloped Top and Bottom

**Specifications**

**Materials**

Shower panel is type 304 stainless steel. All other exposed parts are stainless steel or chrome-plated brass. Valve bodies are brass casting. Supply inlets are flexible stainless steel hoses.

**Standard Equipment**

**Valve Type**

Equa-Flo HD Pressure Balancing Valve is standard.

**Shower Panel**

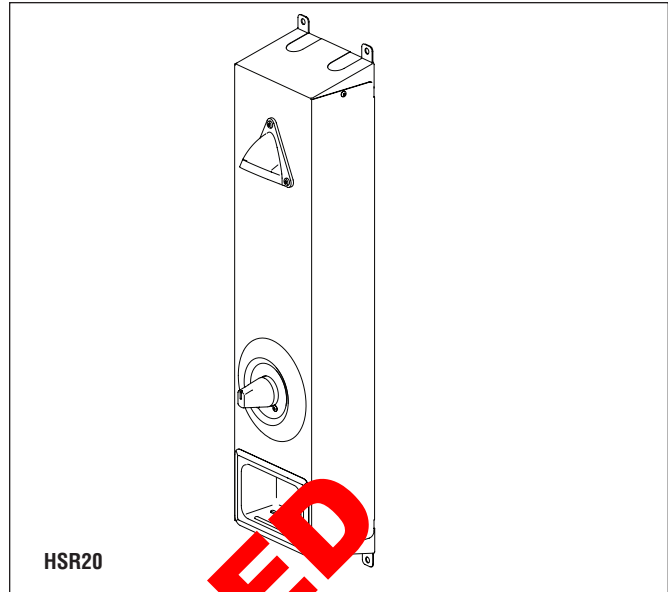
Constructed of 18 gauge stainless steel with stainless steel soap tray mounted to panel. Shower panel top and bottom covers are sloped, and constructed of 16 gauge stainless steel.

**Showerhead**

Conical showerhead is designed to reduce ligature points. Polished chrome-plated solid brass showerhead has 60 spray channels at three different angles to allow for a full coverage shower. Flow rate is 2.5 GPM maximum to meet ANSI A112.18.1M. 1/2" NPTF back inlet. Showerhead is mounted with security screws.

**Supply Inlets**

Supply inlets are flexible, stainless steel hoses with 1/2 NPT connections. Inlets are accessible through the back of the shower or through knockouts in the top and bottom covers.



<b>Optional Selections</b>	
<b>Soap Dish (select one)</b>	
<input type="checkbox"/>	RSD - Resealable Soap Dish
<input type="checkbox"/>	NSD - Non-Resealable Soap Dish

Non-Resealable Soap Dish is non-returnable

DISCONTINUED

**Dimensions**

(mm)

