

# Installation

## Anti-Ligature Shower HSR20

Supplies Required .....	2
Rough-in Dimensions .....	2
Installation .....	3
Caring for Stainless Steel .....	3

 Bradley Corporation assumes no liability for any harm or injury inflicted when using this product.

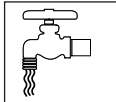
### **IMPORTANT!**



Read this entire installation manual to ensure proper installation. When finished with the installation, file this manual with the owner or maintenance department. Compliance and conformity to local codes and ordinances is the responsibility of the installer.



Separate parts from packaging and make sure all parts are accounted for before discarding packaging material. If any parts are missing, do not begin installation until you obtain the missing parts.



Make sure that all water supply lines have been flushed and then completely turned off before beginning installation. Debris in supply lines can cause valves to malfunction.



Product warranties may be found under "Products" on our web site at [bradleycorp.com](http://bradleycorp.com).



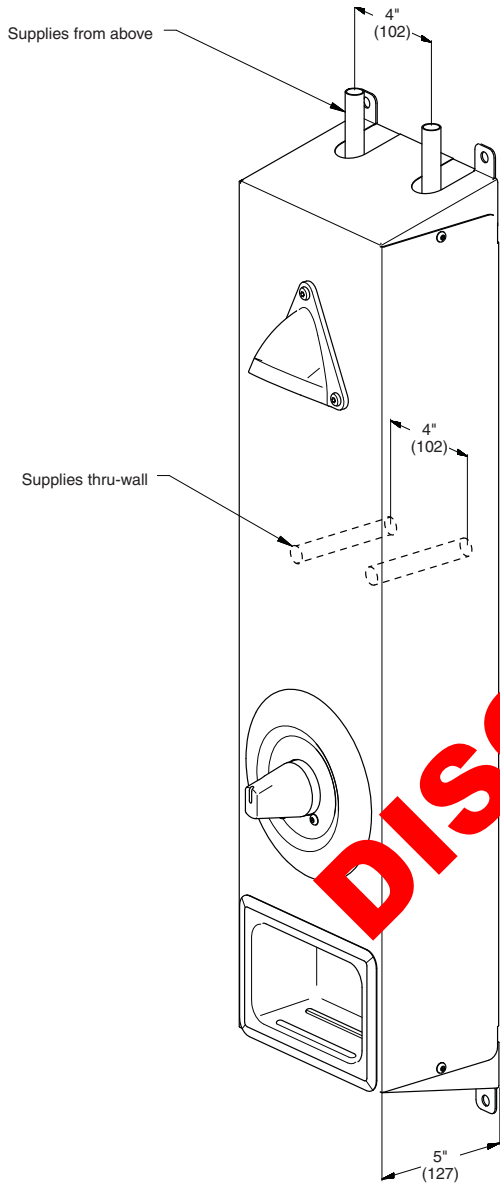
### Supplies Required

- Water supply piping to connect 1/2" NPT flexible hose(s)
- Suitable wall anchors and 1/4" diameter fasteners to mount shower to the wall
- Pipe Sealant

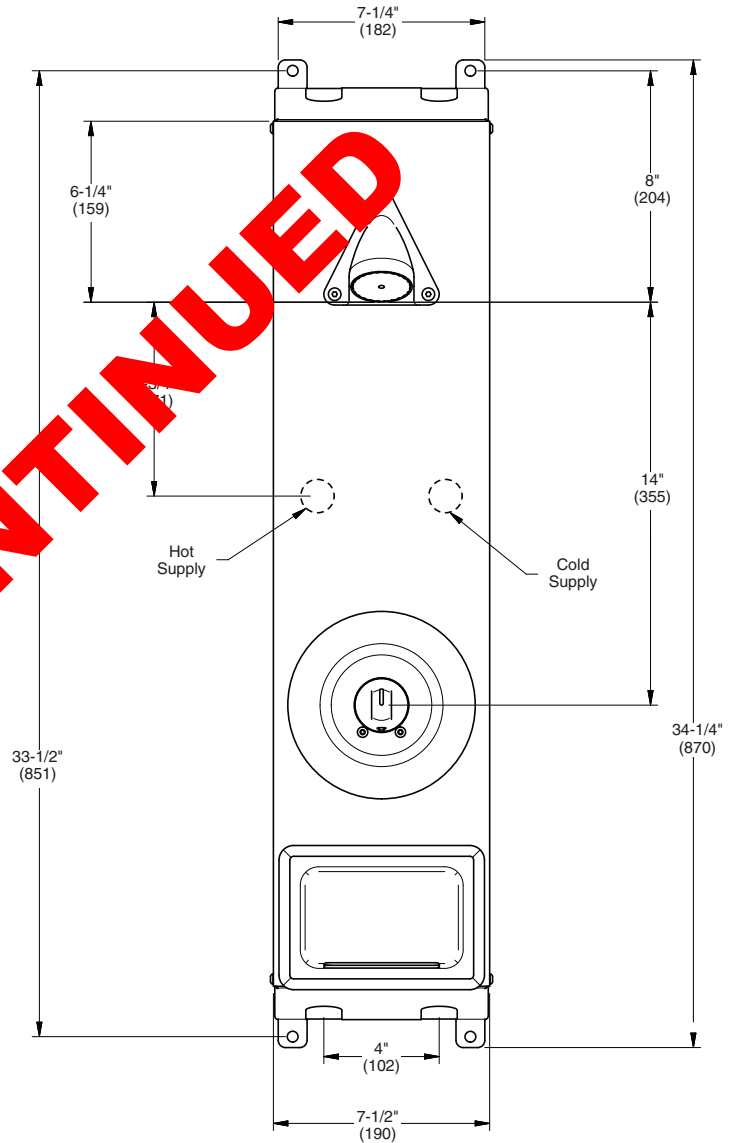
### Recommended Shower Heights

Age	Male	Female
Adult	6'0" (1.83m)	6'0" (1.83m)
Teenage	6'0" (1.83m)	5'6" (1.68m)
Pre-Teens	5'6" (1.68m)	5'6" (1.68m)

### Shower Dimensions



(mm)



DISCONTINUED

### 1 Rough-In Supply

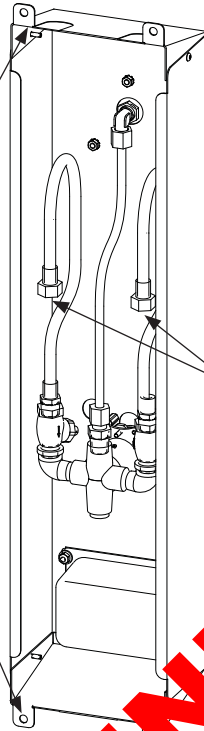
Supply inlets are 1/2" NPT flexible hose and are accessible from the back of the shower or from knockouts on the top cover. Bradley's HD valve shown; other valve versions install in similar manner.

- If supplies will be run "thru-wall", Bradley recommends using a 90° street ell to connect the supply hoses.
- If supplies will be run "from above", Bradley recommends running them approximately 1/2" into the top cover.

## 2 Install Shower

**A**

Position unit at desired height and using the mounting tabs as a template, mark wall. Drill holes for 1/4" fasteners (supplied by installer.)


**B**

Connect the 1/2" flexible hoses to the supply lines. Turn the water on and check for leaks and adequate water supply. Mount unit securely on wall.

### Cleaning Stainless Steel

**Material Description:** Stainless steel is extremely durable, and maintenance is simple and inexpensive. Proper care, particularly under corrosive conditions, is essential. Always start with the simplest solution and work your way toward the more complicated.

**Routine cleaning:** Daily or as often as needed use a solution of warm water and soap, detergent, or ammonia. Apply the cleaning solution per the manufactures instructions and always use a soft cloth or sponge to avoid damaging the finish.

**Stubborn Stains:** To remove stains from stainless steel use a stainless steel cleaner and polish such as Ball® stainless steel cleaner or a soft abrasive. Always follow the manufactures instructions and apply in the same direction as the polish lines.



**Never use ordinary steel wool or steel brushes on stainless steel. Always use stainless steel wool or stainless steel brushes.**

#### Special Situations for Material

**Fingerprints and Smears:** To remove fingerprints or smears use a high quality stainless steel cleaner and polish in accordance with the manufactures instructions. Many of these products leave a protective coating the helps prevent future smears and fingerprints.

**Grease and Oil:** To remove grease and oil use a quality commercial detergent or caustic cleaner. Apply in accordance to the manufactures instructions and in the direction of the polish lines.

**Precautions:** Avoid prolonged contact with chlorides (bleaches, salts), bromides (sanitizing agents), thiocyanates (pesticides, photography chemicals, and some foods), and iodides on stainless steel equipment, especially if acid conditions exist.



**Do not permit salty solutions to dry and evaporate on stainless steel.**

The appearance of rust streaks on stainless steel leads to the belief that the stainless steel is rusting. Look for the actual source of the rust in some iron or steel particles which may be touching, but not actually a part of the stainless steel structure.



**Strongly acidic or caustic cleaners may attack the steel causing a reddish film to appear. The use of these cleaners should be avoided.**

**Brand Names:** Use of brand names is intended only to indicate a type of cleaner. This does not constitute an endorsement, nor does the omission of any brand name cleaner imply its inadequacy. Many products named are regional in distribution, and can be found in local supermarkets, department and hardware stores, or through your cleaning service. It is emphasized that all products should be used in strict accordance with package instructions.