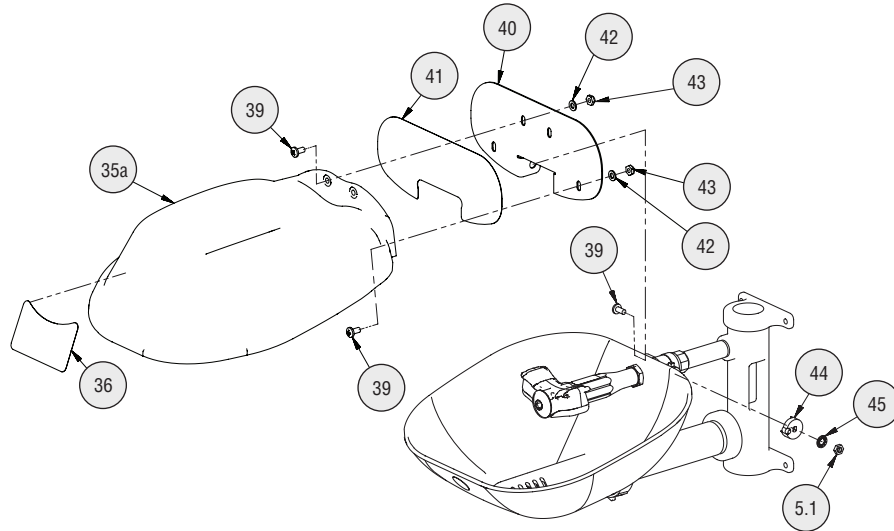


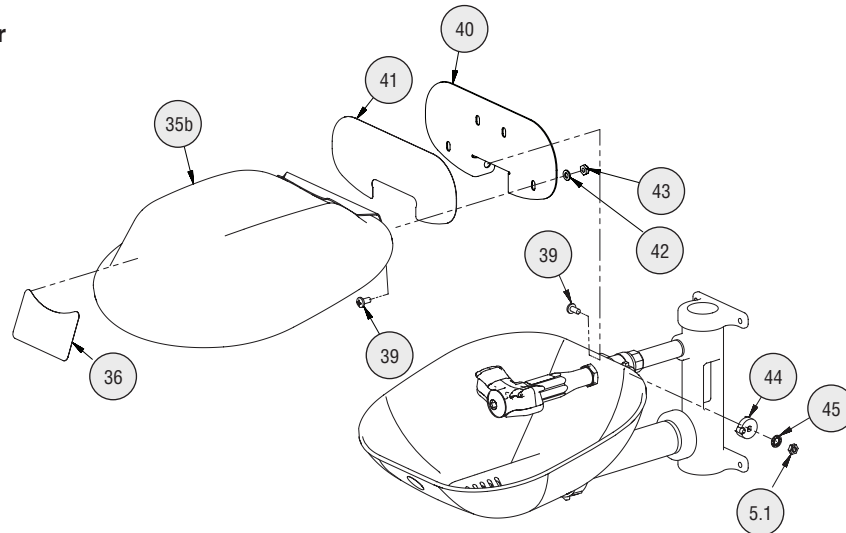
Halo™ Bowl Cover Kits

Installation

Plastic Bowl Cover

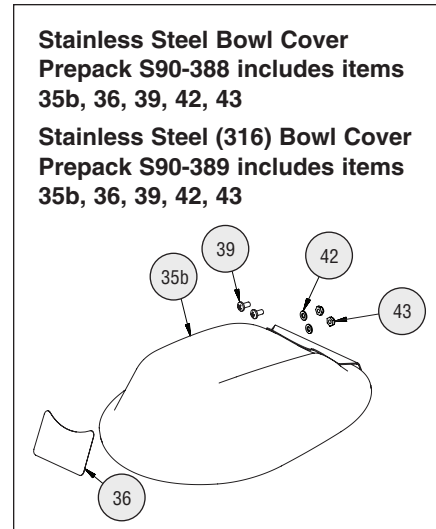
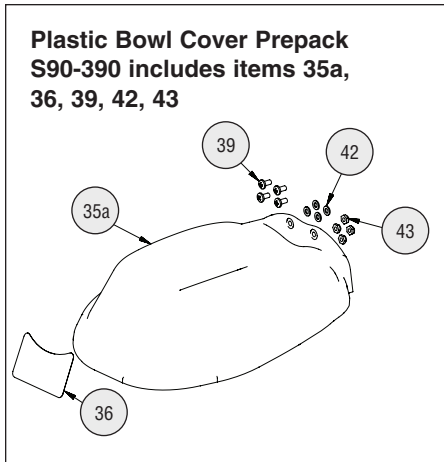


Stainless Steel Bowl Cover



Service Parts List — Bowl Covers

| Item | Part No. | Qty | Description | Item | Part No. | Qty | Description |
|------|-------------|-----|---|------|-------------|-----------|---|
| 5 | S27-327 | 1 | Ball valve ½" with nut | 39 | 160-389 | as req'd. | Bowl cover screw ¼-20 x ½" stn. steel |
| 5 | S27-328 | 1 | Ball valve ½" ss 316 with nut | 39 | 160-469 | as req'd. | Bowl cover screw ¼-20 x ½" stn. steel 316 |
| 5 | S27-329 | 1 | Ball valve ½" frost proof with nut | 40 | S08-385 | 1 | Handle ss (incl. items 41, 44, 45, 5.1) |
| 5 | S27-330 | 1 | Ball valve ½" ss 316 frost proof with nut | 40 | S08-388 | 1 | Handle ss 316 (incl. items 41, 44, 45, 5.1) |
| 5.1 | 110-215 | 1 | Nut | 41 | 114-096 | 1 | Decal |
| 5.1 | 110-248 | 1 | Nut stainless steel 316 | 42 | 142-002AV | as req'd. | Bowl cover washer |
| 35a | Service Kit | 1 | Bowl cover plastic | 43 | 161-060 | as req'd. | Bowl cover nut stainless steel |
| 35b | Service Kit | 1 | Bowl cover stainless steel | 43 | 161-162 | as req'd. | Bowl cover nut stainless steel 316 |
| 35b | Service Kit | 1 | Bowl cover stainless steel 316 | 44 | 153-372R | 1 | Adapter ball valve |
| 36 | 114-097 | 1 | Bowl cover decal | 44 | 153-372R316 | 1 | Adapter ball valve stainless steel 316 |
| | | | | 45 | 142-002DA | 1 | Lockwasher |



Handle Prepacks include items 39, 40, 41, 44, 45, 5, 5.1

- Prepack S08-390 (for units with brass ball valve)
- Prepack S08-391 (for units with stainless steel ball valve)
- Prepack S08-392 (for units with brass frost-proof ball valve)
- Prepack S08-393 (for units with stainless steel frost-proof ball valve)
- Prepack S08-394 (for units with 316 stainless steel ball valve and handle)
- Prepack S08-395 (for units with 316 stainless steel frost-proof ball valve and handle)

