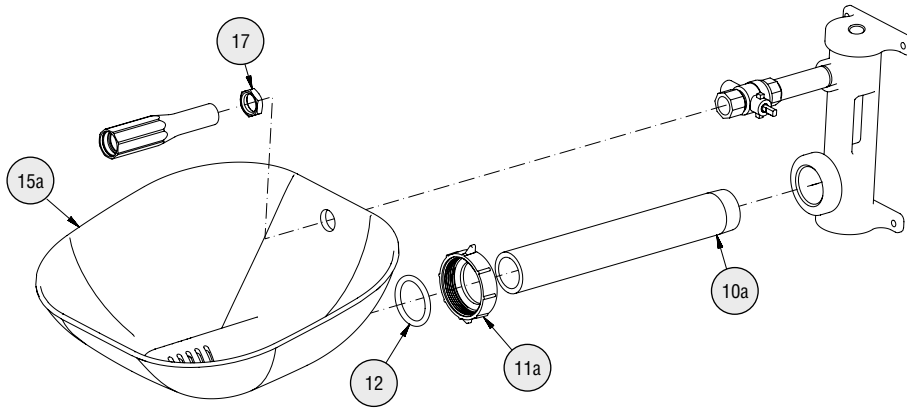


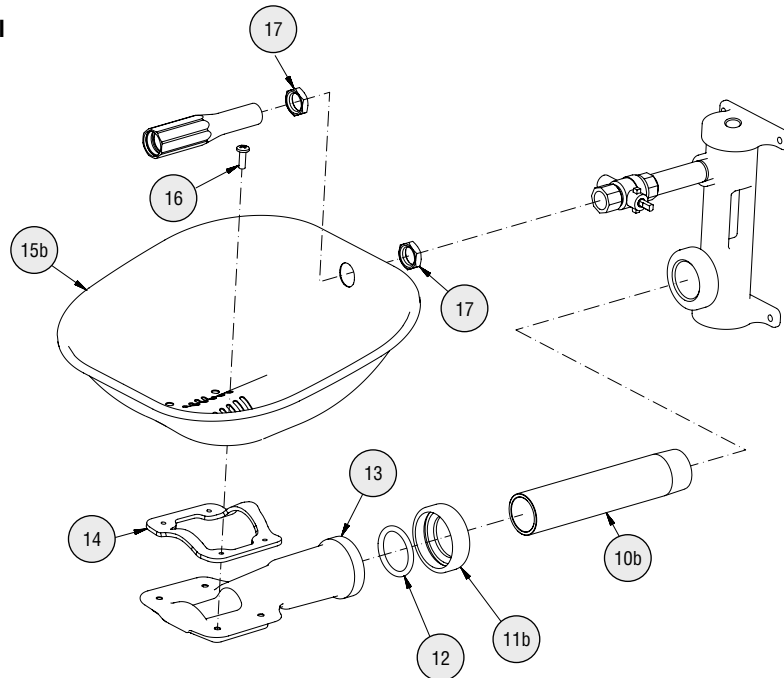
Halo™ Eyewash Bowl Kits

Installation

Plastic Bowl



Stainless Steel Bowl



Service Parts List — Bowl

Item	Part No.	Qty	Description	Item	Part No.	Qty	Description
5	S27-327	1	Ball valve ½" with nut	12	125-176	1	O-ring
5	S27-328	1	Ball valve ½" ss 316 with nut	13	111-099	1	Bowl mount aluminum
5	S27-329	1	Ball valve ½" frost proof with nut	13	111-100	1	Bowl mount aluminum painted
5	S27-330	1	Ball valve ½" ss 316 frost proof with nut	13	111-101	1	Bowl mount stainless steel
5.1	110-215	1	Nut M7 x 1 thd.	13	111-102	1	Bowl mount stainless steel 316
10a	113-1202	1	Pipe 1¼" x 11" thd. one end	14	124-082	1	Bowl gasket
10a	113-1203	1	Pipe 1¼" x 11" thd. one end stn. steel	15a	187-320	1	Bowl plastic
10b	113-1204	1	Pipe 1¼" x 7" thd. one end	15b	S90-393	1	Bowl stainless steel (includes Item 14)
10b	113-1205	1	Pipe 1¼" x 7" thd. one end stainless steel	15b	S90-394	1	Bowl stn. steel 316 (includes Item 14)
10b	113-1206	1	Pipe 1¼" x 7" thd. one end chrome	16	160-467	4	Screw
10b	113-1212	1	Plug 1¼" x 7" thd. one end stn. steel 316	17	110-115a	as req'd.	Nut ½" NPSM chrome brass
11a	110-239	1	Nut plastic, slip joint	17	110-238	as req'd.	Nut ½" NPSM stainless steel
11b	110-240	1	Nut, stainless steel slip joint	17	110-241	as req'd.	Nut ½" NPSM stainless steel 316
11b	110-242	1	Nut, stainless steel 316 slip joint				