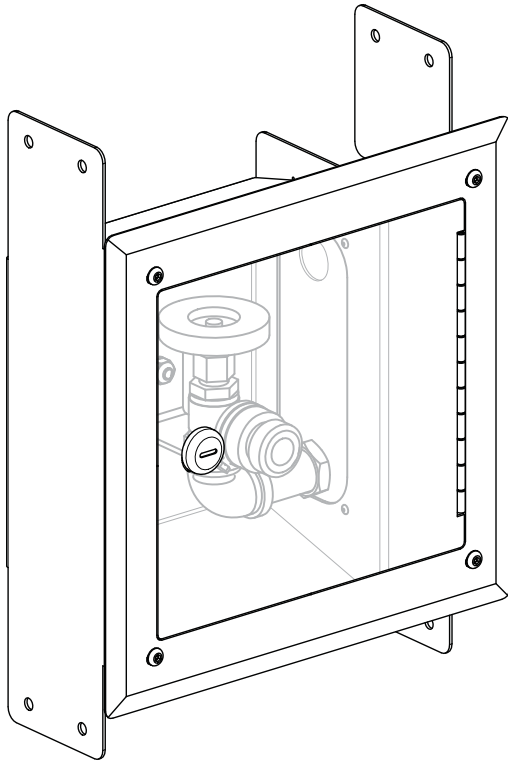


# Installation

## Single Valve Recessed Hose Box

Model 7910



Right Supply Configuration Shown

Supplies Required .....	2
Installation .....	2
Optional Left Supply Configuration.....	3



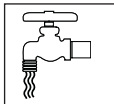
### IMPORTANT!



**Read this entire installation manual to ensure proper installation. When finished with the installation, file this manual with the owner or maintenance department. Compliance and conformity to local codes and ordinances is the responsibility of the installer.**



**Separate parts from packaging and make sure all parts are accounted for before discarding packaging material. If any parts are missing, do not begin installation until you obtain the missing parts.**



**Make sure that all water supply lines have been flushed and then completely turned off before beginning installation. Debris in supply lines can cause valves to malfunction.**



**Product warranties may be found under "Products" on our web site at [bradleycorp.com](http://bradleycorp.com).**



**Supplies Required:**

- Hardware for anchoring the Hose Box to framing or wall studs
- 1/2" NPT supply connection
- For optional left side supply: Teflon plumber's tape or Perma-Lok (or equivalent)

**Tools Required:**

- Security Allen Wrench (provided)
- Flat head Screwdriver
- Small crescent wrench

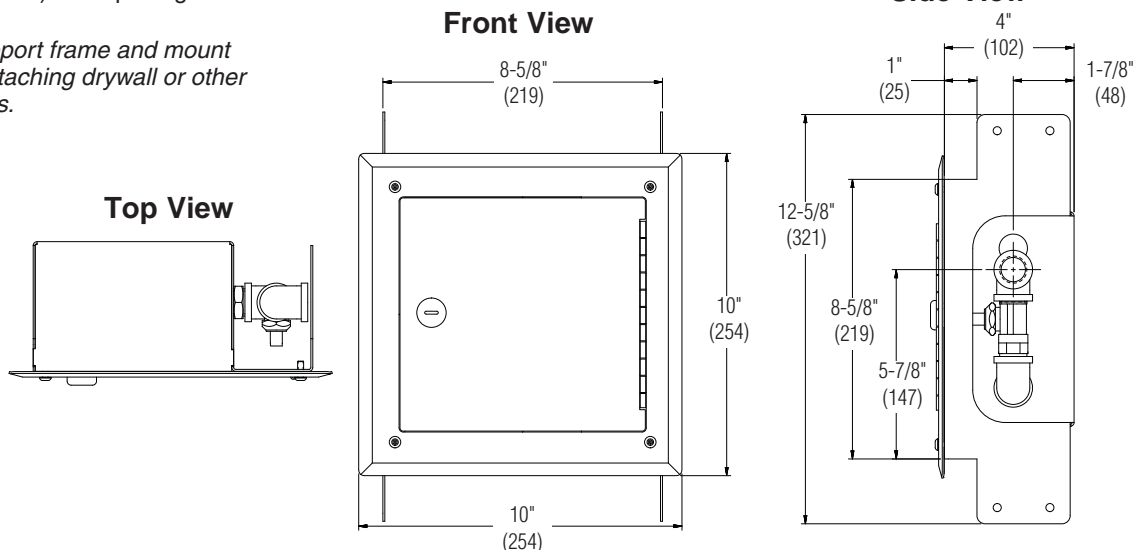
**Rough-In Dimensions**

8-5/8" (219) x 8-5/8" (219) wall opening

(mm)



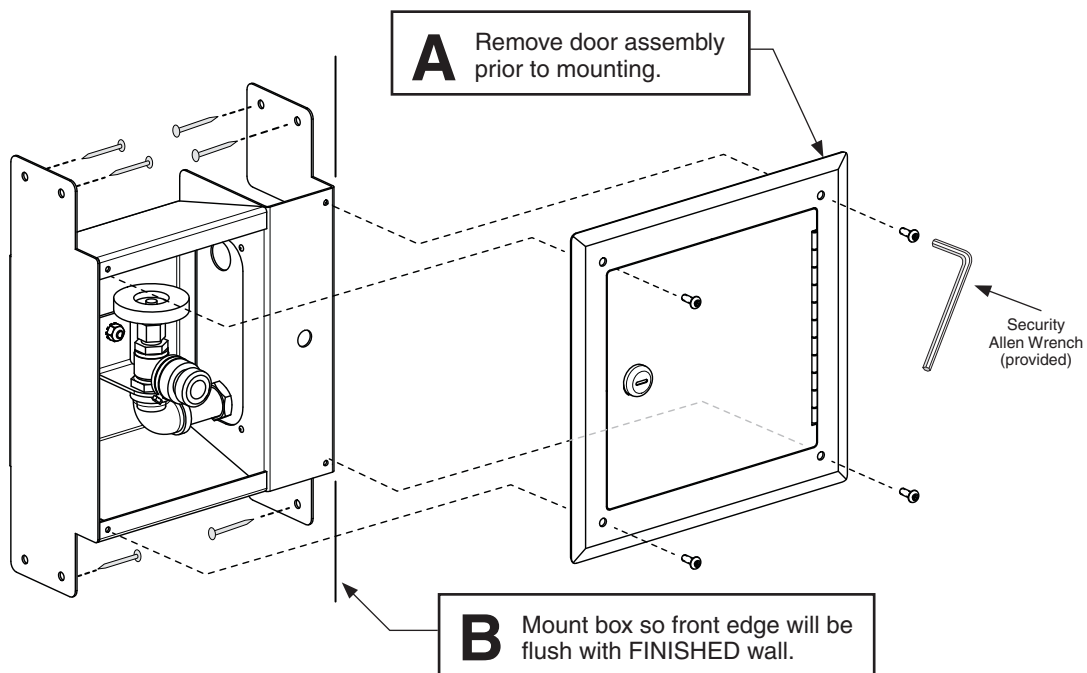
*Rough in support frame and mount box before attaching drywall or other wall coverings.*



**1 Mount Box in Wall**



*Unit is fully assembled at factory for right side supply. For left side supply option, refer to instructions on page 3 before mounting unit in wall.*



## 2 Connect Supply

**A** Connect 1/2" NPT supply. (Side connection shown.)

**B** Tighten vacuum breaker onto hose bibb and secure by tightening screw.

Vacuum breaker's break-away screw (or set screw) is not tightened at factory.

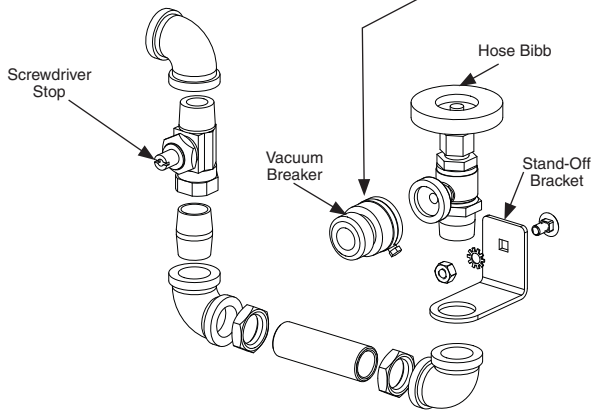
Elbow (remove for top connection)

**C** Activate supply and test for leaks. Adjust stop point if necessary. Re-attach door.

### Optional Left Supply Configuration

Left supply configuration is the opposite of standard right supply configuration.

**A** Remove door. After carefully noting configuration of fittings, remove vacuum breaker from hose bibb.



**B** Remove stand-off bracket, hose bibb and other components from inner box. Disassemble fittings.

**C** Rotate cabinet 180° so outlet holes are on the left. Re-install valve and stand-off bracket, being careful to align screwdriver stop with stop hole in cabinet. Proceed to Step 1 on page 2.

Thoroughly clean threads and seal with plumber's tape or Perma-Lok (or equivalent).

