

Installation

270 Towel Dispenser/Waste Receptacle

Semi-Recess and Recess-Mounted Towel Dispenser/Waste Receptacle

NOTE: For surface-mounted unit, refer to the instructions on page 2.

NOTE: Coordinate installation with architect and contractor to avoid protrusion from opposite wall, pipes vent, conduits, electrical wiring etc. in wall. Grounding is recommended for plaster wall installation. If installing where unit projects above top of wainscot, provide aluminum channel or other filler to prevent gap from finished wall and flange of unit. For block walls, use metal expansion shields (not provided).

1. Provide the wall opening per the dimensions shown in Figure 1.
2. Position the unit into the opening and unlock the door.

NOTE: Shims may be required to prevent distortion when positioning the unit into the wall opening. Place shims at the mounting holes between the outside of the unit and the wall before securing the towel/waste unit.

3. Secure the unit to wall through the concealed mounting holes provided with the four #10 screws provided.
4. Install the dryer per the instructions included with the dryer.

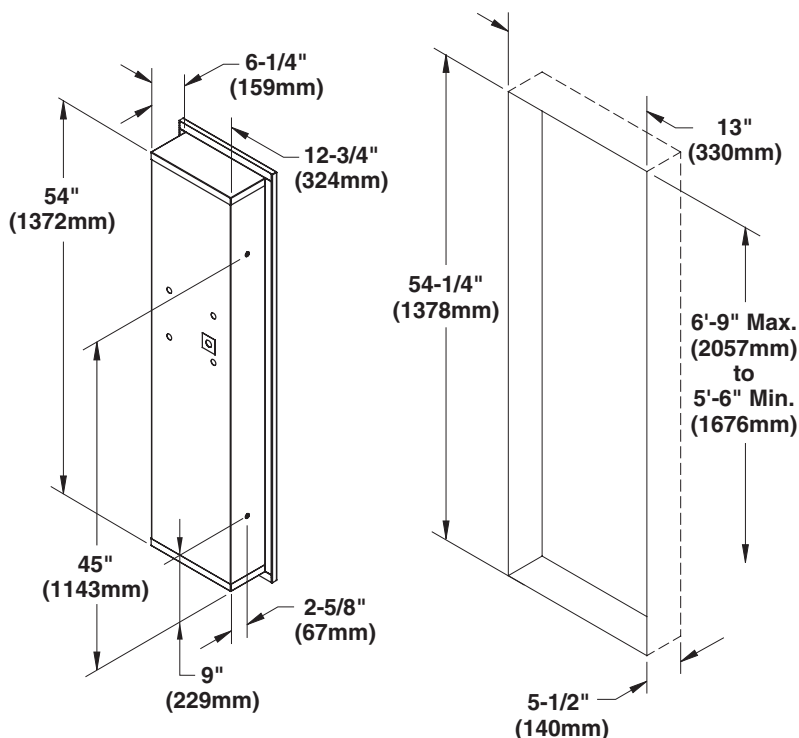
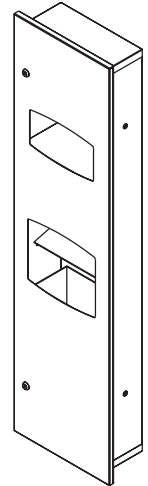


Figure 1



IMPORTANT

For ADA Accessibility compliance

- the unit should be installed so that the bottom of the towel dispenser lip is 54" (1372mm) maximum above the finished floor (AFF) if additional clear-floor side-reach access is provided, OR 48" (1219mm) maximum AFF if only clear-floor forward-reach access is provided.
- the unit cannot be located where it will protrude into walks, halls, corridors, passageways or aisles.

Installation

Surface-Mounted Towel Dispenser/Waste Receptacle

NOTE: For recess-mounted unit, refer to the instructions on page 1.

1. Plaster or dry wall construction: Provide in-wall backing (suitable for use with #10 x 1" screws) at the mounting slot locations shown in Figure 2 below.

Other wall surfaces: Provide fiber plugs or expansion shields (suitable for use with #8 x 1-1/4" sheet-metal screws supplied by installer), OR provide 1/8" toggle bolts or expansion bolts.

NOTE: If installing where unit projects above top of wainscot, provide aluminum channel or other filler to prevent gap from finished wall to back of unit. For block walls, use metal expansion shields (provided by installer).

2. Unlock and open the door. Secure the unit to the wall with hardware appropriate for your wall construction (hardware supplied by installer).
3. Install the dryer per the instructions included with the dryer.

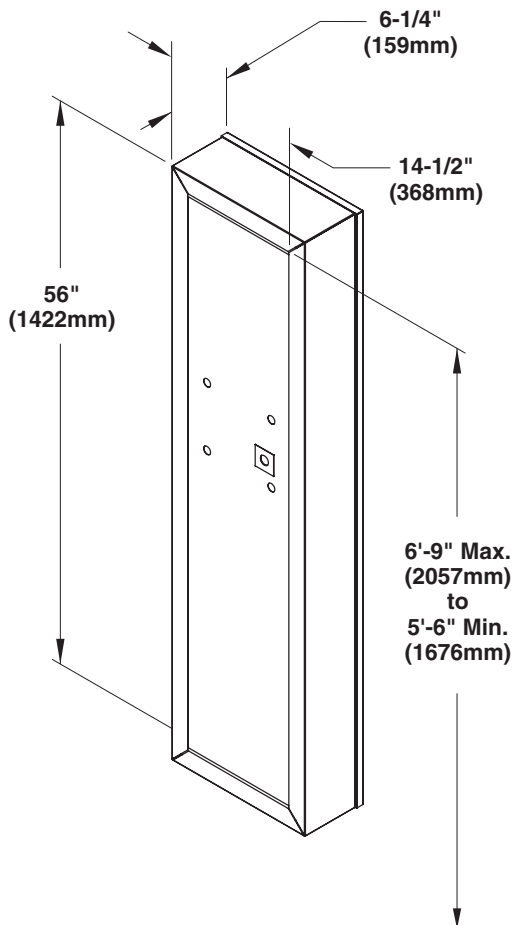
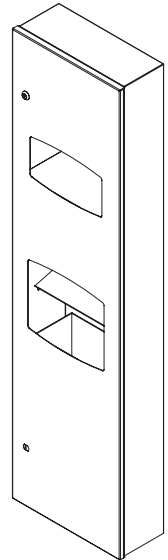


Figure 2



IMPORTANT

Adequate in-wall backing must be provided by installer to fully support the weight of the unit. Always check local codes and ordinances prior to installation.

For ADA Accessibility compliance

- the unit should be installed so that the bottom of the towel dispenser lip is 54" (1372mm) maximum above the finished floor (AFF) if additional clear-floor side-reach access is provided, OR 48" (1219mm) maximum AFF if only clear-floor forward-reach access is provided.
- the unit cannot be located where it will protrude into walks, halls, corridors, passageways or aisles.