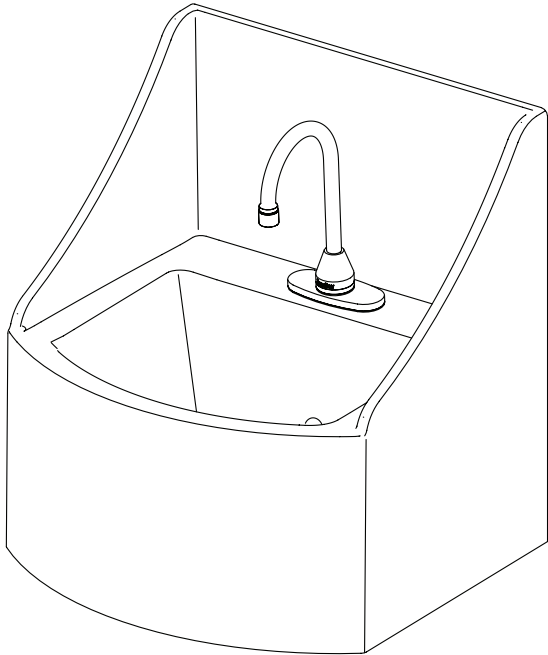


# Installation



TDWL22 shown with optional S53-325 faucet.

## TDWL22

### Terreon® Deep Well Lavatory

#### Table of Contents

Supplies Required . . . . .	2
Components . . . . .	3
Dimensions . . . . .	4
Rough-In . . . . .	5
Bowl Mounting with In-Wall Carrier . . . . .	6-7
Bowl Mounting with Backplate Weldment . . . . .	8
Drain Assembly . . . . .	9
Cleaning and Maintenance . . . . .	10

### WARNING

**Make sure that all water supply lines have been flushed and then completely turned off before beginning installation. Debris in supply lines can cause valves to malfunction.**

**Turn OFF electrical power to the electrical outlets, then unplug all electrical units prior to installation. Electrical power MUST remain off until installation is complete.**

**Hardware supplied by installer must be appropriate for wall construction. Wall anchors used must have a minimum pull-out rating of 1,000 lbs.**

### IMPORTANT

**Read this entire installation manual to ensure proper installation. When finished with the installation, file this manual with the owner or maintenance department.**

**Separate parts from packaging and make sure all parts are accounted for before discarding any packaging material. If any parts are missing, do not begin installation until you obtain the missing parts.**

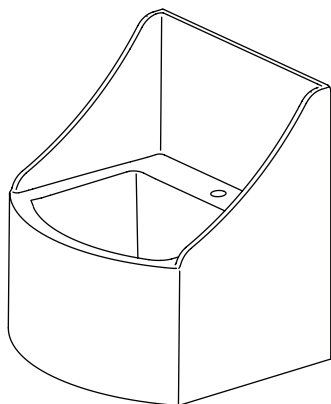
**Product warranties may be found under "Products" on our website at [www.bradleycorp.com](http://www.bradleycorp.com).**



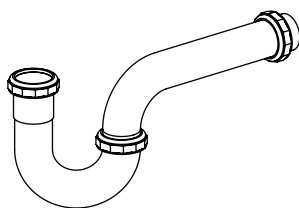
## Supplies Required

- 1/2" Nominal copper tubing hot and cold supply piping
- 1-1/2" NPT drain piping
- 110-volt GFCI protected electrical outlet if using soap or faucet with AC adaptor
- Six 1/4" wall anchors (used with optional surface-mounted bracket only) or in-wall carrier by others such as Josam model 17100-202 or equivalent

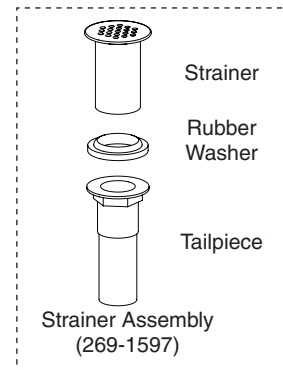
## TDWL22 – Components



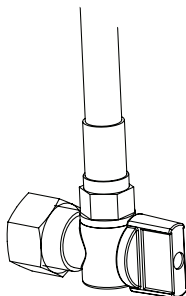
TDWL22 Bowl (call your Bradley Representative for part number)



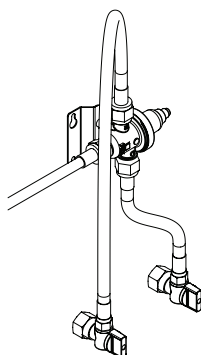
Standard PVC P-Trap (269-1697)  
Optional Chrome-Plated Brass P-trap (S29-094)



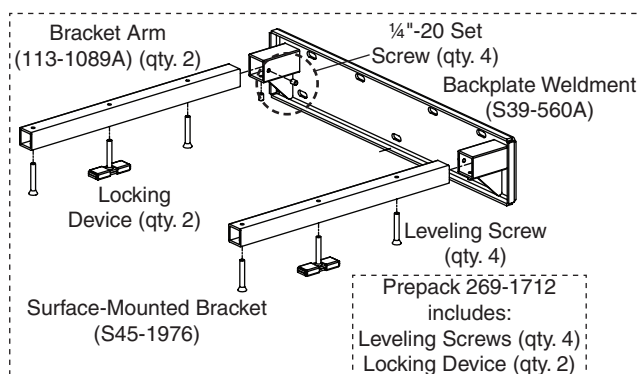
Strainer Assembly (269-1597)



1-Station and Individual Tempered Supply Line (S45-2731)

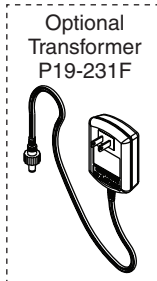


1-Station and Individual TMA Prepack (S59-4000DRP1)

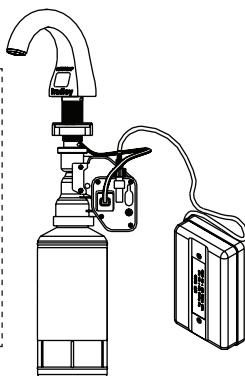


Surface-Mounted Bracket (S45-1976)

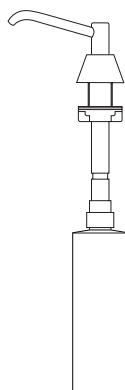
Prepack 269-1712 includes:  
Leveling Screws (qty. 4);  
Locking Device (qty. 2)



Optional Transformer P19-231F



6315-KT0000 Soap Dispenser Kit (batteries and 1000-shot soap included)



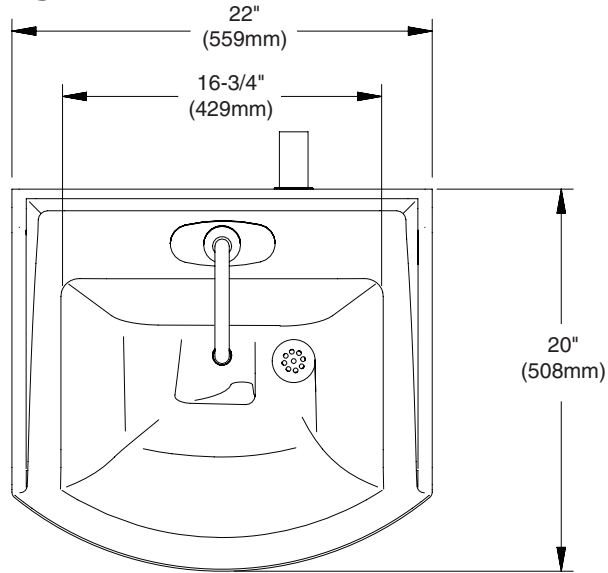
6324 Soap Dispenser, Plastic Globe (16-oz.)  
6324-68 Soap Dispenser, Plastic Globe (32-oz.)



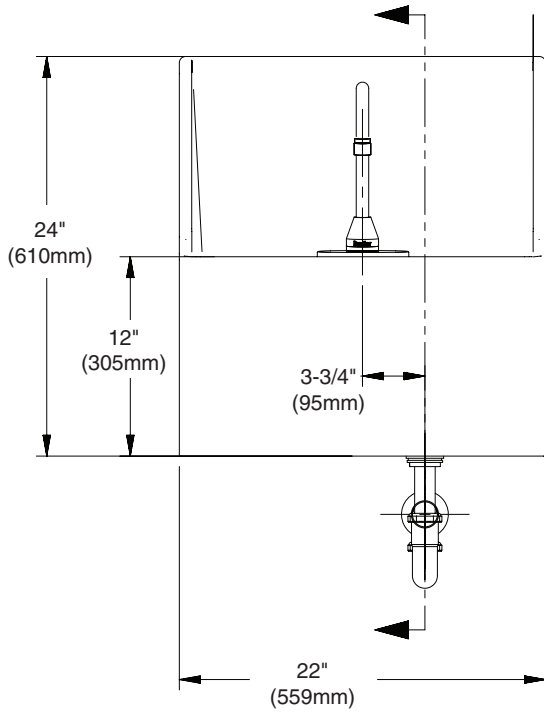
6334 Soap Dispenser

# TDWL22 – Dimensions

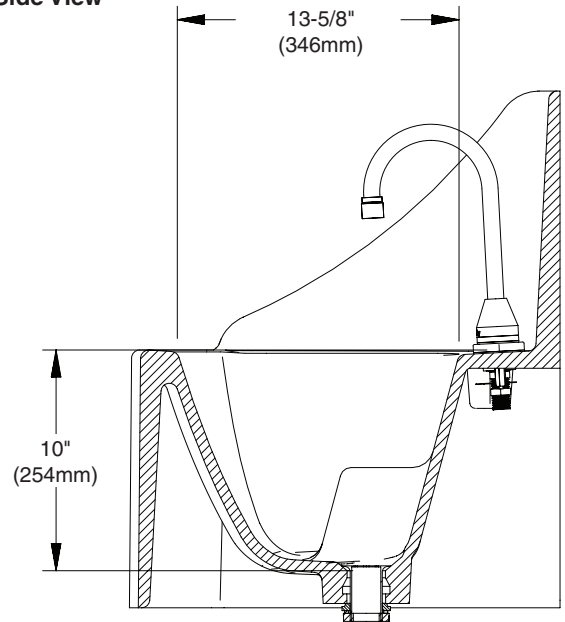
Top View



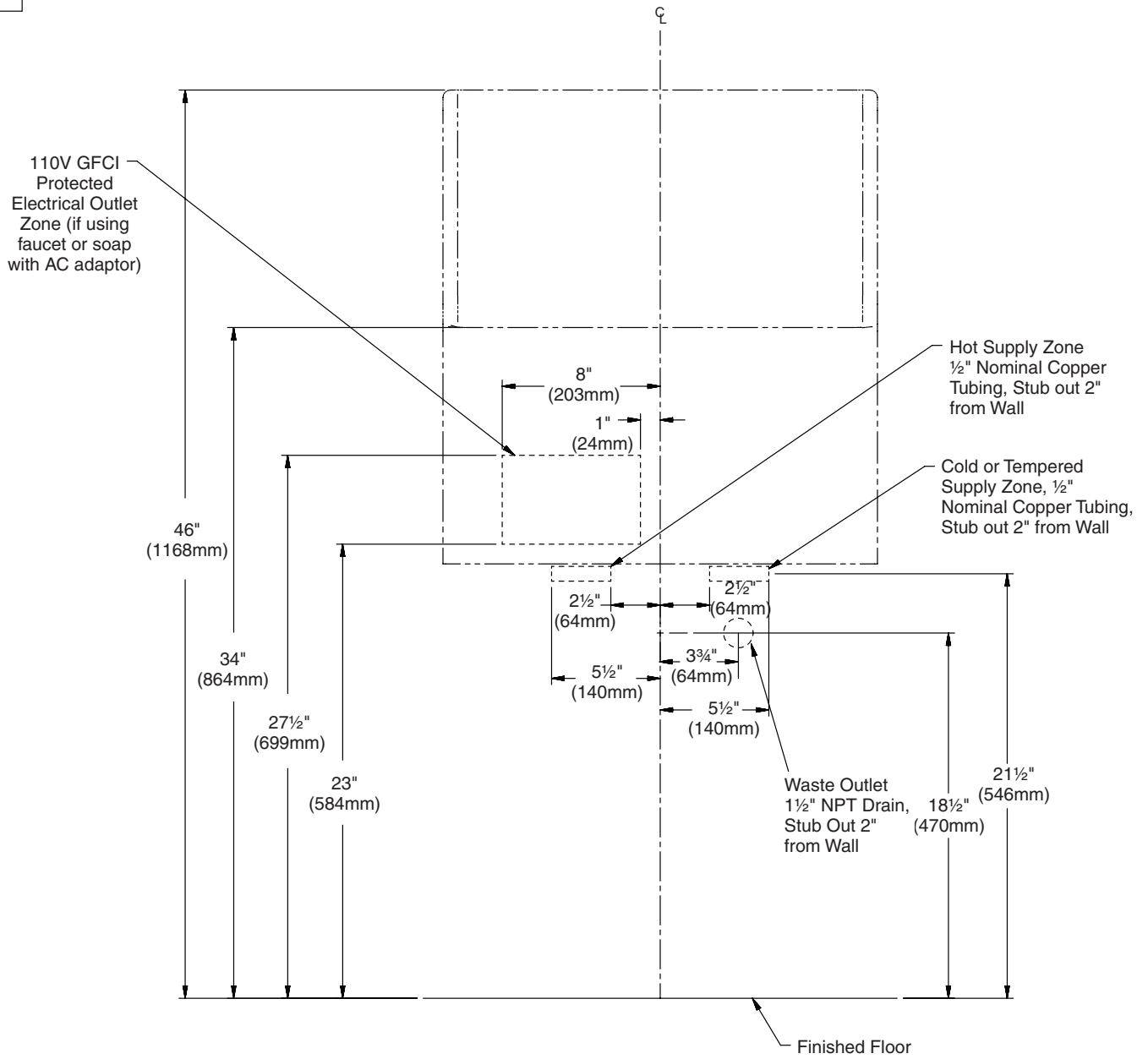
Front View



Side View



# 1 Rough-Ins

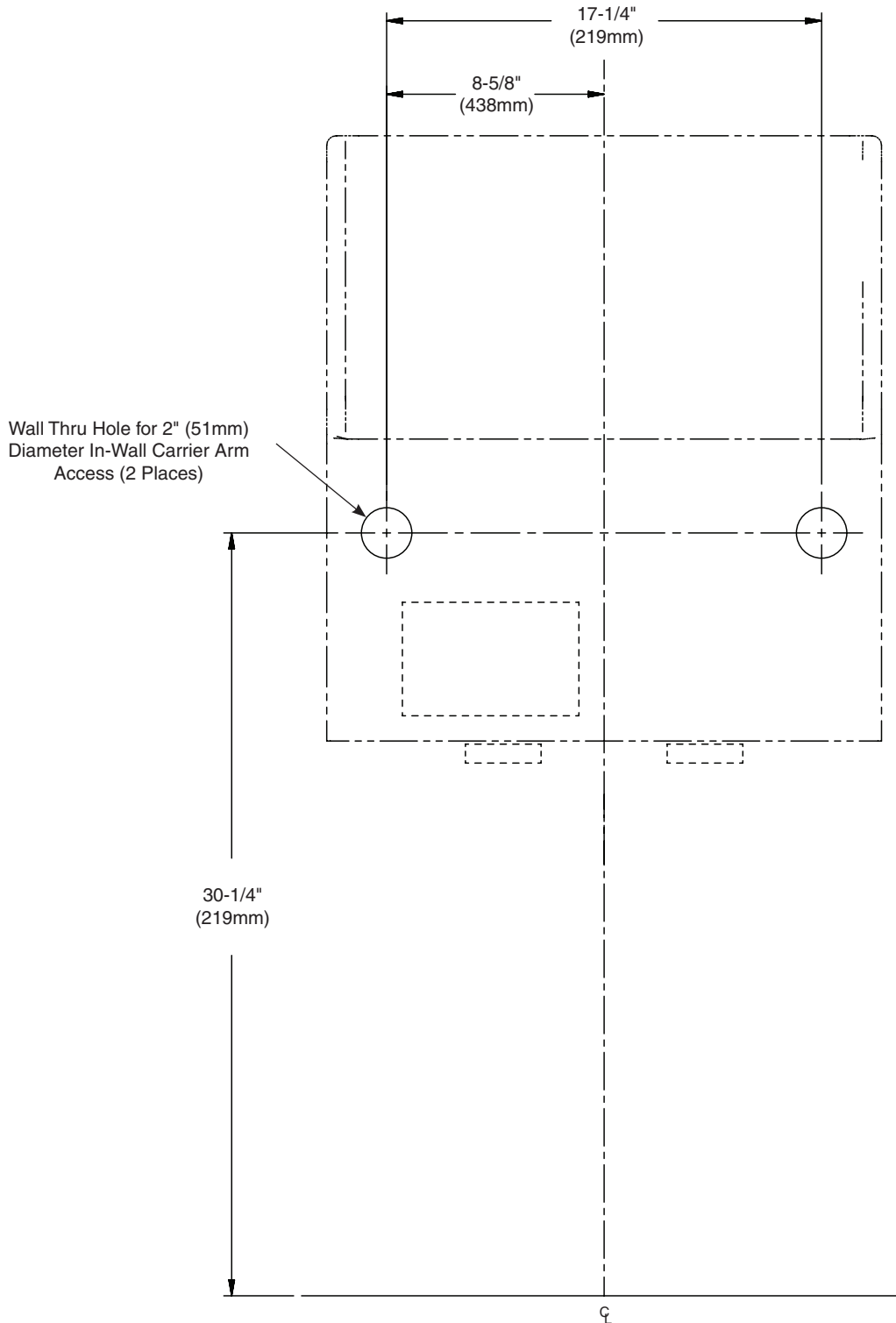


## 2a Bowl Mounting with In-Wall Carrier



Before beginning bowl mounting, install an in-wall carrier (supplied by installer) to the wall following the manufacturer's instructions (ex. Josam 17100-202 or equivalent).

For standard height carrier mounting, do not exceed the recommended 30-1/4" distance from the floor.



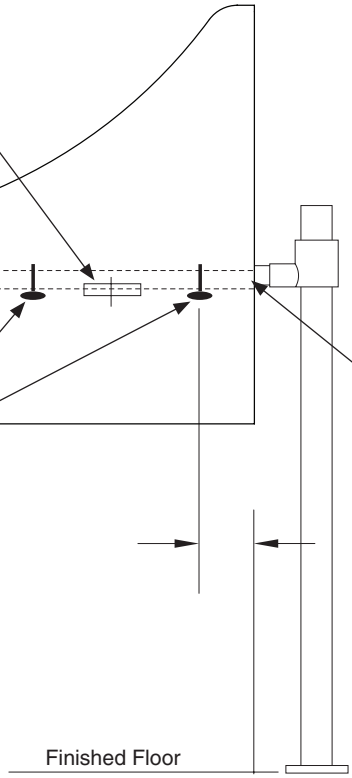
## 2a Bowl Mounting with In-Wall Carrier *Continued...*



**B** Secure the bowl to the in-wall carrier from beneath the bowl by tightening down the locking device on each in-wall carrier arm.

**C** Adjust the two leveling screws from beneath the bowl on each in-wall carrier arm to level the bowl, if necessary. Refer to the in-wall carrier instructions for additional mounting information.

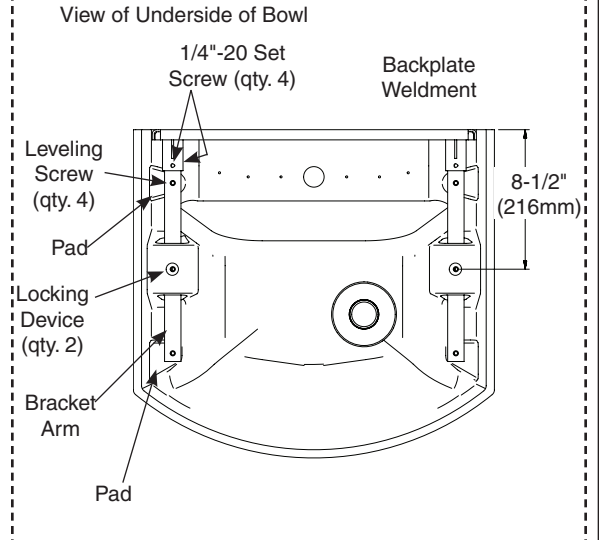
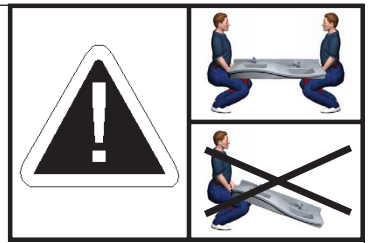
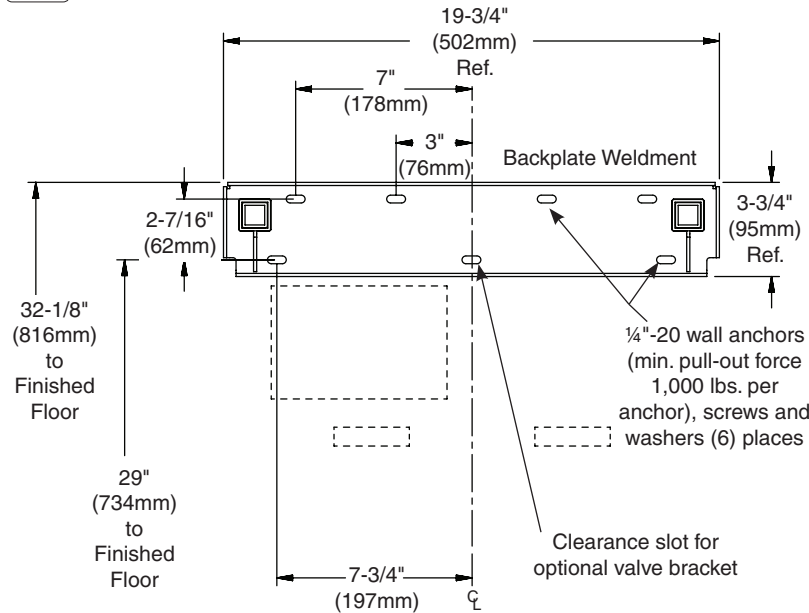
**A** Slide the bowl onto the in-wall carrier. The bowl should be in far enough so that the holes in the underside of the bowl pads are aligned with the screws on the in-wall carrier arm (ref. 3¼" dim. from wall to leveling screw).



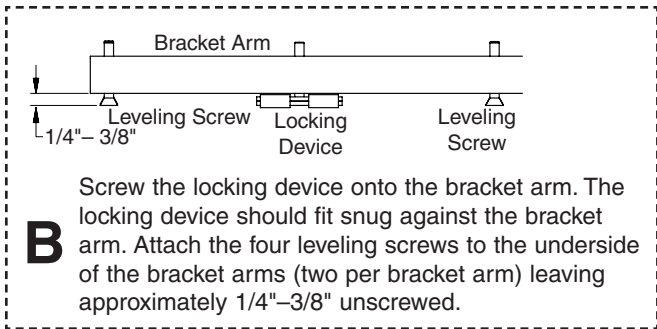
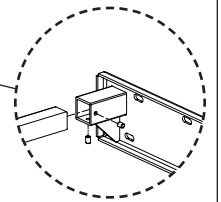
## 2b Bowl Mounting with Backplate Weldment



Dimensions are symmetrical about centerline.



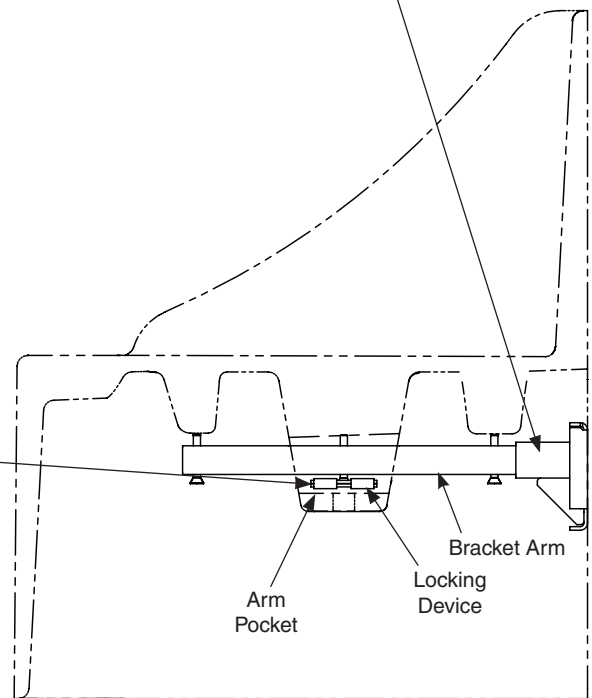
**A** Slide the bracket arms into the collars on the backplate weldment. The locking device on the bracket arm should be located 8½" from the base of the backplate weldment. Install four ¼"-20 set screws into the backplate collar (two set screws per collar) and tighten the set screws.



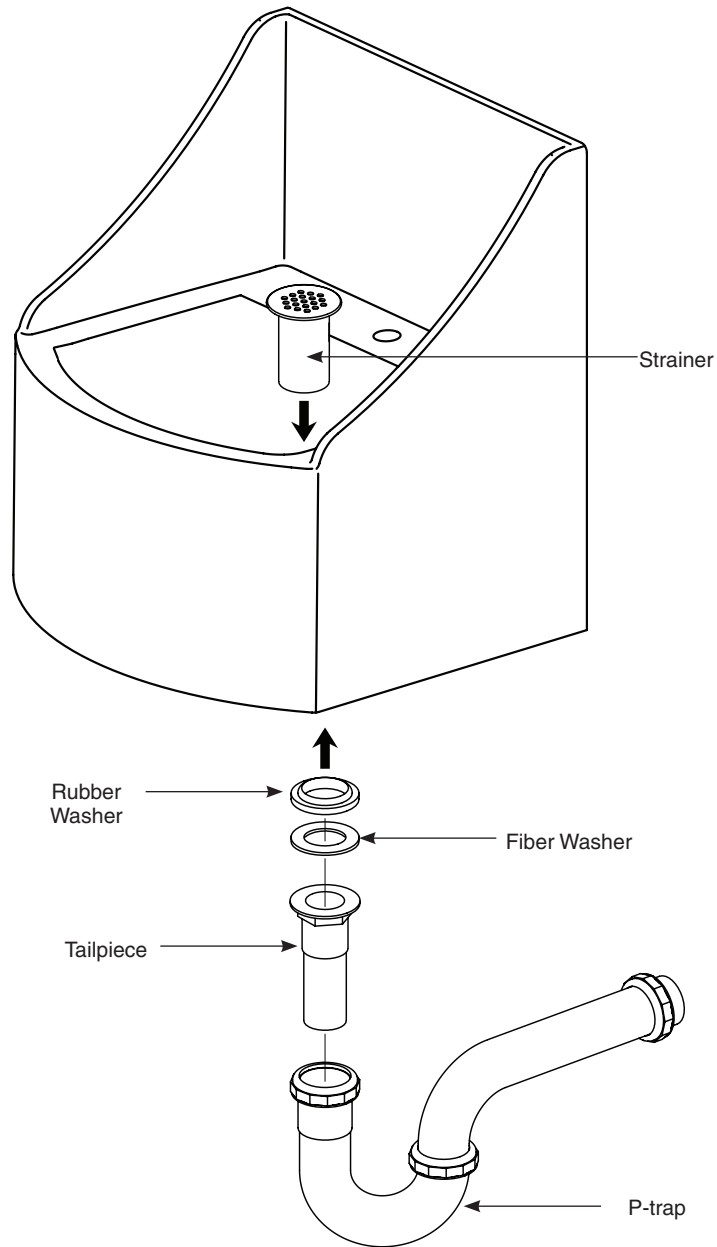
**B** Screw the locking device onto the bracket arm. The locking device should fit snug against the bracket arm. Attach the four leveling screws to the underside of the bracket arms (two per bracket arm) leaving approximately 1/4"-3/8" unscrewed.

**C** Slide the bowl onto the bracket arms so the back of the bowl is tight up against the finished wall. Make sure the surface of the arm pocket in the Terreon bowl is clean and dust free. Unscrew the locking device so it is snug up against the arm pocket in the bowl. The locking device should be accessible from the access hole in the underside of the bowl.

**D** Adjust the leveling screws until the bowl is level. Tighten the four leveling screws but do not over-tighten. The leveling screws should come in contact with the pads underneath the bowl. Retighten the locking device.



### 3 Drain Assembly





## Cleaning and Maintenance for Terreon®

**Material Description:** Terreon is an NAHB-certified densified solid surface material composed of polyester resin and is resistant to chemicals, stains, burns and impact. Surface damage can be easily repaired with everyday cleansers or fine grit abrasives.

**Routine Cleaning:** Clean daily or as often as conditions require using a standard commercial or household cleaner such as Formula 409® or Windex®.

**Stubborn Stains:** Remove tough stains with Ajax®, Comet®, or Soft-Scrub® and a green Scotch-Brite® pad or lightly sand in a circular motion with 240 grit wet/dry sandpaper. The finish can be renewed with a maroon Scotch-Brite pad.

### Special Situations for Terreon Material

**Scratches:** Remove scratches with a green Scotch-Brite pad. The finish can then be renewed with a maroon Scotch-Brite pad, followed by a white Scotch-Brite pad or 30-micron sandpaper.

**Hard Water Deposits:** Remove hard water deposits with a mild solution of vinegar and water. Always rinse the unit thoroughly after cleaning.

**Restoring the surface:** Use Hope's® Solid Surface cleaner and polish to refresh and protect the Terreon Solid Surface material. Bradley recommends additional care and maintenance for the darker colored Terreon. For complete instructions on this additional maintenance, visit [bradleycorp.com](http://bradleycorp.com).

**NOTICE!** Do not use strong acid or alkaline chemicals and cleansers to clean Terreon. If these chemicals come in contact with the surface, wipe them off immediately and rinse with soapy water. Avoid contact with harsh chemicals such as paint remover, bleach, acetone, etc. Avoid contact with hot pans and objects.

**Repair Kits:** Terreon repair kits are available. Contact your Bradley representative or distributor for part numbers and pricing. Repair kits are made to order and have a shelf life of 30 days.



*Terreon® is a unique, cast solid surface material. Aggregate flow and distribution as well as shades of color can vary from product to product creating natural characteristics.*

## Cleaning and Maintenance for Stainless Steel

**Material Description:** Stainless steel is extremely durable, and maintenance is simple and inexpensive. Proper care, particularly under corrosive conditions, is essential. Always start with the simplest solution and work your way toward the more complicated.

**Routine cleaning:** Daily or as often as needed use a solution of warm water and soap, detergent, or ammonia. Apply the cleaning solution per the manufacturer's instructions and always use a soft cloth or sponge to avoid damaging the finish.

**Stubborn Stains:** To remove stains from stainless steel use a stainless steel cleaner and polish such as Ball® stainless steel cleaner or a soft abrasive. Always follow the manufacturer's instructions and apply in the same direction as the polish lines.

**NOTICE!** Never use ordinary steel wool or steel brushes on stainless steel. Always use stainless steel wool or stainless steel brushes.

**Fingerprints and Smears:** To remove fingerprints or smears use a high quality stainless steel cleaner and polish in accordance with the manufacturer's instructions. Many of these products leave a protective coating that helps prevent future smears and fingerprints.

**Grease and Oil:** To remove grease and oil use a quality commercial detergent or caustic cleaner. Apply in accordance to the manufacturer's instructions and in the direction of the polish lines.

**Precautions:** Avoid prolonged contact with chlorides (bleaches, salts), bromides (sanitizing agents), thiocyanates (pesticides, photography chemicals, and some foods), and iodides on stainless steel equipment, especially if acid conditions exist.

**NOTICE!** Do not permit salty solutions to evaporate and dry on stainless steel.

The appearance of rust streaks on stainless steel leads to the belief that the stainless steel is rusting. Look for the actual source of the rust in some iron or steel particles which may be touching, but not actually a part of the stainless steel structure.

**NOTICE!** Strongly acidic or caustic cleaners may attack the steel causing a reddish film to appear. The use of these cleaners should be avoided.

## Brand Names

Use of brand names is intended only to indicate a type of cleaner. This does not constitute an endorsement, nor does the omission of any brand name cleaner imply inadequacy. Many products named are regional in distribution, and can be found in local supermarkets, department and hardware stores, or through your cleaning service. It is emphasized that all products should be used in strict accordance with package instructions.