



Model 4791-15 — Surface-Mounted with Shelf

Standard Series — Satin Finish

**Product Materials**

**COVER** fabricated of 22 gauge stainless steel with exposed surfaces in architectural satin finish. Heavy duty stainless steel piano hinge.

**CONTAINER** fabricated of 22 gauge stainless steel with exposed surfaces in architectural satin finish. All welded construction with rounded front corners. Bottom equipped with lock and heavy duty stainless steel piano hinge.

**SHELF** fabricated of 22 gauge stainless steel with exposed surfaces in architectural satin finish. Securely welded to container.

**Operation**

Bottom opens for removal of waxed paper liner. Box of 500 waxed paper liners are available by ordering part number P11-022.

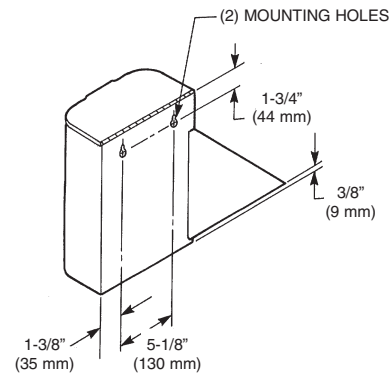
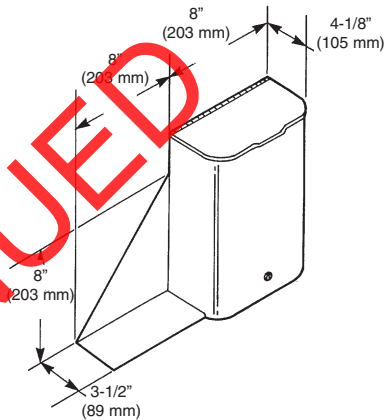
**Installation**

Verify all rough-in dimensions prior to installation. Secure to wall or partition with mounting screws (included) at holes provided.

**Guide Specification**

Surface mounted napkin disposal with shelf shall be fabricated of 22 gauge stainless steel with exposed surfaces in satin finish. Top attached by piano hinge. Bottom hinged for easy servicing.

**Overall dimensions: 16"W x 11-1/4"H x 4-1/8"D.**



DISCONTINUED