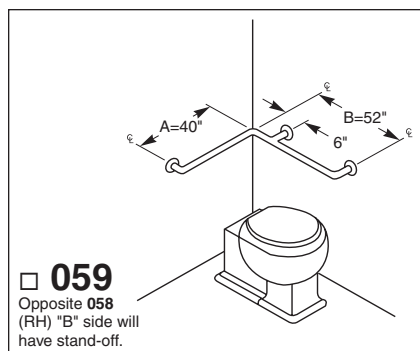
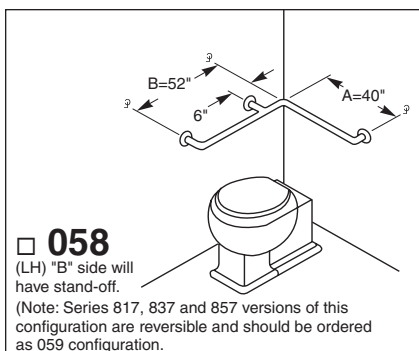
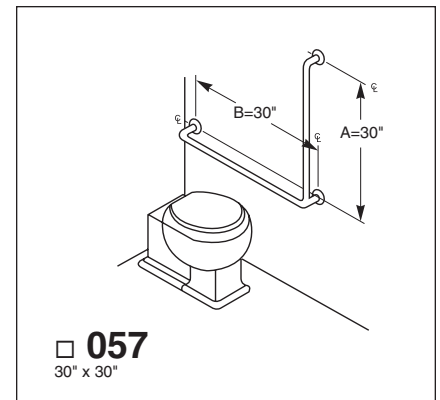
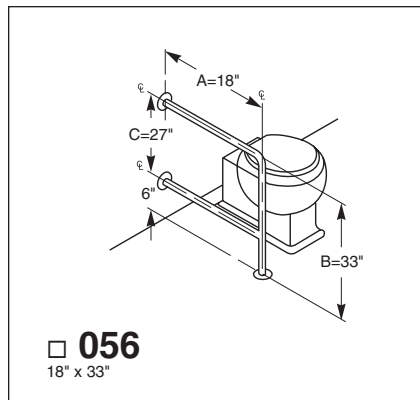
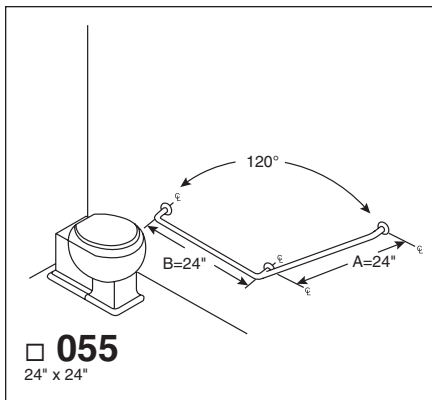
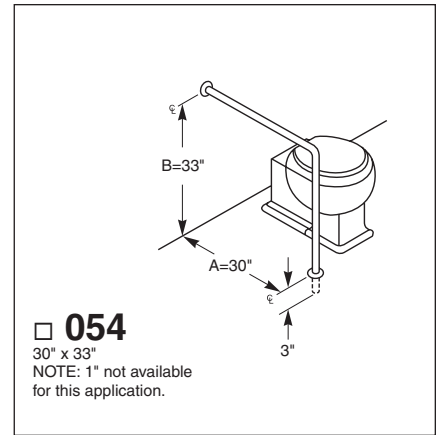
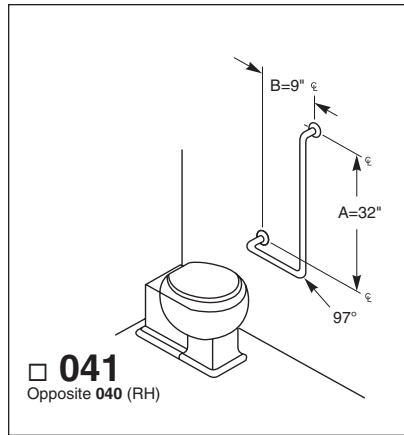
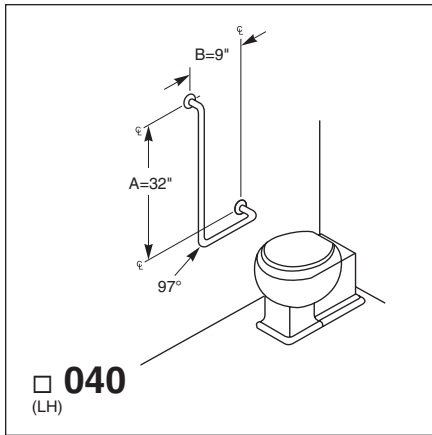




Typical Water Closet Applications:



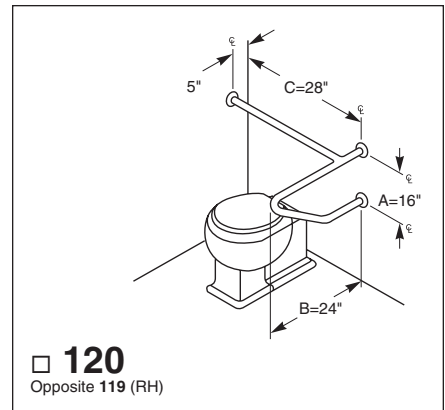
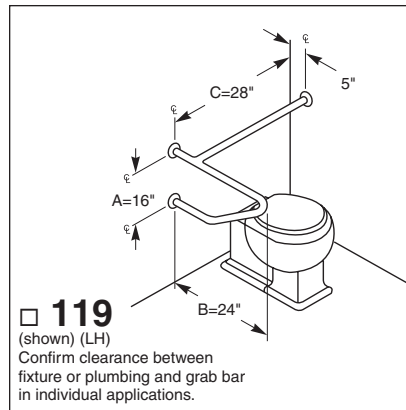
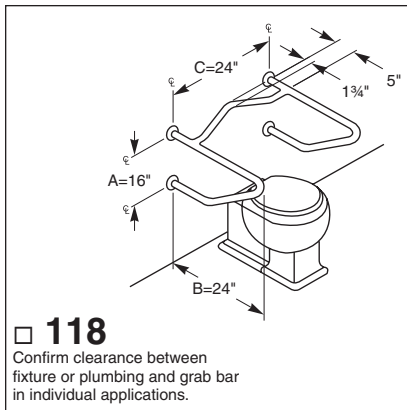
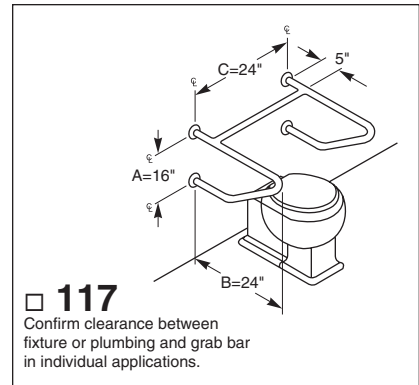
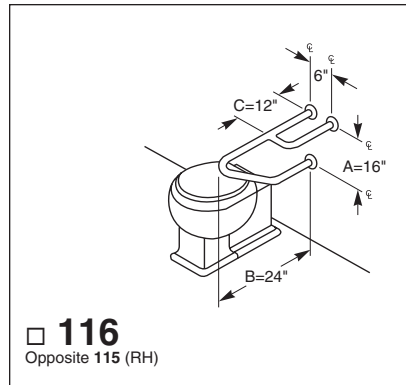
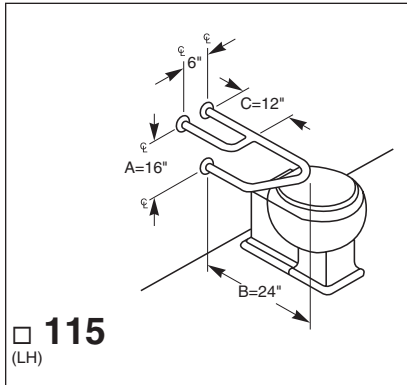
ADA Compliant

- Consult local and national accessibility codes for proper installation guidelines.
- Conformity and compliance to local and national codes is the responsibility of the installer.

NOTE: When Grab Bar dimensions are modified, a support will be added to all sections longer than 54".



Typical Water Closet Applications:



ADA Compliant

- Consult local and national accessibility codes for proper installation guidelines.
- Conformity and compliance to local and national codes is the responsibility of the installer.

NOTE: When Grab Bar dimensions are modified, a support will be added to all sections longer than 54".