

Installation Instructions

Infrared Control Conversion Kit for Classic Washfountains (Sectional)

Model S50-322 for 36" Semi-Circular
Model S50-321 for 54" Semi-Circular
Model S50-320 for 36" Circular
Model S50-319 for 54" Circular

(Model numbers ending in "S" include a new sectional sprayhead for non-sectional models)

Table of Contents

Pre-Installation Information	2
Parts List	2
Installation Instructions	3-6
Assembly of Components	7
Installation Template for Solenoid Valve	8



IMPORTANT

Read this entire installation manual to ensure proper installation.

Your Conversion Kit must be connected with the 24 VAC transformer provided. Connection to 110 VAC will result in damage to the electronics and could result in personal injury.

Flush all the water supply lines before making connections.

This installation manual and parts list should be filed by the owner or maintenance department.



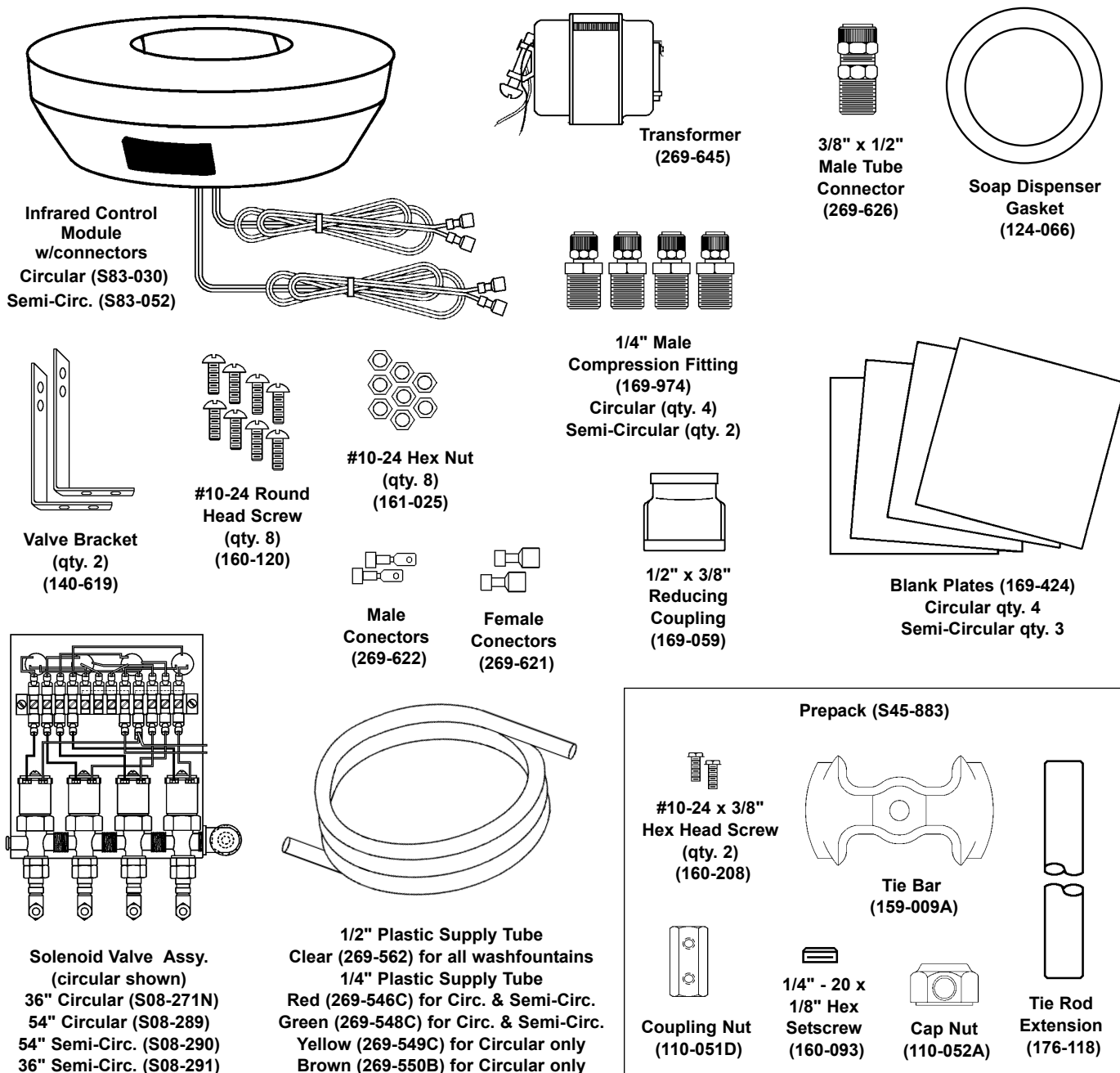
Pre-Installation Information

Supplies Required:

- Teflon tape or pipe dope
- 18-gauge two-conductor lamp cord if remote transformer is located further than six feet from the washfountain.

Check Contents

Separate all parts from packaging and check each part with the drawing below. Make sure all parts are accounted for before discarding any packaging material. If any parts are missing, do not attempt to install your Bradley Infrared Control Conversion Unit until you obtain the missing parts.



Installation Instructions

Step 1: Electrical hook-up

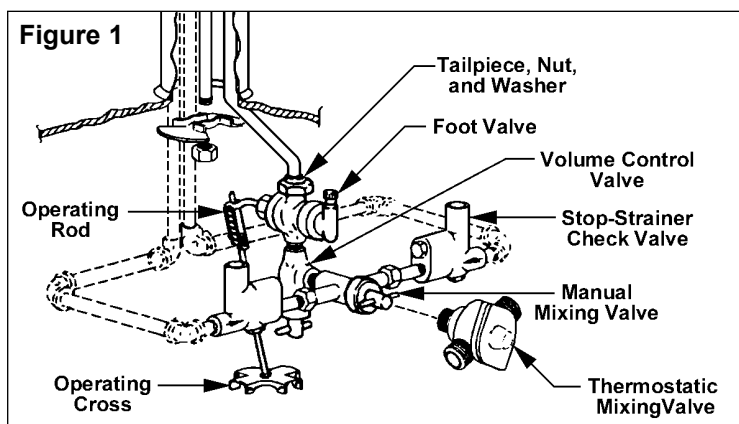
NOTE: Always check local codes for compliance.

1. Find a convenient location for the transformer and wire the 24 VAC UL Class II to the washfountain (no conduit is required). If additional 18-gauge lamp wire is required, the two insulated female connectors provided must be installed on the washfountain end of the wire, enabling the wire to be connected to the solenoid assembly.

Step 2: Remove old valves

NOTE: Refer to Figure 1 for old valves.

1. Turn the water supply off.
2. Remove the pedestal panels to access the valves.
3. Disconnect the sprayhead supply pipe.
4. Remove the old valves.
 - **For Circular models:** Locate the foot rail and drive out the tapered pin from the small end. Spread the foot rail and lift over the bowl to remove.
 - **For Semi-Circular models:** Disconnect the pivot bolts. Remove the foot levers/pedals and parts for foot operating mechanisms. If desired, install blank plates to cover the foot lever holes.

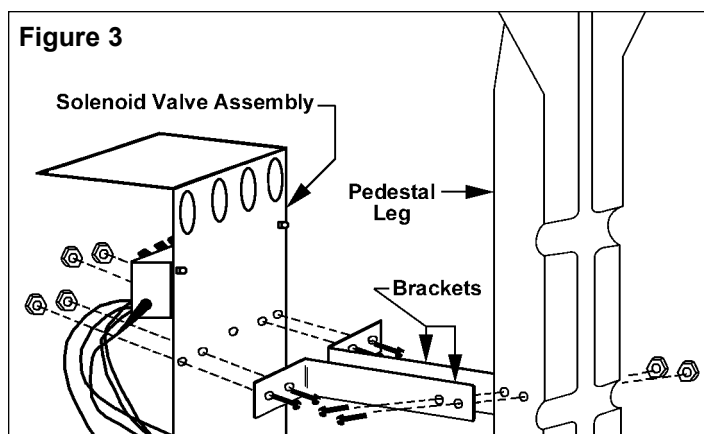
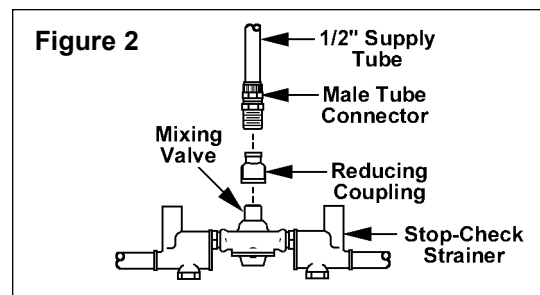


Step 3: Install solenoid valve assembly.

1. Install the reducing coupling and male tube connector onto the mixing valve with pipe thread sealant (see Figure 2).
2. Drill the pedestal leg, using the template found on page 8.
3. Install the brackets and solenoid valve onto the pedestal leg with screws and nuts provided (see Figure 3).

NOTE: Each valve bracket requires two screws and bolts to secure the bracket to the pedestal leg. Two screws and bolts are hidden from view by the pedestal leg in Figure 3.

4. Install the 1/2" supply tube between the mixing valve and the solenoid assembly using the 1/2" x 3/8" reducer coupling and 3/8" x 1/2" tube connector (see Figure 7 on page 6 for supply tube connection location on the solenoid valve assembly).



Installation Instructions continue...

Installation Instructions *continued...*

Step 4: Install supply tubes

1. Remove the tie rod, upper tie bar, soap dispenser, spacer and sprayhead.
2. Remove the copper supply pipe from the sprayhead.
3. Install the male tube connectors into the sprayhead with pipe thread sealant (Figure 4).
4. Insert the 1/4" O.D. plastic supply tubes into the fittings as shown in Figure 4 and Figure 5 on page 5.
5. Replace the sprayhead onto the support tube.

NOTE: If a conversion from a non-sectional unit to a sectional unit is desired, replace the old sprayhead with the new one provided in the kit.

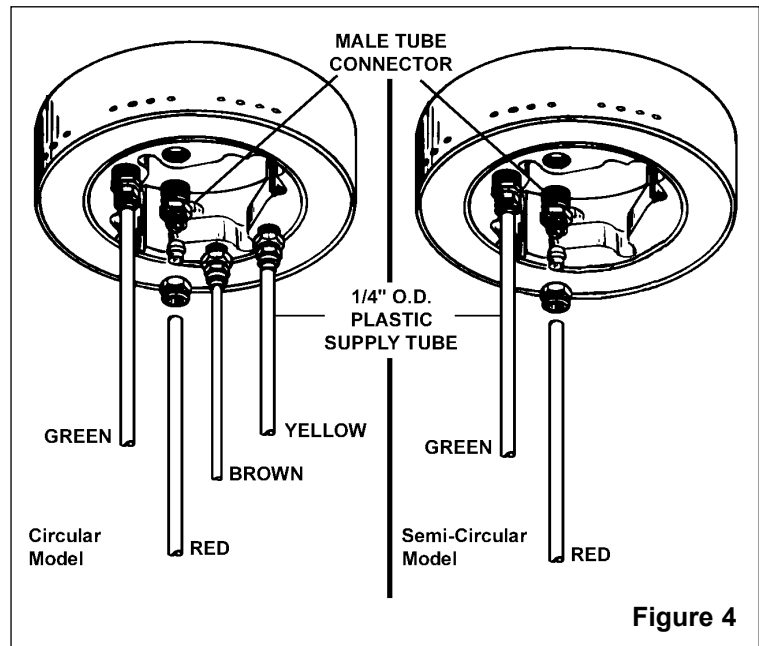


Figure 4

6. Connect the color-coded supply tubes to the corresponding solenoid (see Figure 7 on page 6). Push the supply tube past the O-ring in the connector on the solenoid for proper seating (no tools needed).

Step 5a: Install Infrared module into washfountain with soap dispenser

NOTE: For washfountains without soap dispenser, follow the instructions provided in Step 5b on page 5.

NOTE: Refer to Figures 5 and 6 on page 5, Figure 7 on page 6 and Figure 8 on page 7 when installing the module and soap dispenser.

1. Install the upper tie bar on the sprayhead and install the tie rod through the center hole of the upper tie bar.
2. Install the lower tie bar and tie rod nut onto the bottom of the tie rod under the bowl.
3. Feed the female and male connectors attached to the module down through the support tube.
4. Place the module on the sprayhead and position with the sensors pointed toward wash areas.

NOTE: Make sure that the module is properly aligned with the sprayhead (the module wires are labeled, match "green" to "green" and "brown" to "brown, etc. as shown in Figures 5 and 6).

5. Assemble the coupling nut and the module tie rod extension to the top of the sprayhead tie rod.
6. Install the module cover, soap gasket, soap dispenser, dispenser cover and cap nut; tighten securely.

NOTE: Verify that the electrical source to the terminal block is 24VAC.

7. Connect the color-coded pair of wires with the female connectors from the module to the solenoid with the matching color-coded tube (refer to Figure 7 on page 6).
8. Connect the pair of wires from the transformer supplied to the solenoid assembly, then plug into your power source.
9. Turn the water supply back on. Check for leaks and adequate water flow. Also check to make sure that the proper sensor is lined up with the correct quadrant.
10. Replace the access panels on both sides of the washfountain.

Installation Instructions *continued...*

Step 5b: Install infrared module into washfountain without soap dispenser

NOTE: For washfountains with soap dispenser, follow the instructions provided in Step 5a on page 4.

NOTE: Refer to Figures 5 and 6, Figure 7 on page 5 and Figure 8 on page 7 when installing the module.

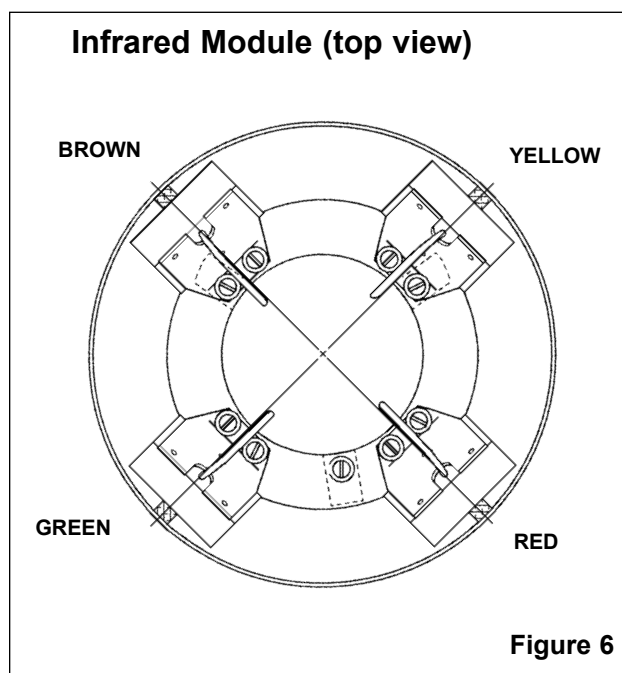
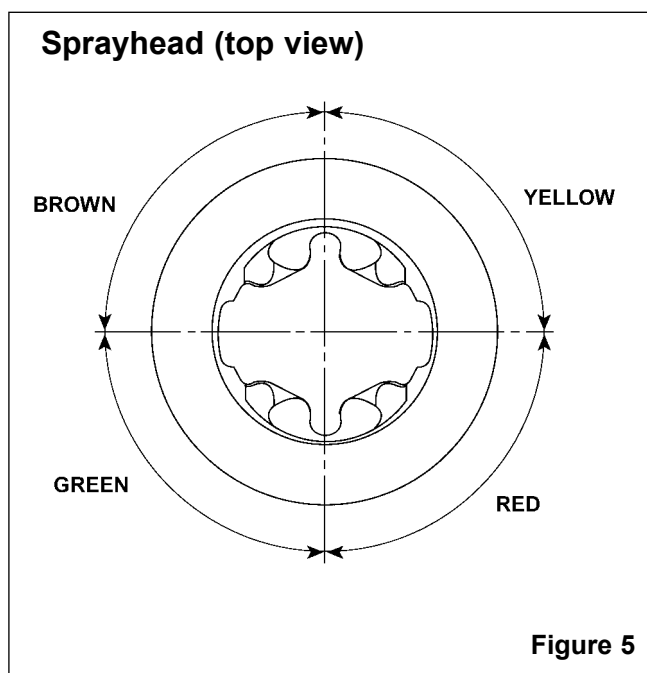
1. Install the upper tie bar (furnished in kit) onto the sprayhead.
2. Assemble the coupling nut and module tie rod extension to the sprayhead tie rod and install the assembly through the center hole of the upper tie bar.
3. Install the lower tie bar and tie rod nut onto the bottom of the tie rod under the bowl.
4. Feed the female and male connectors attached to the module down through the support tube.
5. Place the module on the sprayhead and position with the sensors pointed toward wash areas.

NOTE: Make sure that the module is properly aligned with the sprayhead (the module wires are labeled, match "green" to "green" and "brown" to "brown, etc. as shown in Figures 5 and 6).

6. Place the cover on the module. Install the sprayhead cover on the module and tighten securely with the cap nut.

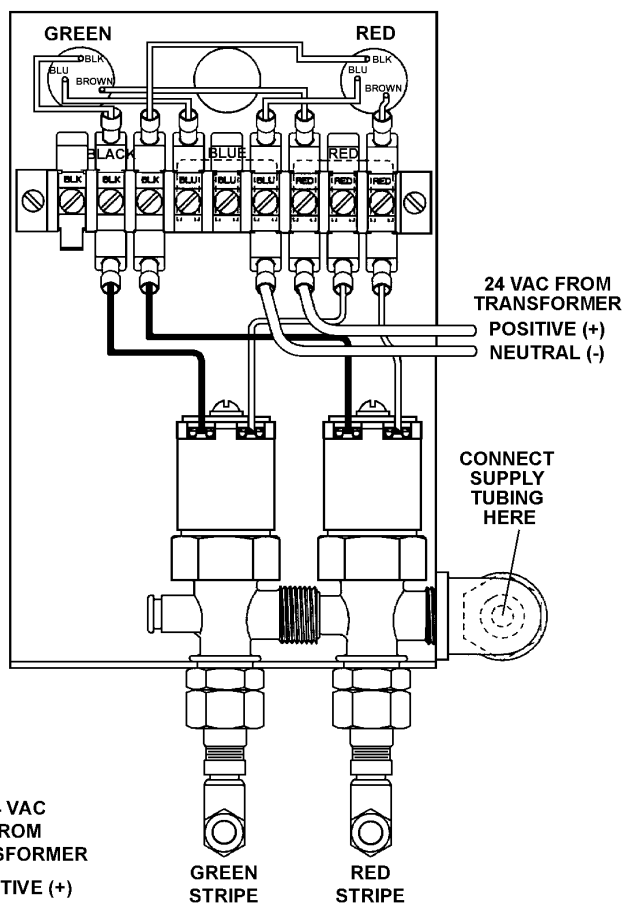
NOTE: Verify that the electrical source to the terminal block is 24VAC.

7. Connect the color-coded pair of wires with the female connectors from the module to the solenoid with the matching color-coded tube (refer to Figure 7 on page 6).
8. Connect the pair of wires from the transformer to the solenoid, then plug into your power source.
9. Turn the water supply on. Check for leaks and adequate water flow. Also check to make sure that the proper sensor is lined up with the correct quadrant.
10. Replace the access panels on both sides of the washfountain.



Solenoid and Tubing Connections

For Semi-Circular Washfountains



For Circular Washfountains

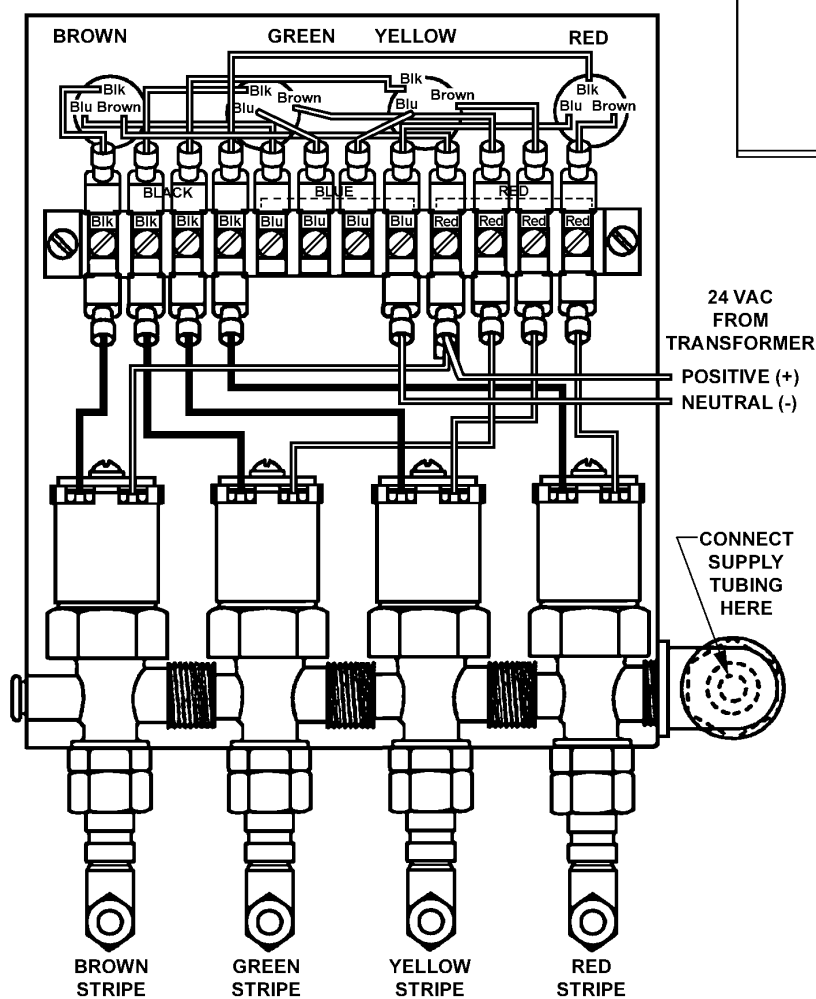


Figure 7

Assembly of Components

Assembly for semi-circular washfountain shown

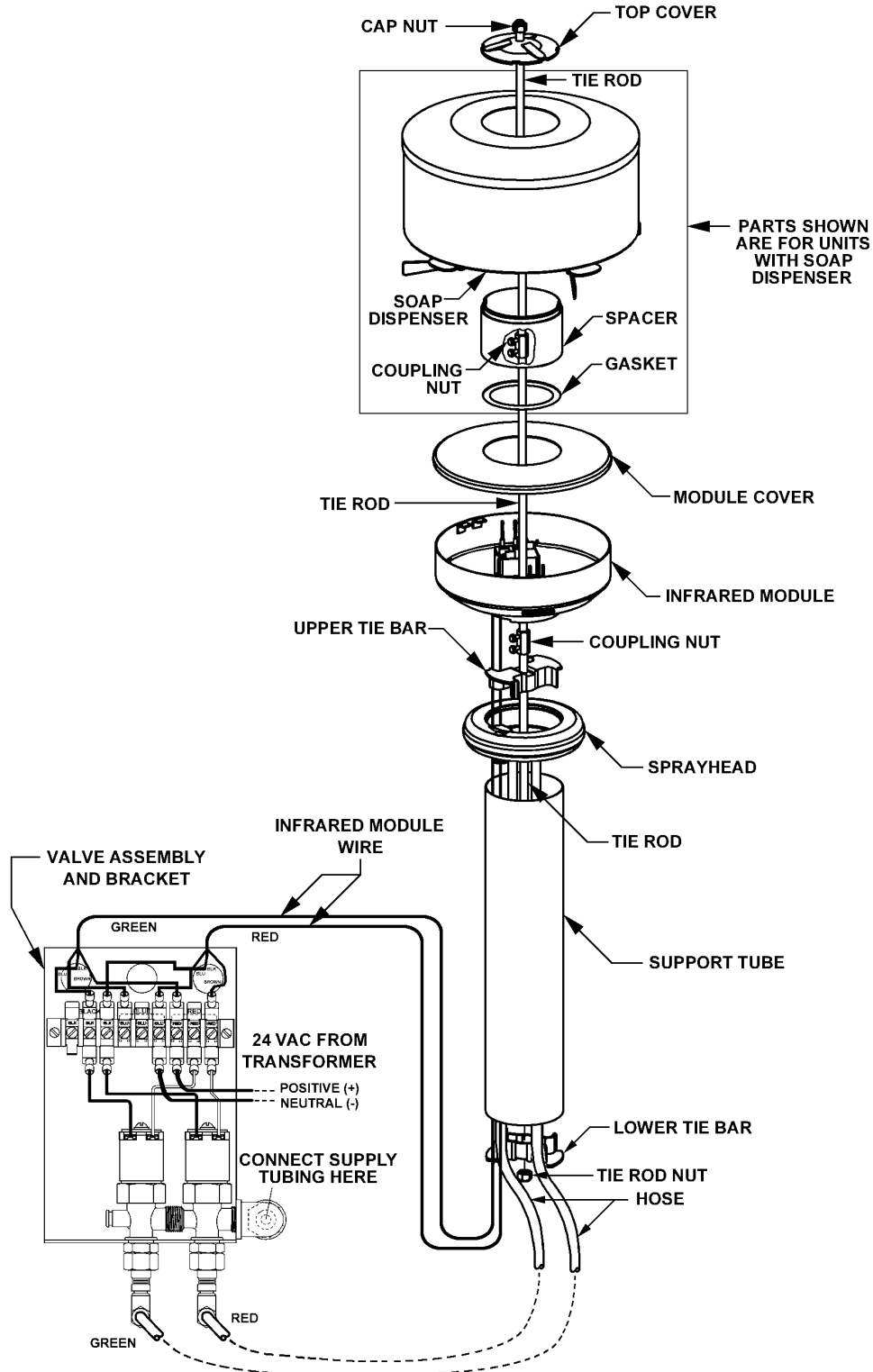


Figure 8

Template for Solenoid Valve Installation

(see page 3 for installation instructions)

