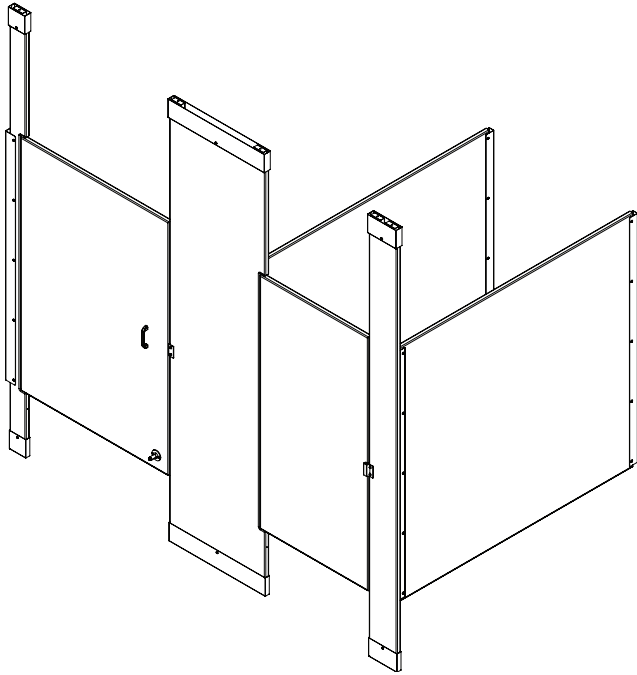


Installation

Bradmar™ Restroom Partitions Floor-to-Ceiling — Series 700 (includes No-Site style)



**For Standard Height
Doors and Panels Only**

Table of Contents

Pre-Installation Information	2-3
Layout Dimensions for Brackets	4
Mounting Brackets to Wall	5-6
Leveling Screws to Pilaster	6
Mounting Brackets to Pilasters	7-8
Pilaster Mounting Hardware	8-9
Pilasters and Panels	10-12
Pilaster Shoes	13
Hinges	14-21
Door Hardware	22-29
Stiffener Bracket	30
Urinal Screens	31-33



⚠ WARNING

Before beginning installation, make sure that the wall and floor backing are adequate to support the secure mounting of the toilet compartment units.

Partitions are extremely heavy and may require more than one person to position and install.

Failure to comply with these instructions may result in personal injury and/or property damage and will void the partition warranty.

⚠ CAUTION

Personal protective equipment (PPE) is required during the installation and maintenance of this product.

NOTICE

Leave the protective masking on until installation is complete. To prevent warping, always lay the material flat. Do not lean the material against the wall or stack unevenly. Allow 24 hours for material to adjust to site environment. Partitions should be installed in a climate-controlled environment and shielded from direct sunlight.

Make sure all floors and walls are clean and smooth. Remove loose impediments, such as protruding nails and other debris which could affect installation.

Use caution when drilling. Accuracy is important.

Carefully remove components from skid, do not drag.

IMPORTANT

Review your partition layout drawings and verify the number of stalls and components before beginning installation.

Read this installation manual completely to ensure proper installation, then file it with the owner or maintenance department. This installation manual provides instruction for the assembly of normal partition configurations and standard components. Non-standard configurations or components including but not limited to curved or angled walls, partial walls, oversized panels, or modified hardware are not covered in this manual. Compliance and conformity to local codes and ordinances is the responsibility of the installer.

Separate parts from packaging and make sure all parts are accounted for before discarding packaging material. If any parts are missing, do not begin installation until you obtain the missing parts.

Product warranties and parts information may be found under "Products" on Bradley's website at bradleycorp.com.

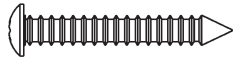
Supplies Required:

- Chalk line and pencil
- Flat blade and Phillips head screwdrivers
- Jigsaw or hacksaw
- Circular saw
- Two spring clamps
- 3/32", 7/64", 1/8", 5/32", 13/64", 7/32" and 1/4" drill bits
- Power drill or screw gun with drill bit extension
- Tape measure and 4' level
- 5/16" ceramic tile and masonry drill bit
- Hammer drill
- Spacer, 14" (356mm) high and strong enough to support the panel

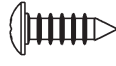
Hardware Provided



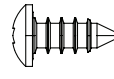
#14-16 Plastic Anchor
FAST-T373



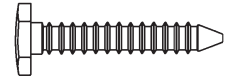
#14 x 2"
Button-Head Sheet Metal Screw
TORX-T27 Drive
FAST-P002



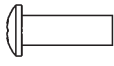
#14 x 3/4"
Button-Head Sheet Metal Screw
TORX-T27 Drive
FAST-P001



#14 x 5/8"
Button-Head Sheet Metal Screw
TORX-T27 Drive
FAST-S0016



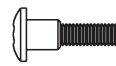
5/16" x 1-1/2"
Hex Head Lag Screw
FAST-S008



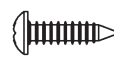
#10-24 x 3/4"
Button-Head Barrel Nut
TORX-T27 Drive
FAST-P003



#8 x 1"
Flat Head Sheet Metal Screw
Phillips Drive
FAST-P006



#10-24 x 3/4"
Button-Head Shoulder Screw
TORX-T27 Drive
FAST-P004



#10 x 3/4"
Button-Head Sheet Metal Screw
TORX-T25 Drive
FAST-P005



#6 x 3/4"
Phillips Flat Head Sheet Metal Screw
FAST-P011



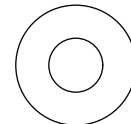
#10 x 3/4"
Flat Head Sheet Metal Screw
TORX-T25 Drive
FAST-S0006



1/4" - 14 x 5/8"
Sheet Metal Screw
Torx-T27 Drive
FAST-S355A

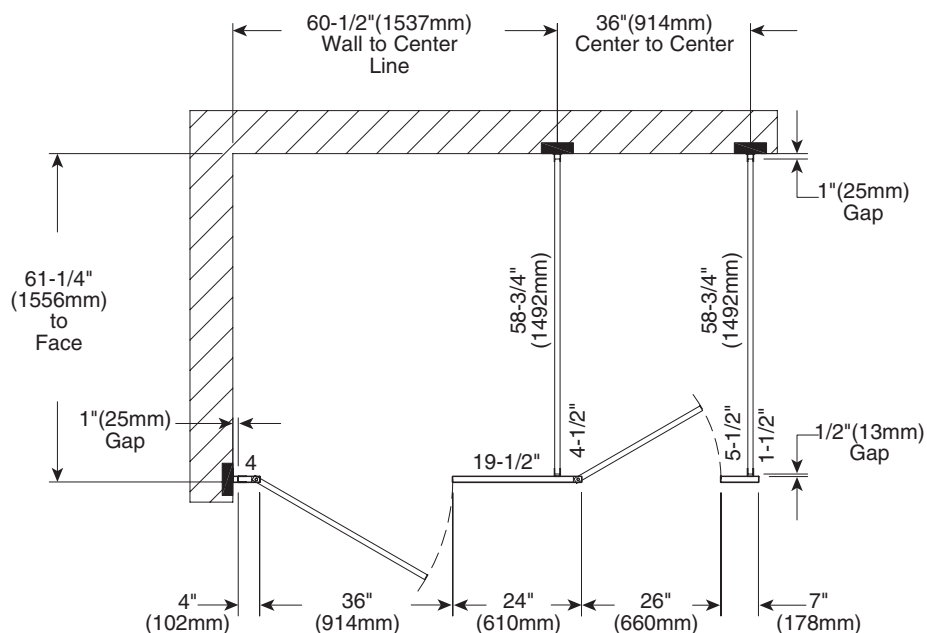


#10-24 x 2"
Flat Head Machine Screw
TORX-T25 Drive
FAST-S0027



9/32" x 5/8"
Flat Washer
P10-449

Example of Submittal Drawing



1 Layout Dimensions - Continuous Brackets (Standard)

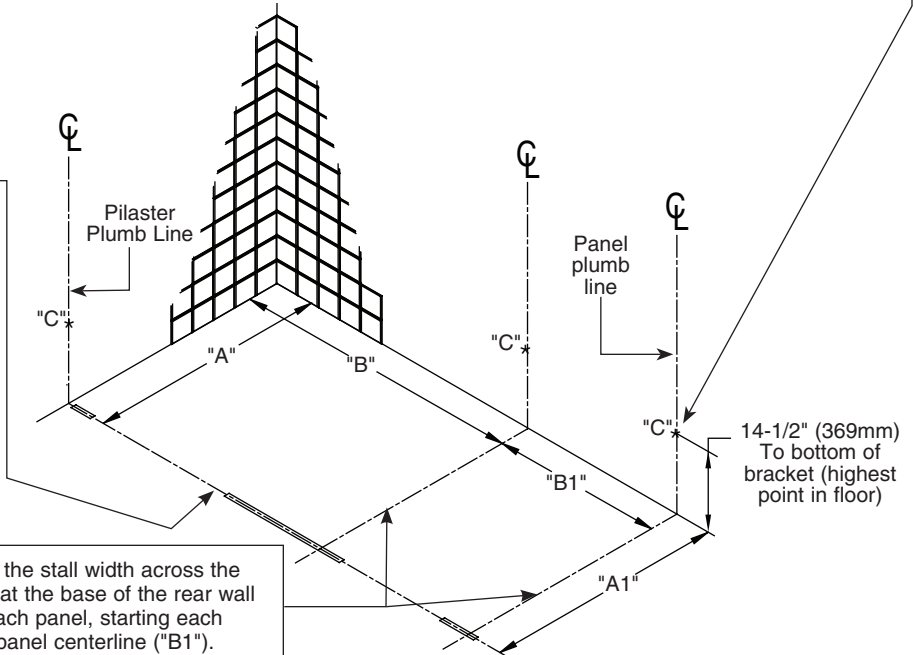
When installing the partition components, consult the applicable Mills Partition submittal drawing for compartment layout dimensions.

C Draw a plumb line on all walls from each pilaster and panel centerline. From the highest point in the room, measure 14-1/2" (369mm) from the floor and place a mark on the pilaster/panel plumb line. Use a level to transfer that mark to all other plumb lines ("C").

A **Pilaster Centerline:** Measure from the back wall forward to the face of the compartment, subtract 1/2" (13mm) and mark this location on the floor ("A"). Mark the same measurement on the opposite end of your layout ("A1") and draw a straight line connecting both marks.

For Freestanding (FS) Partitions: Refer to submittal drawings and determine the approximate location of the outside panels. Establish dimensions "A" and "A1" as explained above.

B **Panel Centerline:** Measure the stall width across the back wall and place a mark at the base of the rear wall ("B"). Repeat this step for each panel, starting each measurement from the last panel centerline ("B1").



1a Layout Dimensions - Stirrup Brackets (Optional)

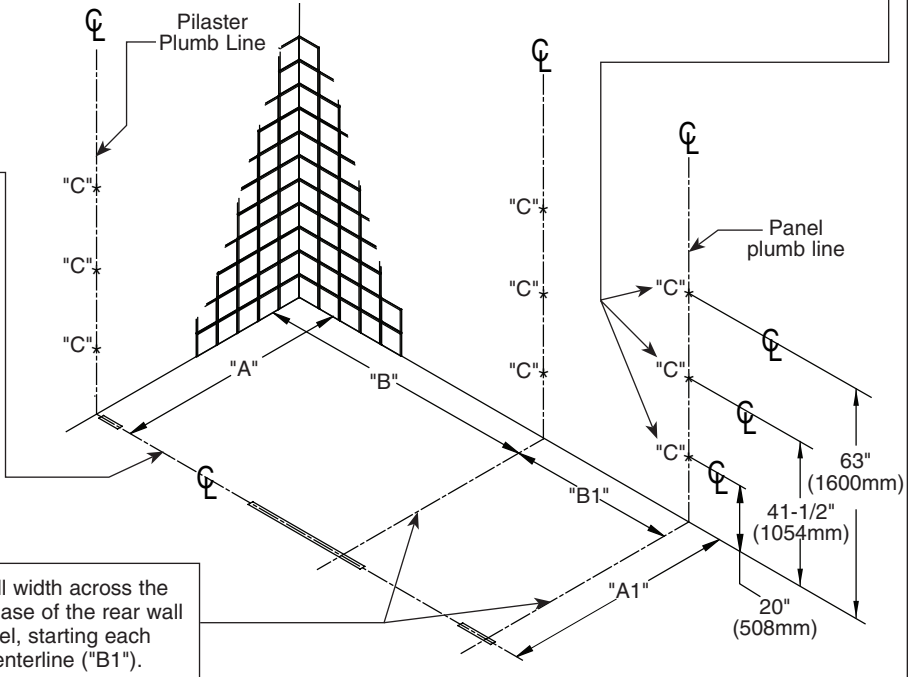
When installing the partition components, consult the applicable Mills Partition submittal drawing for compartment layout dimensions.

C Draw a plumb line on all walls from each pilaster and panel centerline. From the highest point in the room, measure 20" (508mm), 41-1/2" (1054mm), and 63" (1600mm) from the floor and place a mark on the pilaster/panel plumb line. These marks represent the hole center line of the stirrup brackets. Use a level to transfer that mark to all other plumb lines ("C").

A **Pilaster Centerline:** Measure from the back wall forward to the face of the compartment, subtract 1/2" (13mm) and mark this location on the floor ("A"). Mark the same measurement on the opposite end of your layout ("A1") and draw a straight line connecting both marks.

For Freestanding (FS) Partitions: Refer to submittal drawings and determine the approximate location of the outside panels. Establish dimensions "A" and "A1" as explained above.

B **Panel Centerline:** Measure the stall width across the back wall and place a mark at the base of the rear wall ("B"). Repeat this step for each panel, starting each measurement from the last panel centerline ("B1").



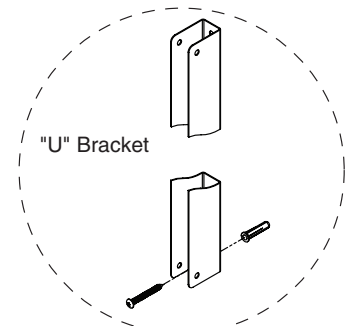
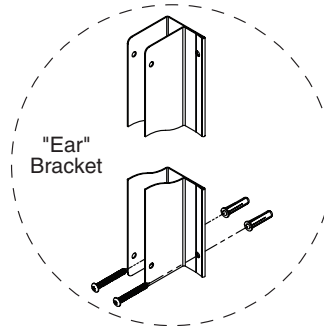
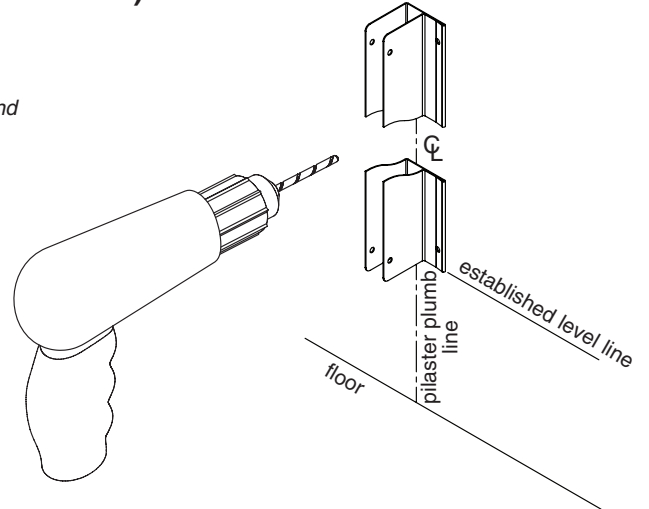
2 Continuous Stainless Steel Brackets to Wall (Standard)

- ✓ On pilaster applications, position the bracket with the ear facing toward the inside of the stall.
- ✓ Pilaster bracket shown here; "EAR" brackets are for pilasters and "U" brackets are for panels.
- ✓ Brackets are used as templates, but since the hole patterns may be different, the brackets may not be interchangeable.

A Place the bottom of each continuous bracket at the established level line. Center the bracket opening on the plumb line.

B Using the bracket as a template, mark the hole locations on the wall. Remove the bracket and drill a Ø5/16" hole (min. 2" [51mm] deep) at each hole location.

C Insert the plastic anchors in all holes and secure the brackets to the wall with the #14 x 2" screws provided.



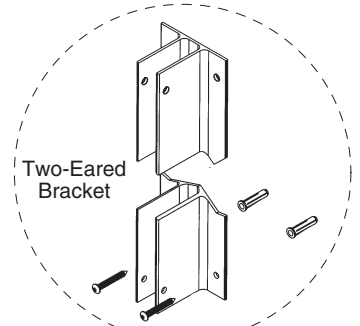
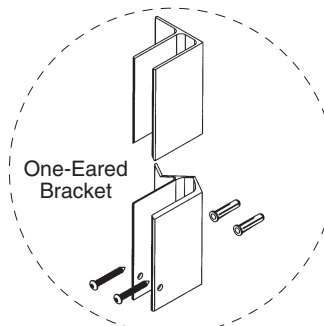
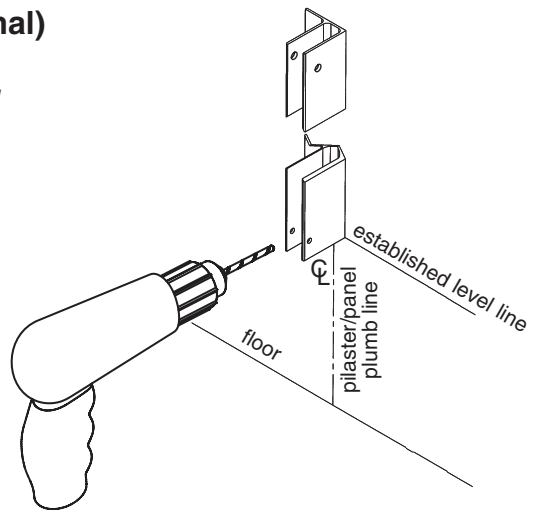
2a Continuous Aluminum Brackets to Wall (Optional)

- ✓ Single "EAR" bracket is shown here; single "EAR" brackets are for end panels and pilasters; double "EAR" brackets are for dividing panels.
- ✓ On end panel and pilaster applications, position the bracket with the ear facing toward the inside of the stall.
- ✓ Brackets are used as templates, but since the hole patterns may be different, the brackets may not be interchangeable.

A Place the bottom of each continuous bracket at the established level line. Center the bracket opening on the pilaster/panel plumb line.

B Using the bracket as a template, mark the hole locations on the wall. Remove the bracket and drill a Ø5/16" hole (min. 2" [51mm] deep) at each hole location.

C Insert the plastic anchors in all holes and secure the brackets to the wall with the #14 x 2" screws provided.



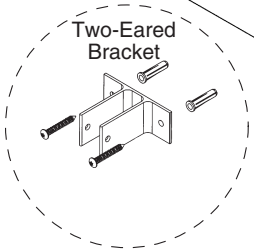
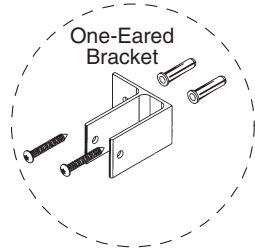
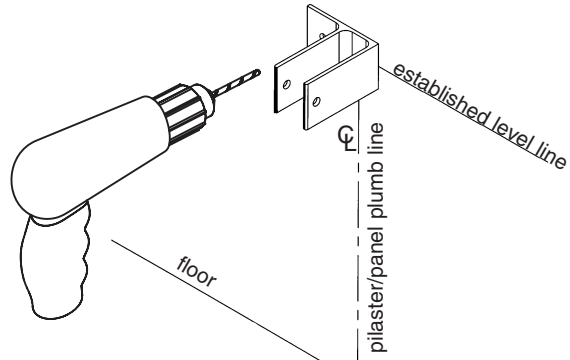
2b Stirrup Brackets to Wall (Optional)

- Single "EAR" bracket is shown here; single "EAR" brackets are for end panels and pilasters; double "EAR" brackets are for dividing panels.
- On end panel and pilaster applications, position the bracket with the ear facing toward the inside of the stall.

A Place the center of each stirrup bracket at the established level line. Center the bracket opening on the pilaster/panel plumb line.

B Using the bracket as a template, mark the hole locations on the wall. Remove the bracket and drill a Ø5/16" hole (min. 2" [51mm] deep) at each hole location.

C Insert the plastic anchors in all holes and secure the brackets to the wall with the #14 x 2" screws provided.

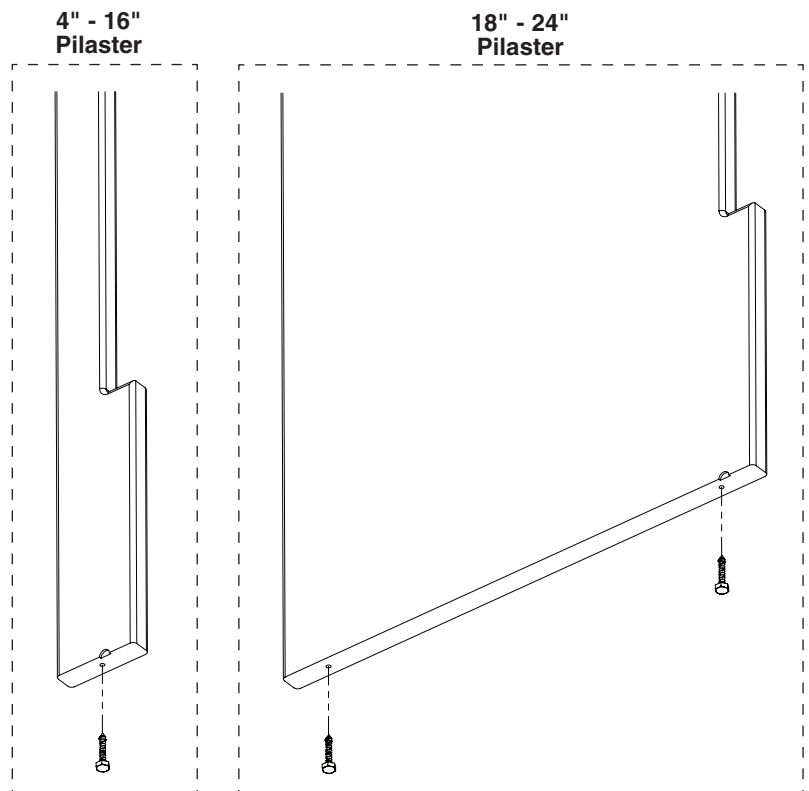


3 Leveling Screws to Pilaster

- For integral hinge and no-site pilasters, a notch will be present on one end of the pilaster to indicate that it is the bottom.

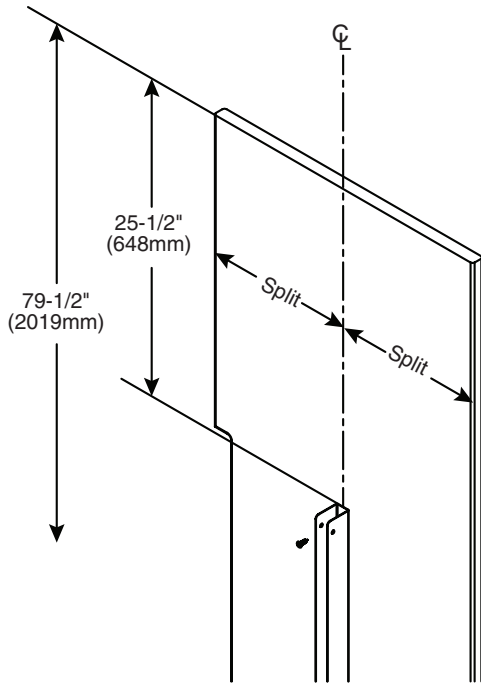
A **4" - 16" Pilaster:** Center and drill a Ø13/64" pilot hole, 1-1/2" (38mm) deep.
18" - 24" Pilaster: Drill (2) Ø13/64" pilot holes, 1-1/2" (38mm) deep. Holes should be 2" (51mm) off each end of the pilaster.

B Use leveling screw(s) to adjust height of pilaster as indicated based on pilaster width.



4 Continuous Brackets to Pilaster (Standard)

- Refer to the submittal drawing to locate the split dimension and layout location of each marked pilaster.
- Brackets are used as templates, but since the hole patterns may be different, the brackets may not be interchangeable.
- Continuous stainless steel bracket shown.



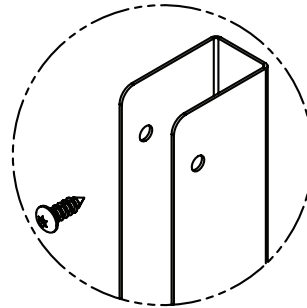
8' Ceiling: Measure 25-1/2" (648mm) and 79-1/2" (2019mm) down from the top of each pilaster and place a mark on the pilaster split centerline.

A Ceiling heights other than 8': add or subtract the appropriate amount to the dimensions shown. For example, a 9' ceiling would add 12" (305mm) to each dimension.

Pilaster shown is for reference only. Actual pilaster varies depending on application.

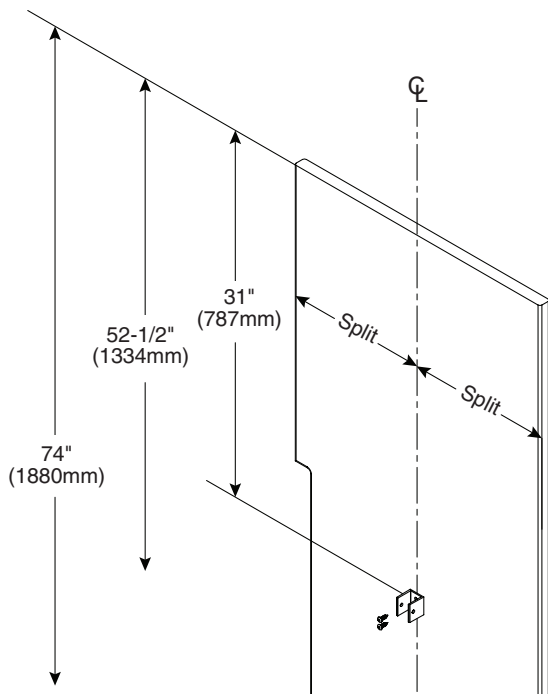
B Place the continuous bracket between each established level line. Center the bracket opening on the pilaster split centerline. Using the bracket as a template, mark the hole locations on the pilaster. Remove the bracket and drill a Ø7/32" pilot hole, 3/4" (19mm) deep at each location.

C Secure the continuous bracket to the pilaster using the #14 x 3/4" screws provided.



4a Stirrup Brackets to Pilaster (Optional)

- Refer to the submittal drawing to locate the split dimension and layout location of each marked pilaster.



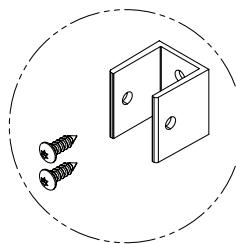
8' Ceiling: Measure 31" (787mm), 52-1/2" (1334mm), and 74" (1880mm) down from the top of each pilaster and place a mark on the pilaster split centerline.

A Ceiling heights other than 8': add or subtract the appropriate amount to the dimensions shown. For example, a 9' ceiling would add 12" (305mm) to each dimension.

Pilaster shown is for reference only. Actual pilaster varies depending on application.

B Place stirrup brackets at each established level line. Center the bracket opening on the pilaster split centerline. Using the bracket as a template, mark the hole locations on the pilaster. Remove the bracket and drill a Ø7/32" pilot hole, 3/4" (19mm) deep at each location.

C Secure the stirrup brackets to the pilasters using the #14 x 3/4" screws provided.



4b Alcove Brackets to Pilaster

- Layouts that use stirrup brackets for pilaster and panel connections will use continuous alcove brackets.
- Refer to the submittal drawing for the layout location of each alcove pilaster.
- Continuous stainless steel bracket shown.

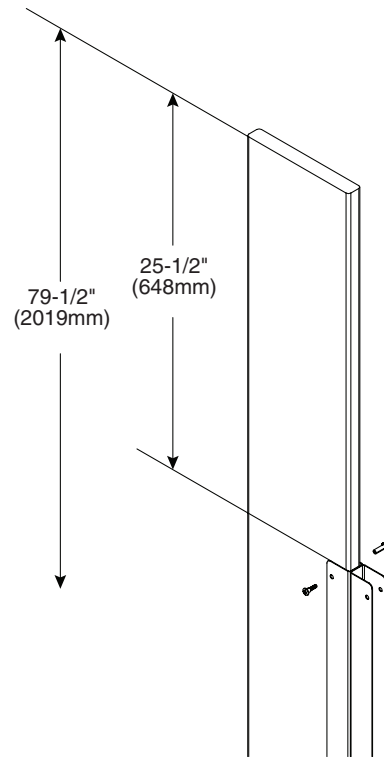
A **8' Ceiling:** Measure 25-1/2" (648mm) and 79-1/2" (2019mm) down from the top of each pilaster and place a mark on the side of the pilaster.

Ceiling heights other than 8': add or subtract the appropriate amount to the dimensions shown. For example, a 9' ceiling would add 12" (305mm) to each dimension.

B Center the bracket between each mark made in Step A and push tight against side of pilaster.

C Using the bracket as a template, mark the hole locations on the pilaster. Remove the bracket and drill Ø1/4" holes through the pilaster at each location.

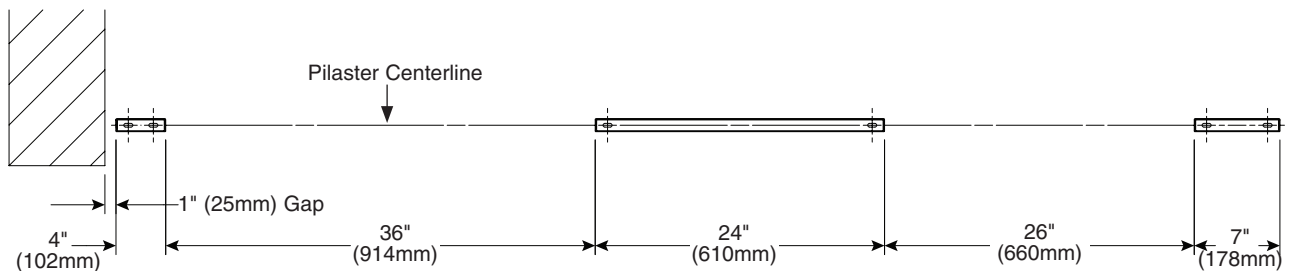
D Secure the bracket to the pilaster using the #10-24 x 3/4" barrel nuts and #10-24 x 3/4" shoulder screws provided.



5 Pilaster Floor Mounting Hardware

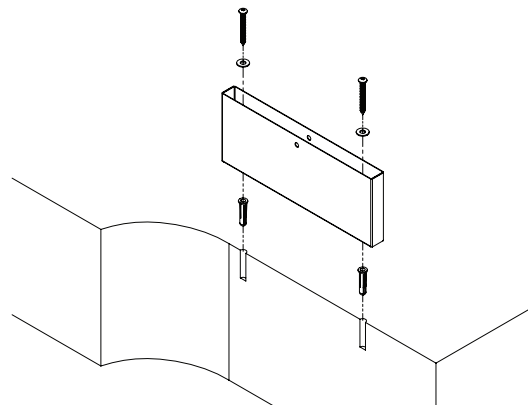
A Starting with the pilaster closest to the wall, measure and mark the pilaster and door widths on the pilaster centerline. Make sure to leave the appropriate gap between the wall and the pilaster. Place the corresponding shoe on the pilaster centerline and center between the marks.

This view is an example only; refer to your submittal drawings for actual sizes.



B Using the shoe as a template, mark the hole locations on the floor. Remove the shoe and drill Ø5/16" holes (min 2" [51mm] deep) into the floor. Make sure the holes are free of dirt and debris.

C Insert plastic anchors into the holes and secure the shoe to the anchors using the 9/32" x 5/8" flat washer and #14 x 2" screws provided.

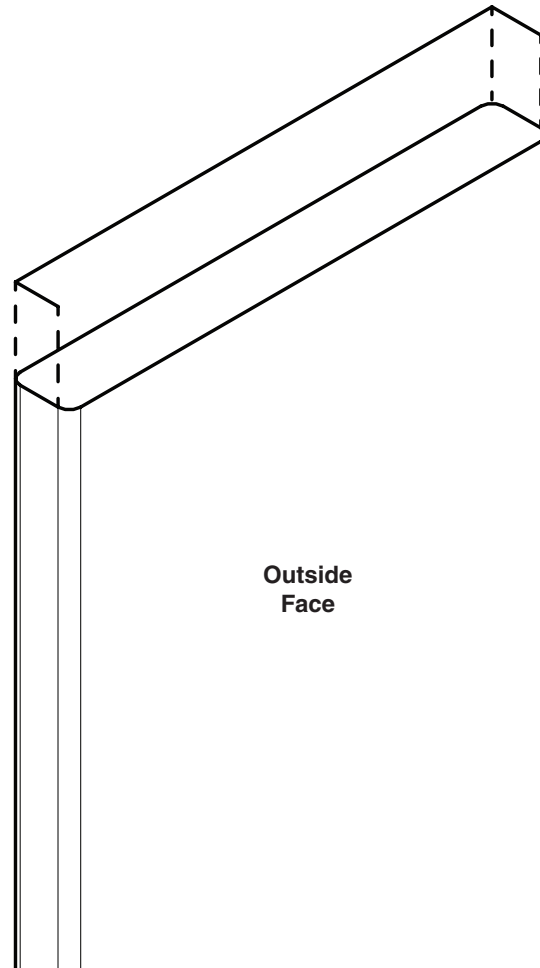
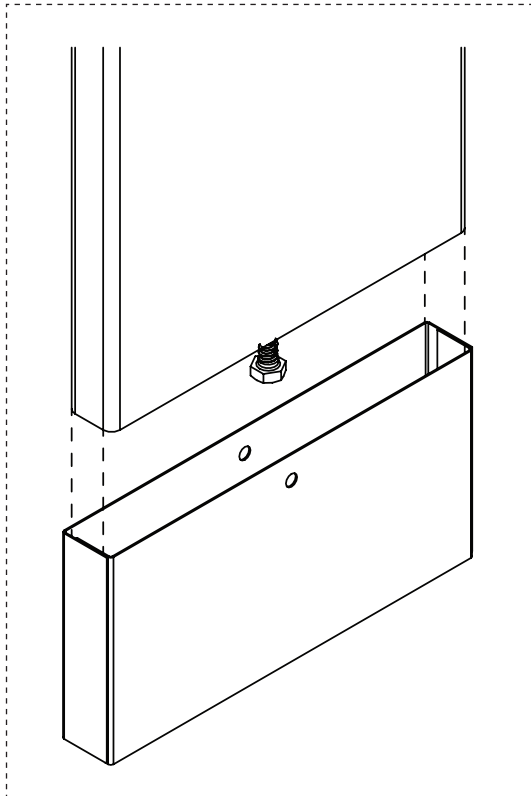


5a Pilaster Ceiling Mounting Hardware



Each pilaster comes with a matching shoe kit containing the required fasteners and "L" brackets for mounting.

A Place the pilaster into the shoe secured to the floor. Verify that the pilaster is plumb in both directions. Project the outer edges and inside face of the pilaster onto the ceiling.



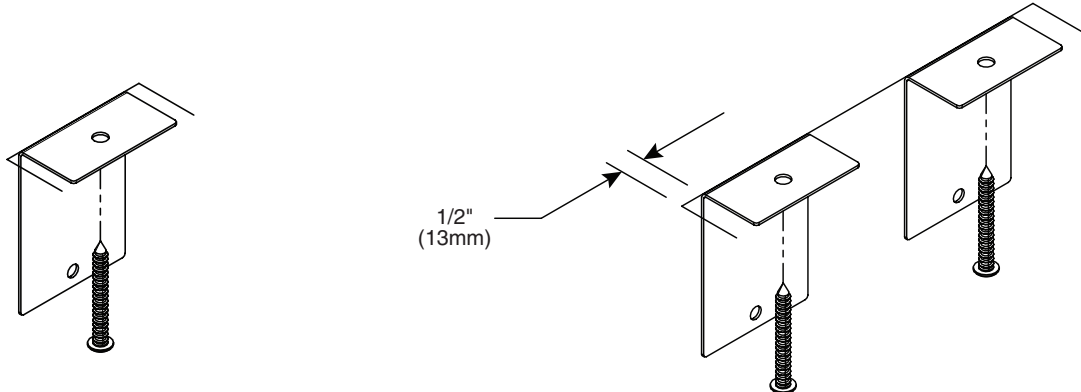
Remove pilaster and position "L" bracket(s) accordingly.

B **4" - 5" Pilasters:** Center (1) "L" bracket between the projected outer edge lines and flush with the projected inside face line.

6" - 24" Pilasters: Place (2) "L" brackets 1/2" (13mm) in from each outer edge line and flush with the projected inside face line.

C Using the bracket as a template, mark the hole location on the ceiling. Remove the bracket and drill a Ø5/16" hole (min 2" [51mm] deep).

D Insert the plastic anchor and secure the bracket to the ceiling with the #14 x 2" screw provided.



6 Pilasters and Panels with Stainless Steel Continuous Brackets (Standard)

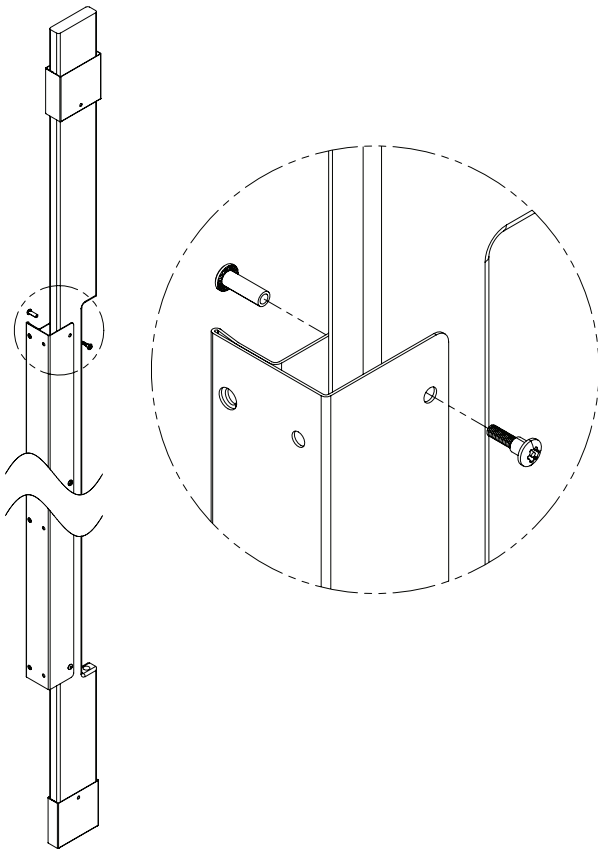
- ✓ *Pilasters located at walls should be mounted first. Start at one end and install a panel, then a pilaster. Continue alternating until installation is complete. When installing in an alcove or in-corner, use an alcove bracket to secure the pilaster to the panel.*
- ✓ *Check to make sure the pilasters are plumb and level to each other. The pilaster height can be adjusted with the leveling screw that was placed at the bottom of the pilaster (see page 5 for attaching leveling screw).*

Pilasters at Wall

- ✓ *When installing pilaster at walls, the gaps range from 1/2" to 1-1/4" (13mm to 32mm). Refer to your submittal drawing for your gap sizes.*

A Slide a shoe onto the top of the pilaster and use a piece of tape to keep the shoe positioned about 5" (127mm) from the end. Make sure the shoe mounting holes are towards the bottom.

B Place the pilaster within the shoe mounted to the floor while at the same time placing the pilaster within the wall bracket.



C Using the bracket as a template, drill Ø1/4" holes through the pilaster at each pilaster bracket hole. Secure the pilaster to the bracket using the #10-24 x 3/4" barrel nuts and #10-24 x 3/4" shoulder screws provided.

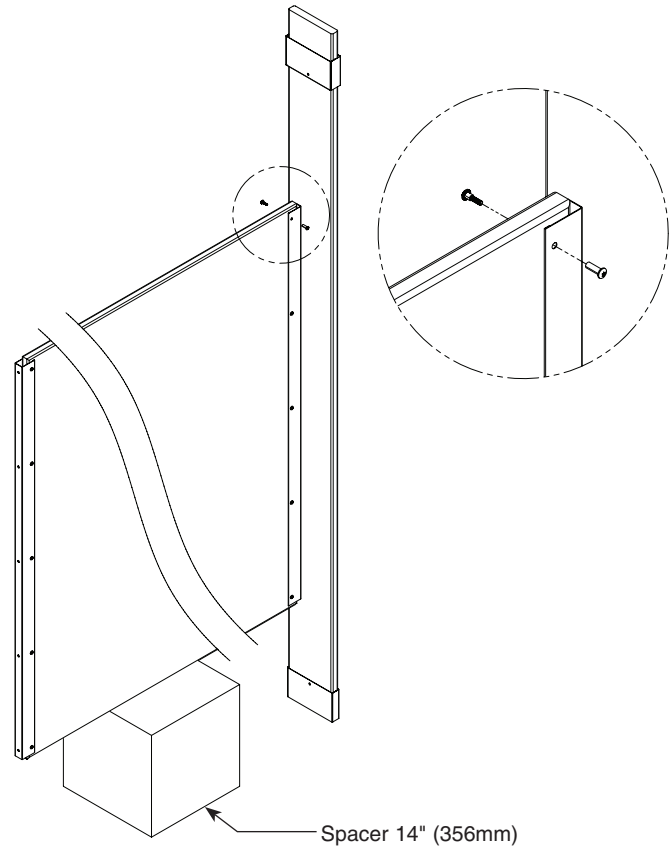
Pilasters with Panels

- ✓ *An aluminum heatsink is secured to one end of the panel to indicate the bottom.*
- ✓ *Refer to your submittal drawing and leave the appropriate gaps. Standard gap is 1" (25mm) between the panel and wall and 1/2" (13mm) between the panel and pilaster.*

A Orientate the panel so the heatsink is on the bottom. Place the panel on the spacer and insert the panel into the wall bracket.

B Slide a shoe onto the top of the pilaster and use a piece of tape to keep the shoe positioned about 5" (127mm) from the end. Make sure the shoe mounting holes are towards the bottom.

C Place the pilaster within the shoe mounted to the floor while at the same time placing the bracket around the panel.



D Using the bracket as a template, drill Ø1/4" holes through the panel at each panel bracket hole. Secure the panel to the bracket using the #10-24 x 3/4" barrel nuts and #10-24 x 3/4" shoulder screws provided.

6a Pilasters and Panels with Aluminum Continuous Brackets (Optional)

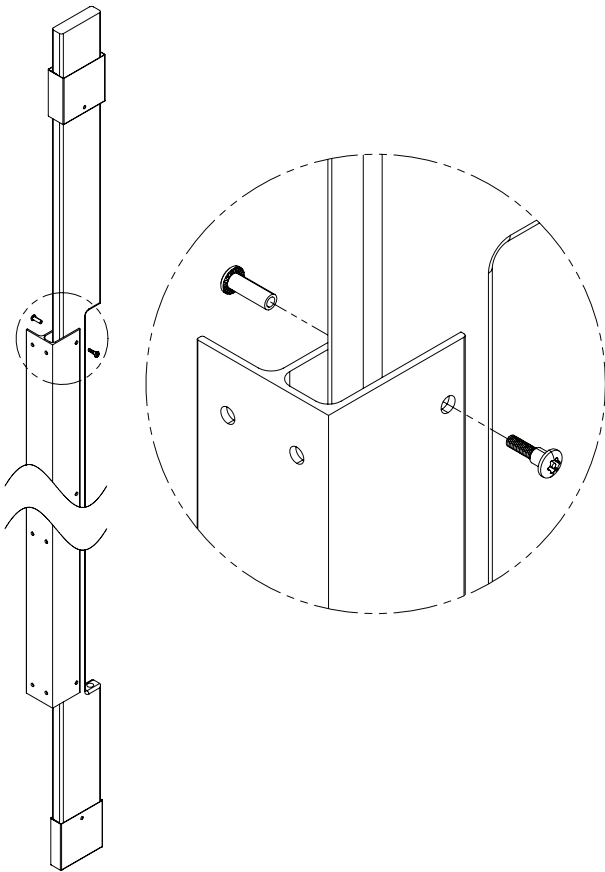
- Pilasters located at walls should be mounted first. Start at one end and install a panel, then a pilaster. Continue alternating until installation is complete. When installing in an alcove or in-corner, use an alcove bracket to secure the pilaster to the panel.
- Check to make sure the pilasters are plumb and level to each other. The pilaster height can be adjusted with the leveling screw that was placed at the bottom of the pilaster (see page 5 for attaching leveling screw).

Pilasters at Wall

- When installing pilaster at walls, the gaps range from 1/2" to 1-1/4" (13mm to 32mm). Refer to your submittal drawing for your gap sizes.

A Slide a shoe onto the top of the pilaster and use a piece of tape to keep the shoe positioned about 5" (127mm) from the end. Make sure the shoe mounting holes are towards the bottom.

B Place the pilaster within the shoe mounted to the floor while at the same time placing the pilaster within the wall bracket.



C Using the bracket as a template, drill Ø1/4" holes through the pilaster at each pilaster bracket hole. Secure the pilaster to the bracket using the #10-24 x 3/4" barrel nuts and #10-24 x 3/4" shoulder screws provided.

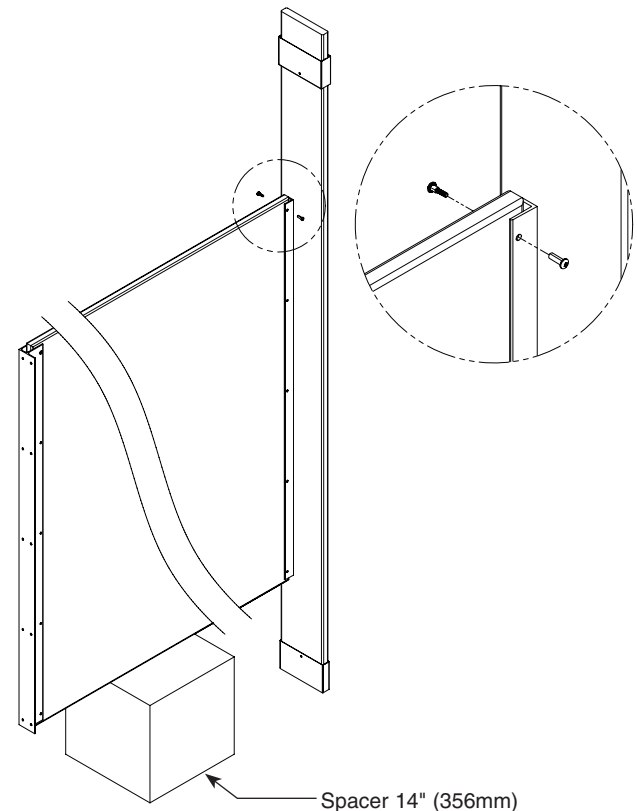
Pilasters with Panels

- An aluminum heatsink is secured to one end of the panel to indicate the bottom.
- Refer to your submittal drawing and leave the appropriate gaps. Standard gap is 1" (25mm) between the panel and wall and 1/2" (13mm) between the panel and pilaster.

A Orientate the panel so the heatsink is on the bottom. Place the panel on the spacer and insert the panel into the wall bracket.

B Slide a shoe onto the top of the pilaster and use a piece of tape to keep the shoe positioned about 5" (127mm) from the end. Make sure the shoe mounting holes are towards the bottom.

C Place the pilaster within the shoe mounted to the floor while at the same time placing the bracket around the panel.



D Using the bracket as a template, drill Ø1/4" holes through the panel at each panel bracket hole. Secure the panel to the bracket using the #10-24 x 3/4" barrel nuts and #10-24 x 3/4" shoulder screws provided.

6b Pilasters and Panels with Stirrup Brackets (Optional)

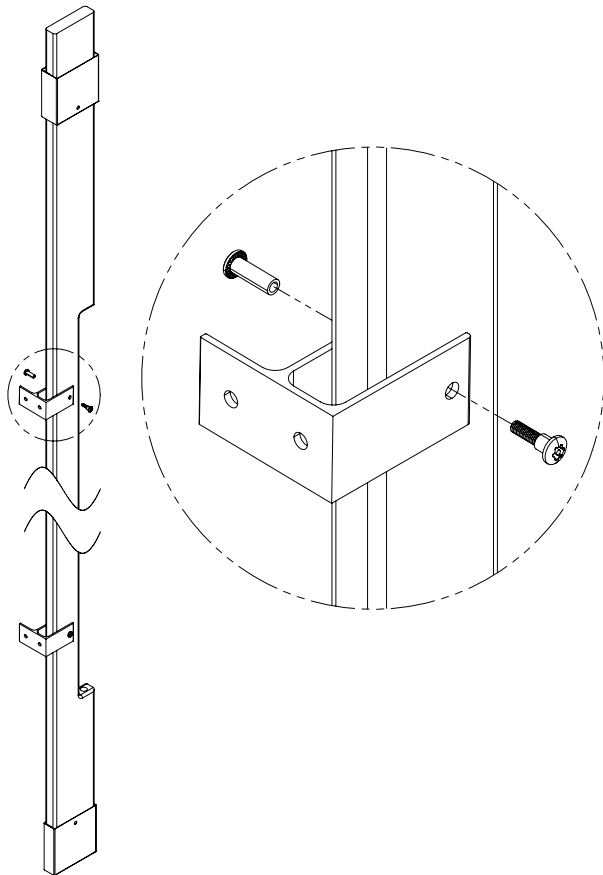
- Pilasters located at walls should be mounted first. Start at one end and install a panel, then a pilaster. Continue alternating until installation is complete. When installing in an alcove or in-corner, use an alcove bracket to secure the pilaster to the panel.
- Check to make sure the pilasters are plumb and level to each other. The pilaster height can be adjusted with the leveling screw that was placed at the bottom of the pilaster (see page 5 for attaching leveling screw).

Pilasters at Wall

- When installing pilaster at walls, the gaps range from 1/2" to 1-1/4" (13mm to 32mm). Refer to your submittal drawing for your gap sizes.

A Slide a shoe onto the top of the pilaster and use a piece of tape to keep the shoe positioned about 5" (127mm) from the end. Make sure the shoe mounting holes are towards the bottom.

B Place the pilaster within the shoe mounted to the floor while at the same time placing the pilaster within the wall brackets.



C Using the bracket as a template, drill Ø1/4" holes through the pilaster at each pilaster bracket hole. Secure the pilaster to the bracket using the #10-24 x 3/4" barrel nuts and #10-24 x 3/4" shoulder screws provided.

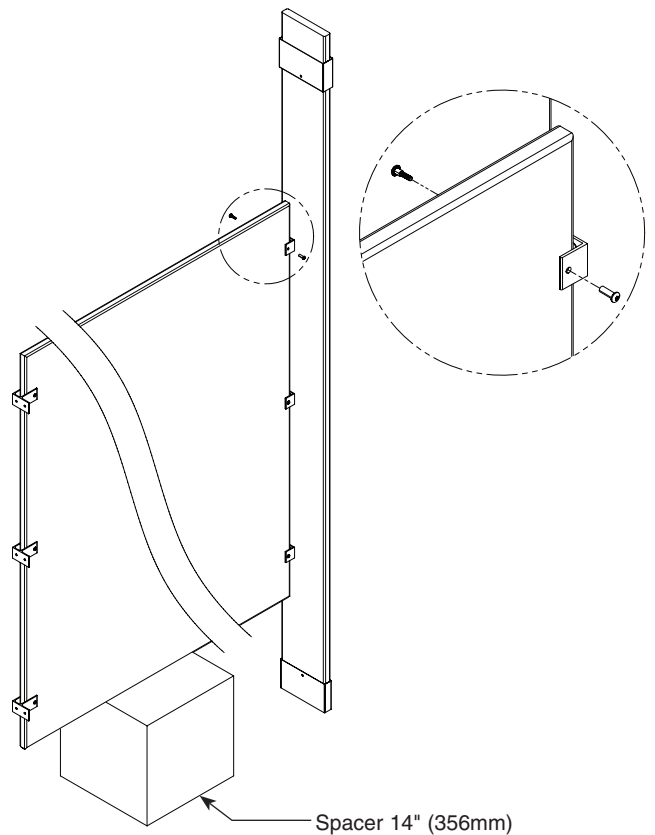
Pilasters with Panels

- An aluminum heatsink is secured to one end of the panel to indicate the bottom.
- Refer to your submittal drawing and leave the appropriate gaps. Standard gap is 1" (25mm) between the panel and wall and 1/2" (13mm) between the panel and pilaster.

A Orientate the panel so the heatsink is on the bottom. Place the panel on the spacer and insert the panel into the wall brackets.

B Slide a shoe onto the top of the pilaster and use a piece of tape to keep the shoe positioned about 5" (127mm) from the end. Make sure the shoe mounting holes are towards the bottom.

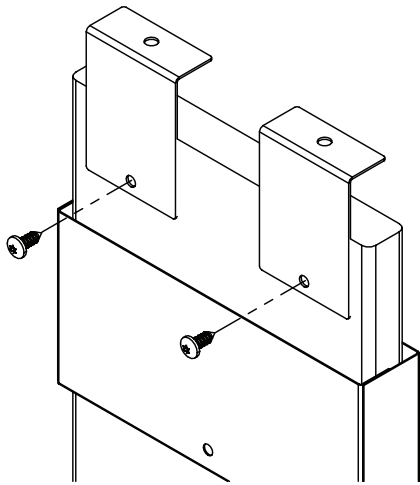
C Place the pilaster within the shoe mounted to the floor while at the same time placing the brackets around the panel.



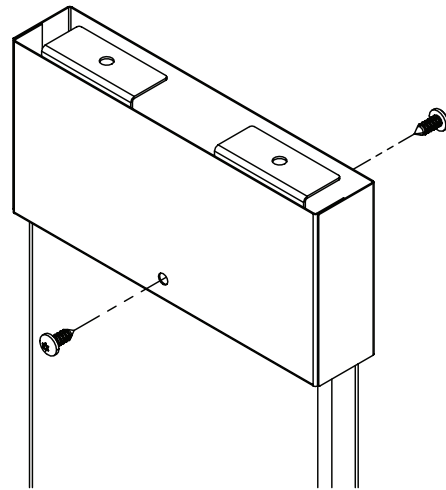
D Using the bracket as a template, drill Ø1/4" holes through the panel at each panel bracket hole. Secure the panel to the bracket using the #10-24 x 3/4" barrel nuts and #10-24 x 3/4" shoulder screws provided.

7 Pilaster Shoes

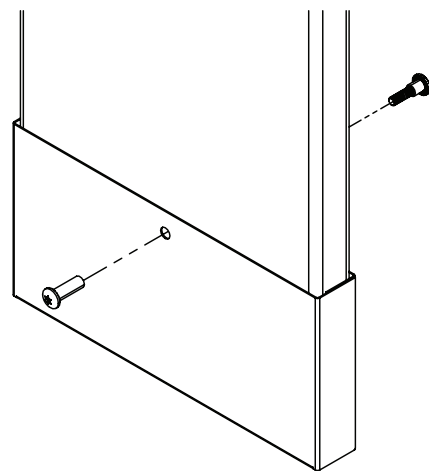
A Using the "L" bracket(s) as a template, drill a $\text{Ø}7/32$ " pilot hole into the pilaster, $3/4$ " (19mm) deep. Secure "L" bracket(s) to pilaster using the $1/4$ -14 x $5/8$ " screws provided.





B Position the top shoe so that it rests flush with the ceiling. Using the hole in the top shoe as a template, drill a $\text{Ø}7/32$ " hole through the pilaster. Secure the top shoe to the pilaster using the $1/4$ -14 x $5/8$ " screws provided.

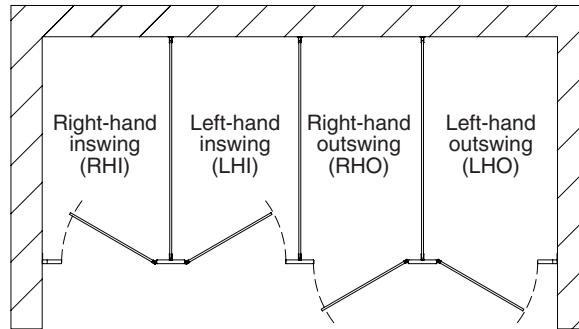




C Using the hole in the bottom shoe as a template, drill a $\text{Ø}1/4$ " hole through the pilaster. Secure the pilaster to the bottom shoe using the #10-24 x $3/4$ " barrel nut and #10-24 x $3/4$ " shoulder screw provided.



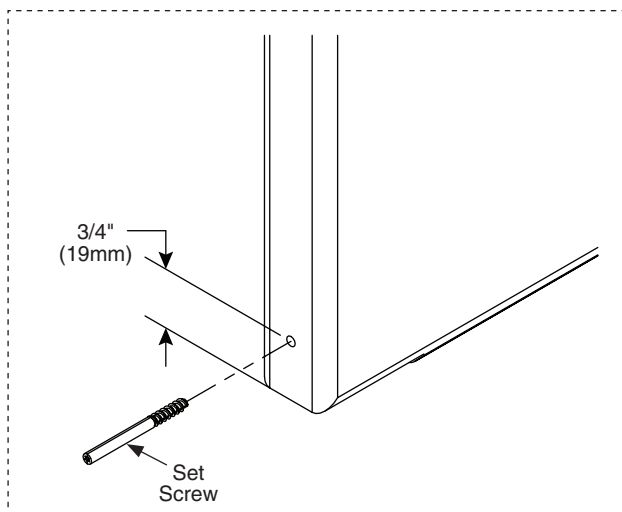
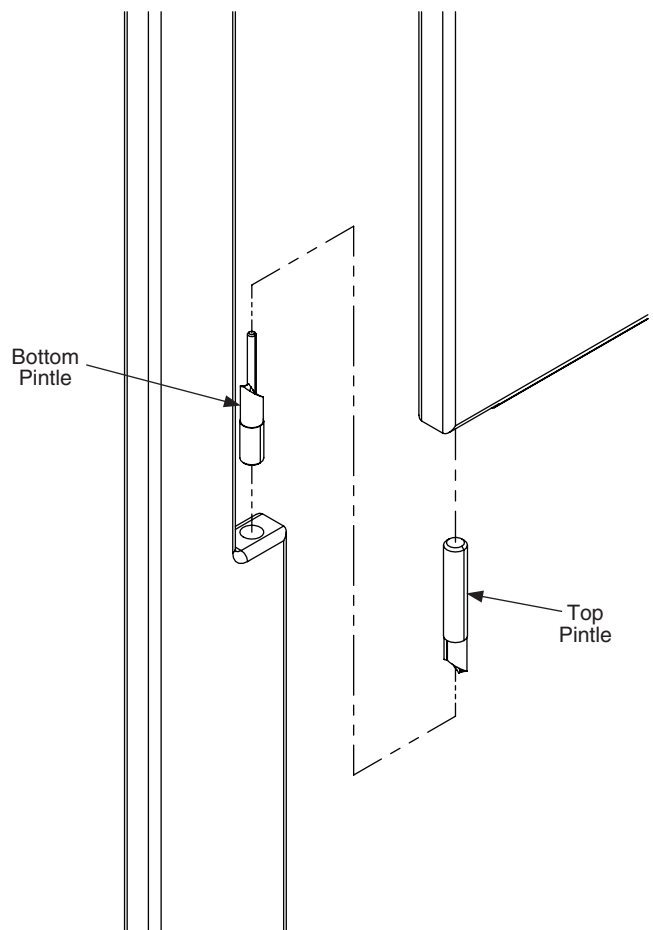
8 Integral Hinges (Standard)

-  Before installing the hinges, make sure the door openings are the appropriate size, all pilasters are plumb and secured to the shoe and ceiling mounting hardware.
-  Refer to your submittal drawings to determine each specific door swing for your application. The door swing is determined by facing the compartment from the outside. The image below can help determine the door swing type.



-  An aluminum heatsink is secured to one end of the door to indicate the bottom.
-  The top and bottom pintles are pre-lubricated for your convenience. Do not remove the lubricant.

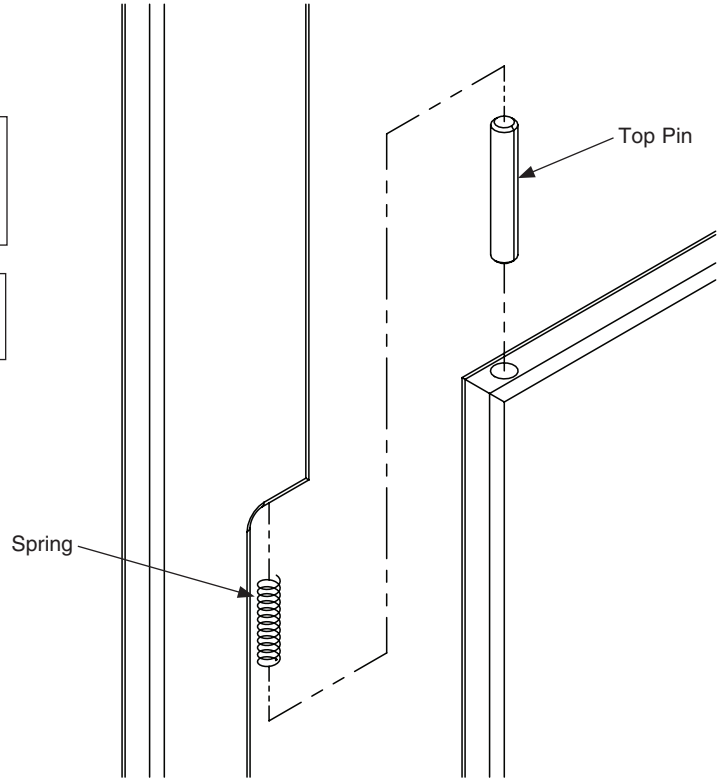
- A** Orientate the door so the heatsink is on the bottom. Place the top pintle into the pre-drilled hinge hole on the bottom of the door. Use the bottom pintle to push the top pintle into the door until it bottoms out.
- B** Measure approximately 3/4" (19mm) up from the bottom of the door and place a mark centered on the hinge side door edge.
- C** Drill a Ø1/8" pilot hole, at least 1-1/2" (38mm) deep (pilot hole should penetrate the top pintle within the door). Screw the set screw in flush with the door's surface.
- D** Insert the bottom pintle into the lower pre-drilled hinge hole on the pilaster. Place door onto the bottom pintle and rotate to engage the pintles.



8 Integral Hinges - (Continued)

E Place the spring and top pin into the upper pre-drilled hinge hole on the pilaster. Push pin into the hinge hole while at the same time moving the door into position. Release the top pin and guide it into the top pre-drilled hinge hole on the door.

F Rotate the door to the desired "at rest" position. Push down on the door while maintaining the desired "at rest" position. (This sets the pintles in the bottom hinge).

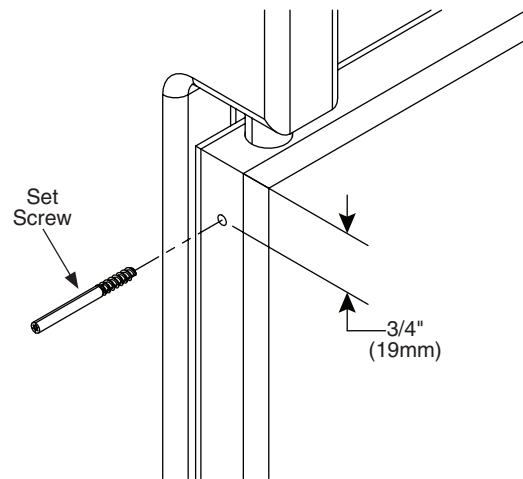
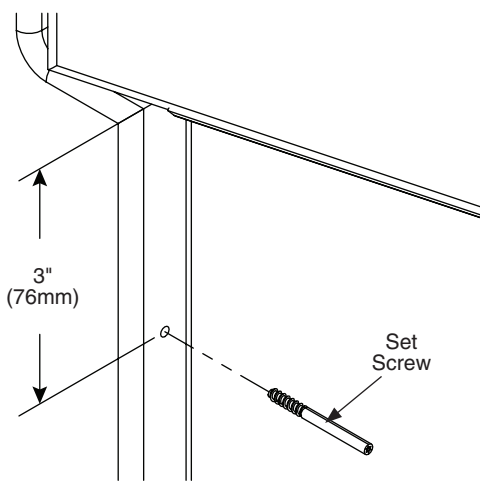


G With the door in the desired "at rest" position, measure approximately 3" (76mm) down from the pilaster cutout and place a mark centered on the pilaster edge.

I Measure approximately 3/4" (19mm) down from the top of the door and place a mark centered on the hinge side door edge.

H Drill a Ø1/8" pilot hole, at least 1-1/2" (38mm) deep (pilot hole should penetrate the bottom pintle within the pilaster). Screw the set screw in flush with the pilaster's surface.

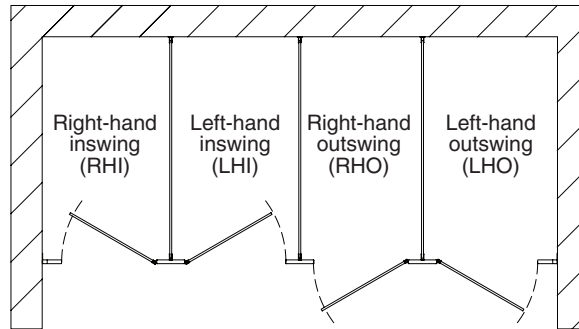
J Drill a Ø1/8" pilot hole, at least 1-1/2" (38mm) deep (pilot hole should penetrate the top pin within the door). Screw the set screw in flush with the door's surface.



If the door is installed and pinned correctly, the door will "rise" slightly on the pintles as the door is opened.

8a Integral Hinges - No-Site (Optional)

- Before installing the hinges, make sure the door openings are the appropriate size, all pilasters are plumb and secured to the shoe and ceiling mounting hardware.
- Refer to your submittal drawings to determine each specific door swing for your application. The door swing is determined by facing the compartment from the outside. The image below can help determine the door swing type.



- The door "lip" will be on the inside of a stall for inswing doors and on the outside for outswing doors.
- Prior to installation, no-site doors are interchangeable between inswing and outswing applications. An aluminum heatsink is provided loose and is required to be attached to the bottom of the door once door swing is determined.

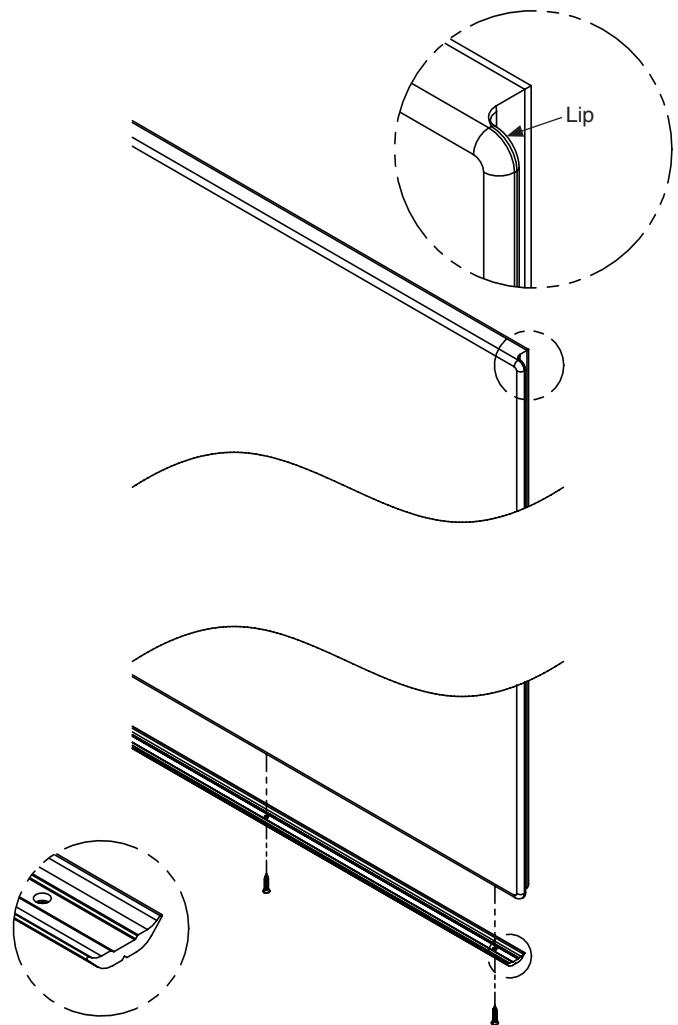
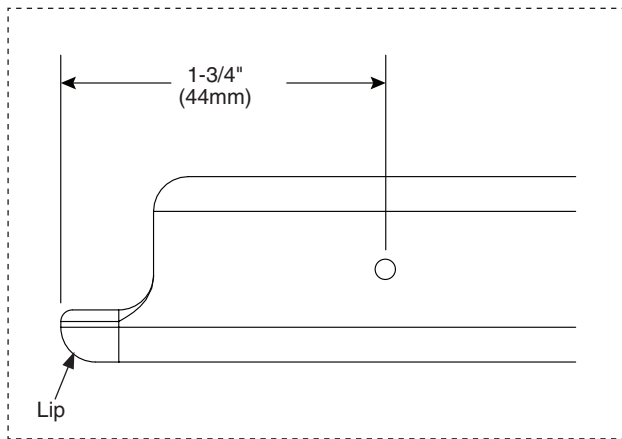
A Orientate the door so the door "lip" is in the required position for your application.

B Locate the bottom of the door. Measure 1-3/4" (44mm) from the edge of the lip and place a mark centered on the bottom door edge (see detail below).

C Drill a Ø7/64" pilot hole, 3/4" (19mm) deep. Orientate and secure the first hole of the heatsink to the door using a #6 x 3/4" flat head screw provided.

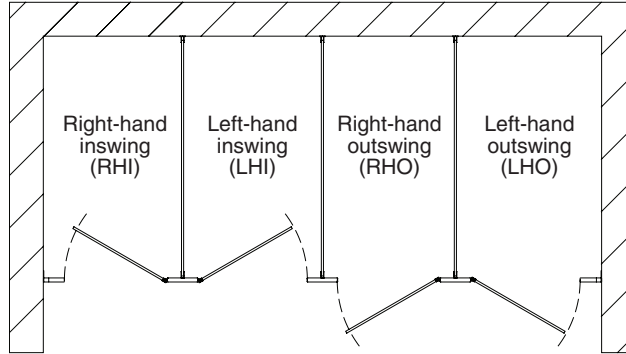
D Center heatsink across door edge and using as a template, drill pilot holes for all remaining heatsink holes. Fully secure heatsink to door using the #6 x 3/4" flat head screws provided.

E Attach door to pilaster following Step 8, letters A thru J.



8b Continuous Spring-Loaded Piano Hinge - Stainless Steel (Optional)

- Before installing the hinges, make sure the door openings are the appropriate size, all pilasters are plumb and secured to the shoe and ceiling mounting hardware.
- Refer to your submittal drawings to determine each specific door swing for your application. The door swing is determined by facing the compartment from the outside. The image below can help determine the door swing type.



<p>Continuous Piano Hinge</p> <p>The part numbers listed are prefixes only and are used to identify the appropriate door kit based on your door swing as determined above. Inswinging doors should have hinges mounted on the inside of the stall while outswinging doors should have hinges mounted on the outside of the stall.</p>	<p>Part # Prefix HDWP-S0209 (left hand in, right hand out, knuckles facing front)</p>	<p>Part # Prefix HDWP-S0208 (right hand in, left hand out, knuckles facing front)</p>
--	---	---

- An aluminum heatsink is secured to one end of the door to indicate the bottom.

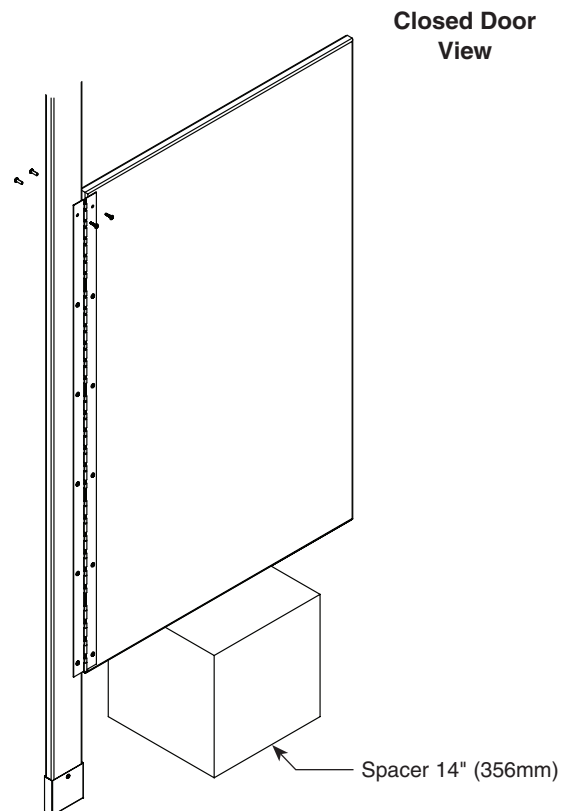
A Orientate the door so the heatsink is on the bottom. Place on a 14" (356mm) spacer and set the door gaps. Standard hinge side gap is 3/16" (5mm).

B Position the hinge so it is plumb and centered within the 3/16" (5mm) gap and centered top to bottom (approximately 1/2" (13mm) down from the top of the door).

C Using the hinge as a template, drill Ø1/4" holes through the door at the top and bottom holes. Secure the hinge to the door using the #10-24 x 3/4" barrel nuts and #10-24 x 3/4" shoulder screws provided.

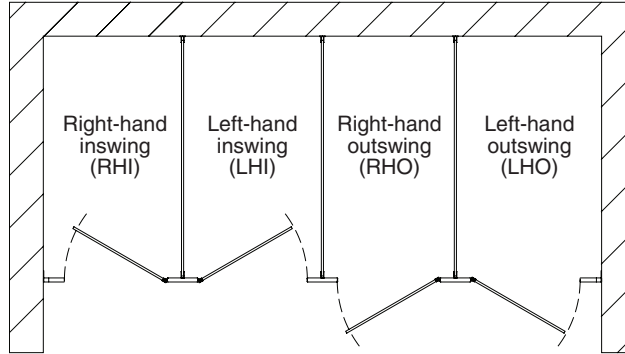
D Check to make sure the hinge side gap is still at 3/16" (5mm). Using the hinge as a template, drill Ø1/4" holes through the pilaster at the top and bottom holes. Secure the hinge to the pilaster using the #10-24 x 3/4" barrel nuts and #10-24 x 3/4" shoulder screws provided.

E Drill Ø1/4" holes through the remaining hinge holes on the door and pilaster. Secure with the fasteners provided.



8c Continuous Spring-Loaded Piano Hinge - Aluminum (Optional)

- Before installing the hinges, make sure the door openings are the appropriate size, all pilasters are plumb and secured to the shoe and ceiling mounting hardware.
- Refer to your submittal drawings to determine each specific door swing for your application. The door swing is determined by facing the compartment from the outside. The image below can help determine the door swing type.



Continuous Piano Hinge	Hinge	Faceplate	Roll Pin
<p>Consist of (3) parts: Hinge, Faceplate, and Roll Pin.</p> <p>Inswinging doors should have hinges mounted on the inside of the stall while outswinging doors should have hinges mounted on the outside of the stall.</p>			

- An aluminum heatsink is secured to one end of the door to indicate the bottom.

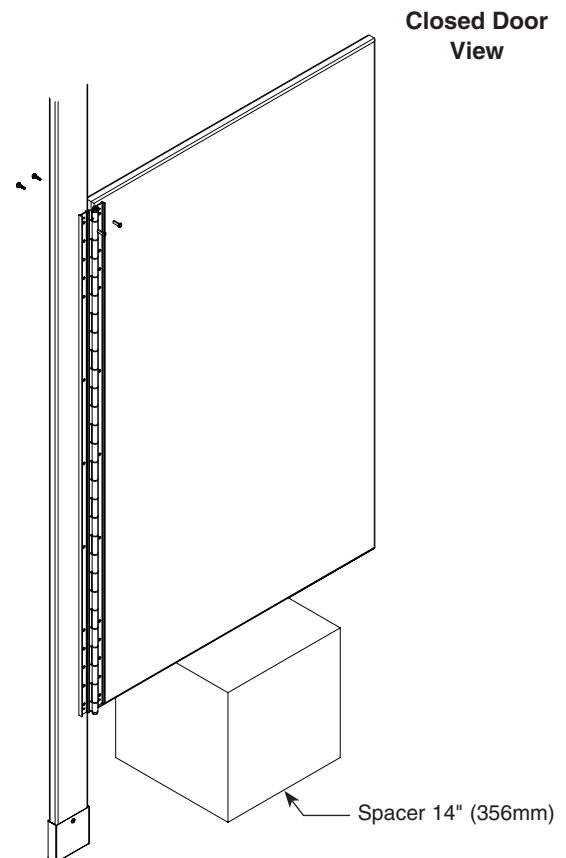
A Orientate the door so the heatsink is on the bottom. Place on a 14" (356mm) spacer and set the door gaps. Standard hinge side gap is 3/16" (5mm).

B Remove the snap-on faceplates and position the hinge so it is plumb and centered within the 3/16" (5mm) gap and centered top to bottom (approximately 1/2" (13mm) down from the top of the door).

C Using the hinge as a template, drill Ø1/4" holes through the door at the top and bottom holes. Secure the hinge to the door using the #10-24 x 3/4" barrel nuts and #10-24 x 3/4" shoulder screws provided.

D Check to make sure the hinge side gap is still at 3/16" (5mm). Using the hinge as a template, drill Ø1/4" holes through the pilaster at the top and bottom holes. Secure the hinge to the pilaster using the #10-24 x 3/4" barrel nuts and #10-24 x 3/4" shoulder screws provided.

E Drill Ø1/4" holes through the remaining hinge holes on the door and pilaster. Secure with the fasteners provided.



8c Continuous Spring-Loaded Piano Hinge - Aluminum (Continued)

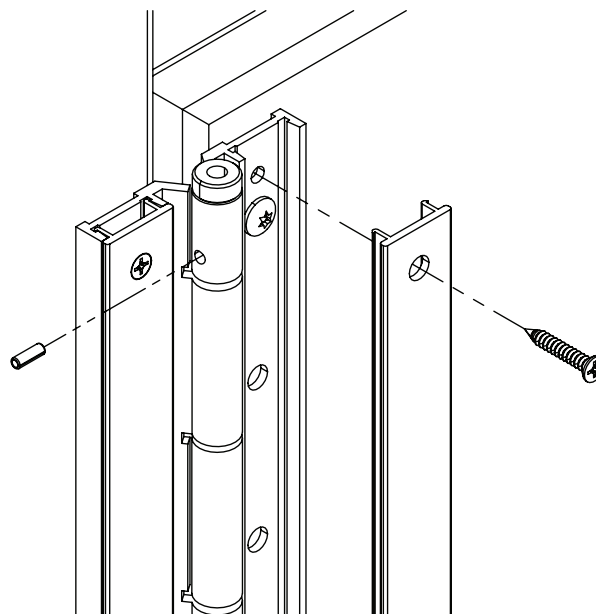
F Place and hold the snap-on faceplate squarely on one half of the hinge. Using a hammer and a soft wood block to protect the finish, firmly tap the faceplate. Start at the top and work downward until the entire length of the faceplate is firmly engaged. Repeat for the additional faceplate.

G Using the faceplates as a template, drill $\text{Ø}3/32$ " pilot holes, $3/4$ " (19mm) deep at each hole location. Secure faceplates to the hinge using the #8 x 1" flat head screws provided.

H To adjust the hinge spring tension, use a T-27 torx bit and turn the torx head clockwise approximately one complete revolution. Insert a 1-1/2" (38mm) long nail into the hole through the hinge pin (the hinge pin has a hole in two directions, allowing for adjustments every 1/4 turn).

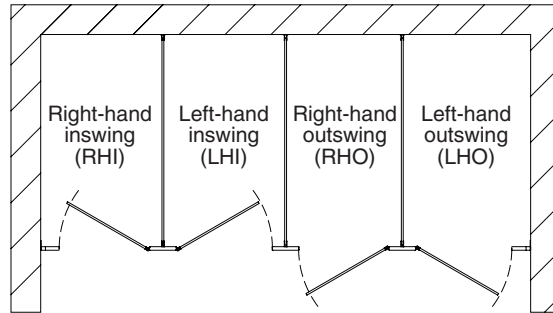
I Check the swing of the door. If the desired closure speed is achieved, continue to Step J; otherwise, remove the nail and turn the torx head another 1/4 turn. Replace nail and check again. Continue this process until desired closure speed is achieved.

J When desired closure speed is achieved, hold the torx head in place while at the same time removing the nail and inserting the roll pin. Tap the roll pin into place with a nail set until $1/8$ " (3mm) remains out from the hinge.

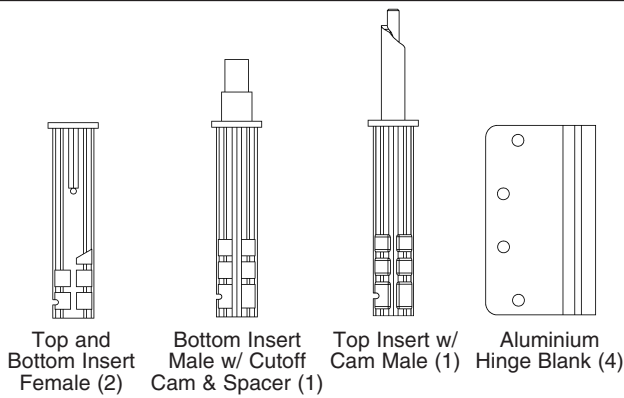


8d Aluminum Wraparound Hinge (Optional)

- Before installing the hinges, make sure the door openings are the appropriate size, all pilasters are plumb and secured to the shoe and ceiling mounting hardware.
- Refer to your submittal drawings to determine each specific door swing for your application. The door swing is determined by facing the compartment from the outside. The image below can help determine the door swing type.

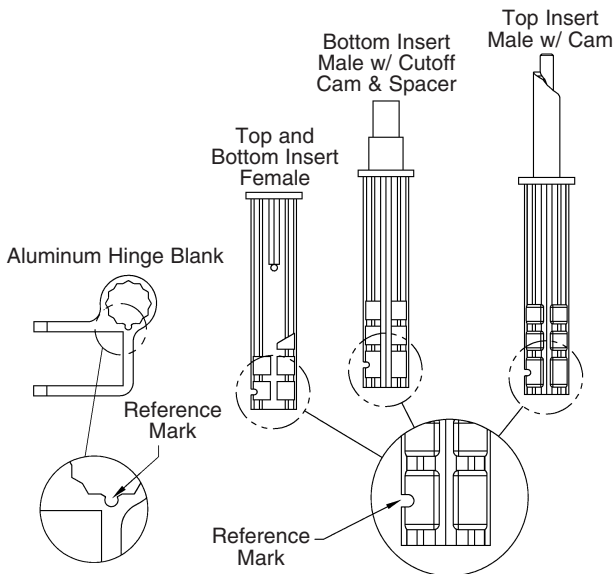


A Separate the hinge components and ensure all parts are included as shown



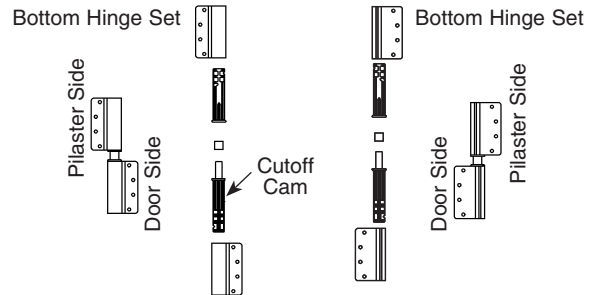
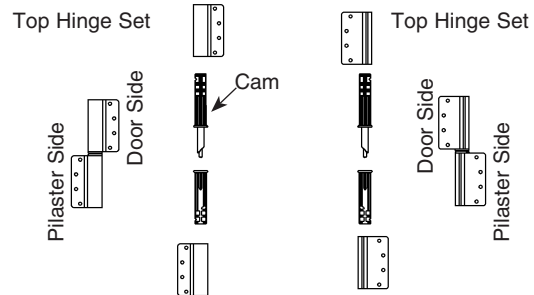
C Align the reference marks of the inserts and hinge blanks as shown.

- Hinge blanks and inserts have reference marks that are used in setting the hinge position. The top hinge contains the cam and the bottom hinge has the cutoff cam with spacer.

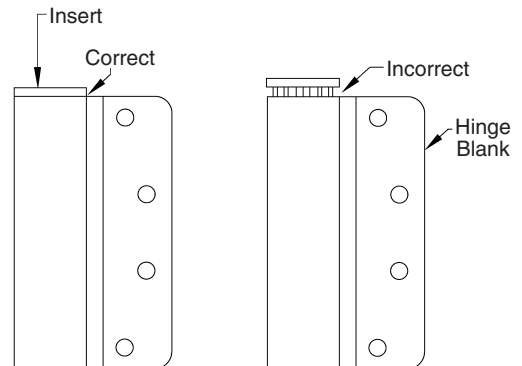


B Find the hinge assembly that coincides with the door swing. Arrange the hinge sets as shown.

Left In and Right Out Assembly Right In and Left Out Assembly



D Assemble inserts into the hinge blanks making sure the insert collar fits tightly against each of the hinge blanks.



8d Aluminum Wraparound Hinge (Continued)

E Determine and set the "at rest" position of the door by adjusting the position of the top male insert within the hinge blank (see detail below).

F Orientate the door so the heatsink is on the bottom. Position the upper hinge blank of the top hinge set so that it is 2" (51mm) from the top of the door. Using the hinge as a template, drill a $\text{Ø}3/32$ " pilot hole, 1" (25mm) deep into the door edge. Secure the hinge to the door using the #8 x 1" screw provided.

Repeat for the lower hinge blank of the bottom hinge set, except the hinge should be positioned 2" (51mm) from the bottom of the door.

G Using both hinges as a template, drill $\text{Ø}1/4$ " holes through the door for all hinge holes. Secure the hinge to the door using the #10-24 x 3/4" barrel nuts and #10-24 x 3/4" shoulder screws provided.

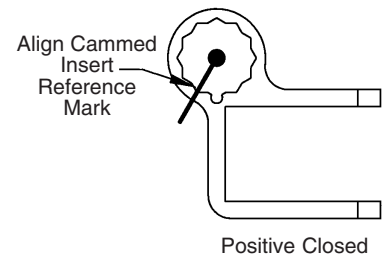
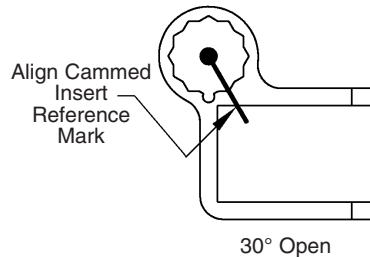
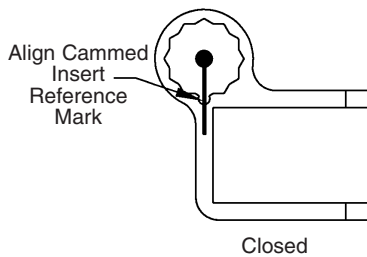
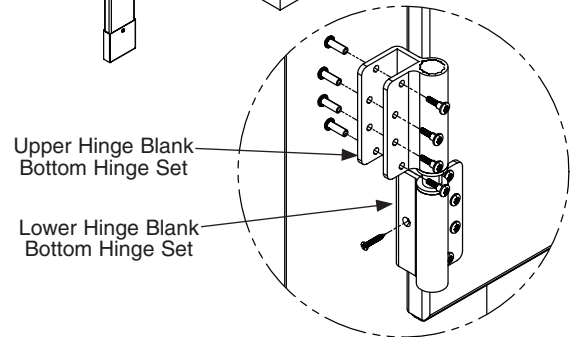
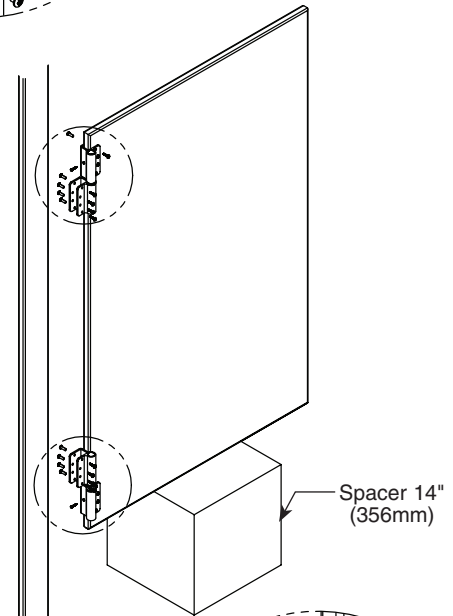
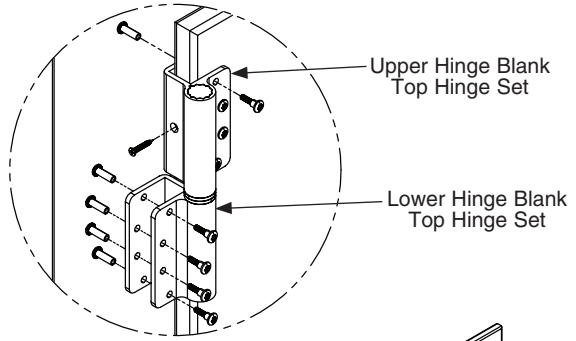
H Place the included cardboard spacer on the male insert of the bottom hinge set. Assemble and position on the door the missing halves of both hinge sets. Use a piece of tape to hold the hinge sets together.

Make sure both hinge sets are fully engaged with each other. The cardboard spacer will set the needed knuckle gap for the cam to function properly.


I Place door on a 14" (356mm) spacer and slide into position. Make sure both hinge blanks slip around the pilaster and are tight against the pilaster edge.

J Using both hinges as a template, drill $\text{Ø}1/4$ " holes through the pilaster for all hinge holes. Secure the hinge to the pilaster using the #10-24 x 3/4" barrel nuts and #10-24 x 3/4" shoulder screws provided.

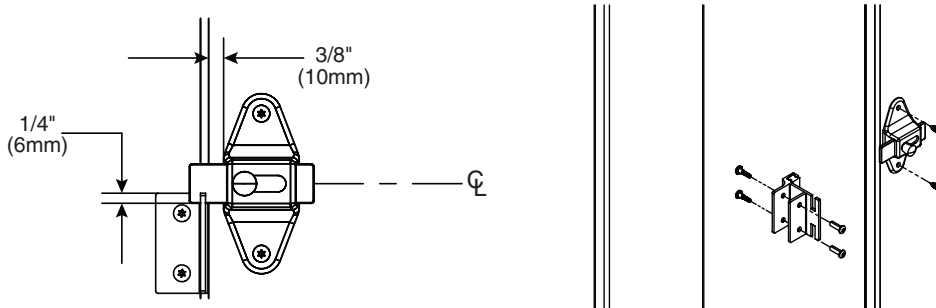
K Remove tape and cardboard spacer from the hinge sets.



9 Door Hardware for Inswing Doors - Stainless

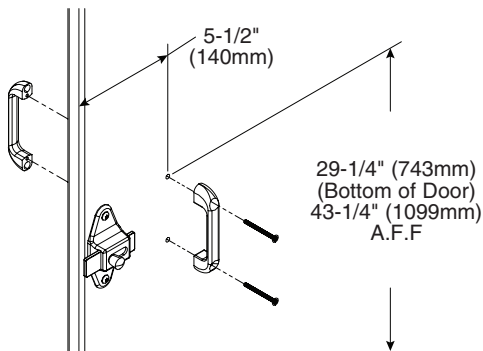
 Local codes vary from state to state. Check your local codes before installing the coat hook and door pulls.

A Position latch centered top to bottom and with the leading edge 3/8" (10mm) from the door edge. Using the latch as a template, mark the hole locations and drill Ø7/32" pilot holes, 3/4" (19mm) deep. Secure latch to door with the #14 x 3/4" screws provided.

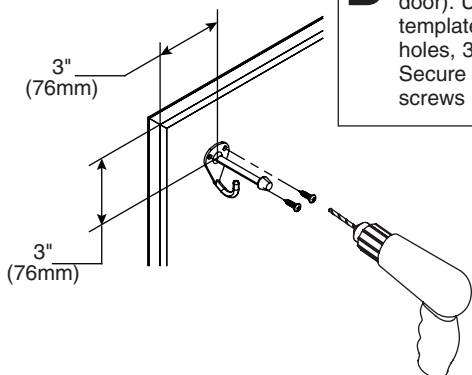


B With the door in the closed position, place the strike/keeper on the pilaster and align the top so it is 1/4" (6mm) above the bottom of the latch slide bar. Using the strike/keeper as a template, mark the hole locations and drill Ø1/4" holes through the pilaster. Secure the strike/keeper to the pilaster with the #10-24 x 3/4" barrel nuts and #10-24 x 3/4" shoulder screws provided.

C For 32" - 36" doors, mark the location for the top hole on the inside face of the door 29-1/4" (743mm) up from the bottom of 55" tall doors (43-1/4" [1099mm] above finished floor) and 5-1/2" (140mm) from the door edge. Drill (2) Ø1/4" holes (spaced 3-1/2" [89mm] apart) through the door and secure the door pulls to the door as shown with the #10-24 x 2" flat machine screws provided.

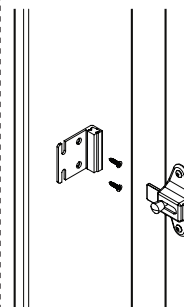


D Place the coat hook 3" (76mm) down from the top and 3" (76mm) from the latch side of the door (hook goes on the inside face of the door). Using the hook as a template, drill (2) Ø5/32" pilot holes, 3/4" (19mm) deep. Secure with the #10 x 3/4" screws provided.



Flat Strike/Keeper

E With the door in the closed position, place flat strike/keeper so the latch slide bar fits within the top notch.

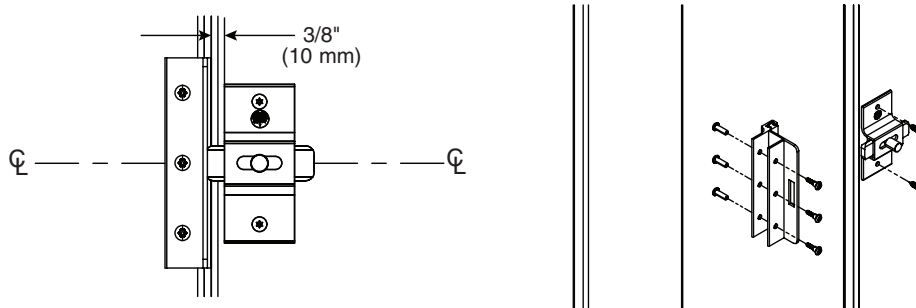


F Using the flat strike/keeper as a template, drill (2) Ø5/32" pilot holes, 3/4" (19mm) deep. Secure the flat strike/keeper to the pilaster using the #10 x 3/4" flat head screws provided.

9a Door Hardware for Inswing Doors - Aluminum

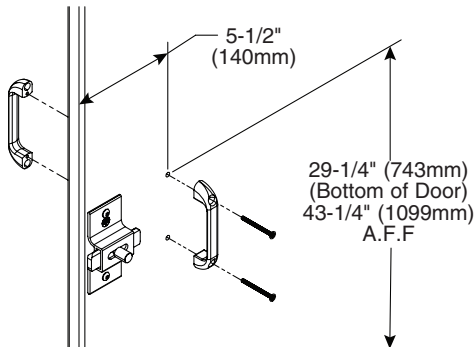
Local codes vary from state to state. Check your local codes before installing the coat hook and door pulls.

A Position latch centered top to bottom and with the leading edge 3/8" (10mm) from the door edge. Using the latch as a template, mark the hole locations and drill Ø7/32" pilot holes, 3/4" (19mm) deep. Secure latch to door with the #14 x 3/4" screws provided.

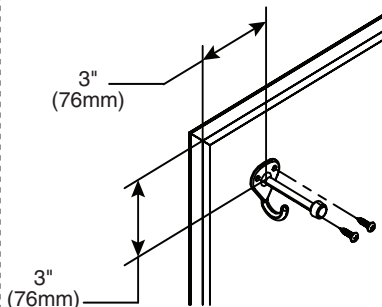


B With the door in the closed position, place the strike/keeper on the pilaster and align the slot so it is centered around the latch slide bar. Using the strike/keeper as a template, mark the hole locations and drill Ø1/4" holes through the pilaster. Secure the strike/keeper to the pilaster with the #10-24 x 3/4" barrel nuts and #10-24 x 3/4" shoulder screws provided.

C For 32" - 36" doors, mark the location for the top hole on the inside face of the door 29-1/4" (743mm) up from the bottom of 55" tall doors (43-1/4" [1099mm] above finished floor) and 5-1/2" (140mm) from the door edge. Drill (2) Ø1/4" holes (spaced 3-1/2" [89mm] apart) through the door and secure the door pulls to the door as shown with the #10-24 x 2" flat machine screws provided.



D Place coat hook 3" (76mm) down from the top and 3" (76mm) from the latch side of the door (hook goes on the inside face of the door). Using the hook as a template, drill (2) Ø5/32" pilot holes, 3/4" (19mm) deep. Secure with the #10 x 3/4" screws provided.

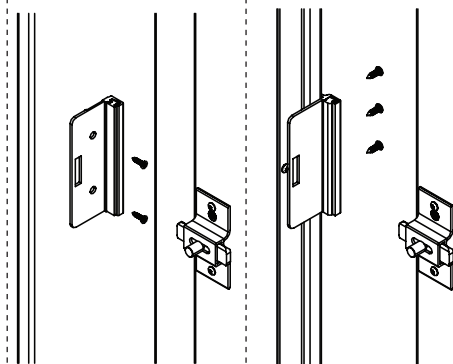


E With the door in the closed position, place flat strike/keeper on the pilaster and align the slot so it is centered around the latch slide bar.


F **Flat Strike/Keeper:** Using the flat strike/keeper as a template, drill (2) Ø5/32" pilot holes, 3/4" (19mm) deep. Secure the flat strike/keeper to the pilaster using the #10 x 3/4" flat head screws provided.

1-Ear Strike/Keeper: Using the 1-ear strike/keeper as a template, drill (3) Ø7/32" pilot holes, 3/4" (19mm) deep. Secure the 1-ear strike/keeper to the pilaster using the #14 x 3/4" screws provided.

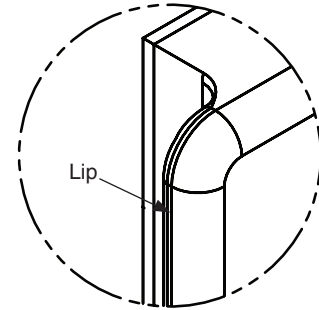
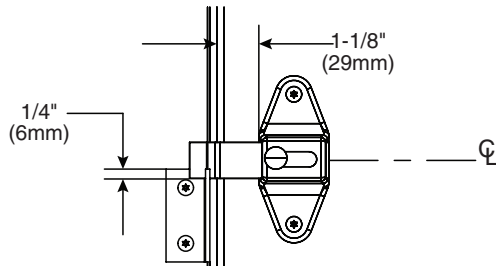
Flat Strike/Keeper 1-Ear Strike/Keeper



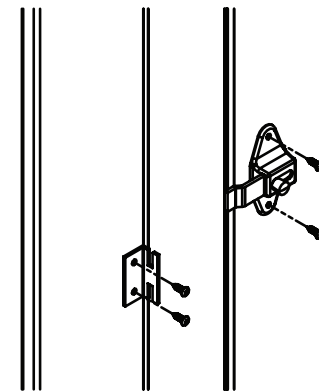
9b Door Hardware for No-Site Inswing Doors - Stainless

 Local codes vary from state to state. Check your local codes before installing the coat hook and door pulls.

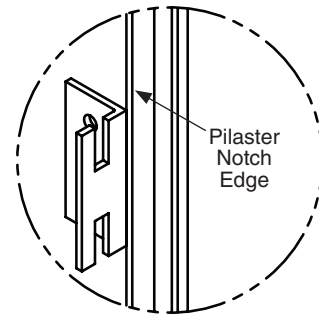
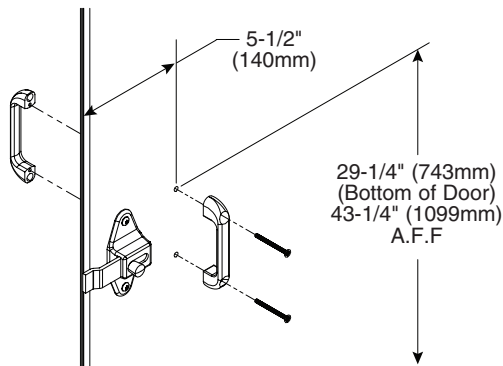
A Position latch centered top to bottom and with the leading edge 1-1/8" (29mm) from the "lip" of the door edge. Using the latch as a template, mark the hole locations and drill Ø7/32" pilot holes, 3/4" (19mm) deep. Secure latch to door with the #14 x 3/4" screws provided.



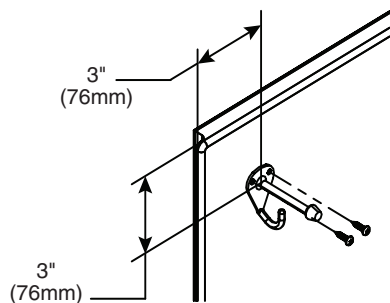
B With the door in the closed position, place the strike/keeper on the pilaster so the top edge is 1/4" (6mm) above the bottom of the latch slide bar and the leading edge is lined up with the edge of the pilaster notch (approximately 5/8" [16mm] from the side of the pilaster). Using the strike/keeper as a template, mark the hole locations and drill Ø7/32" pilot holes, 3/4" (19mm) deep. Secure the strike/keeper to the pilaster with the #14 x 3/4" screws provided.



C For 32" - 36" doors, mark the location for the top hole on the inside face of the door 29-1/4" (743mm) up from the bottom of 55" tall doors (43-1/4" [1099mm] above finished floor) and 5-1/2" (140mm) from the "lip" of the door edge. Drill (2) Ø1/4" holes (spaced 3-1/2" [89mm] apart) through the door and secure the door pulls to the door as shown with the #10-24 x 2" flat machine screws provided.



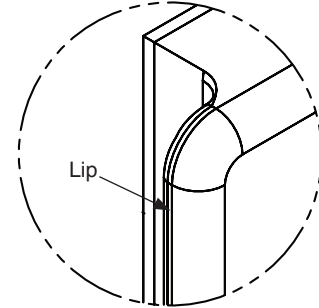
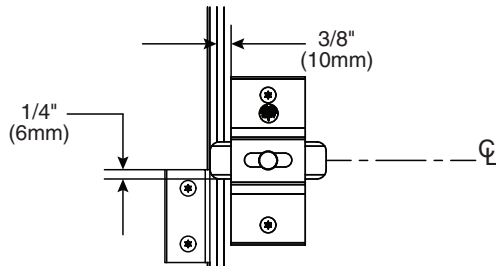
D Place the coat hook 3" (76mm) down from the top and 3" (76mm) from the "lip" of the door edge (hook goes on the inside face of the door). Using the hook as a template, drill (2) Ø5/32" pilot holes, 3/4" (19mm) deep. Secure with the #10 x 3/4" screws provided.



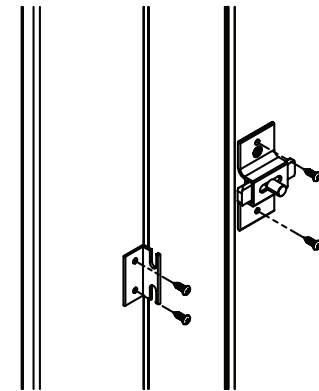
9c Door Hardware for No-Site Inswing Doors - Aluminum

Local codes vary from state to state. Check your local codes before installing the coat hook and door pulls.

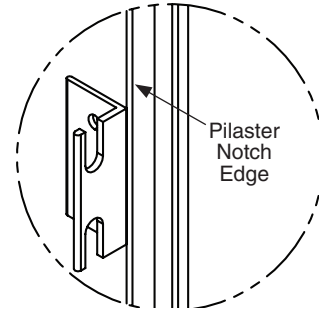
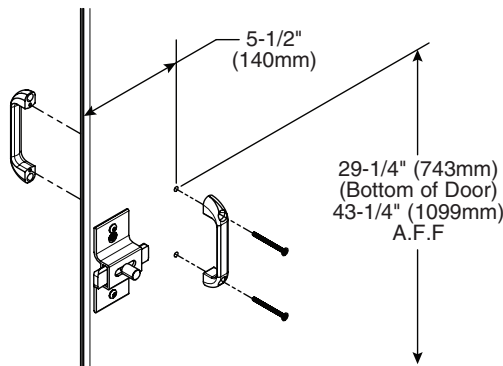
A Position latch centered top to bottom and with the leading edge 3/8" (10mm) from the "lip" of the door edge. Using the latch as a template, mark the hole locations and drill Ø7/32" pilot holes, 3/4" (19mm) deep. Secure latch to door with the #14 x 3/4" screws provided.



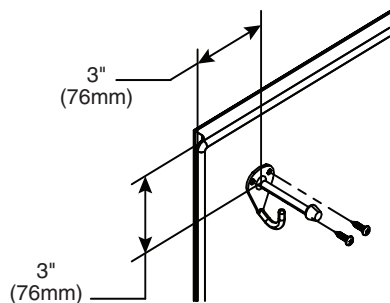
B With the door in the closed position, place the strike/keeper on the pilaster so the top edge is 1/4" (6mm) above the bottom of the latch slide bar and the leading edge is lined up with the edge of the pilaster notch (approximately 5/8" [16mm] from the side of the pilaster). Using the strike/keeper as a template, mark the hole locations and drill Ø7/32" pilot holes, 3/4" (19mm) deep. Secure the strike/keeper to the pilaster with the #14 x 3/4" screws provided.




C For 32" - 36" doors, mark the location for the top hole on the inside face of the door 29-1/4" (743mm) up from the bottom of 55" tall doors (43-1/4" [1099mm] above finished floor) and 5-1/2" (140mm) from the "lip" of the door edge. Drill (2) Ø1/4" holes (spaced 3-1/2" [89mm] apart) through the door and secure the door pulls to the door as shown with the #10-24 x 2" flat machine screws provided.



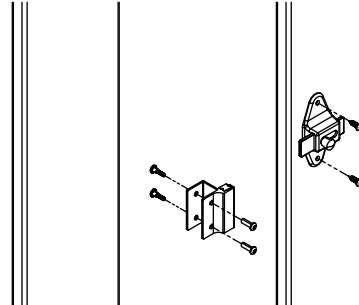
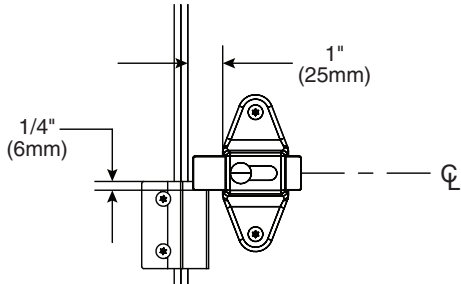
D Place the coat hook 3" (76mm) down from the top and 3" (76mm) from the "lip" of the door edge (hook goes on the inside face of the door). Using the hook as a template, drill (2) Ø5/32" pilot holes, 3/4" (19mm) deep. Secure with the #10 x 3/4" screws provided.



9d Door Hardware for Outswing Doors - Stainless

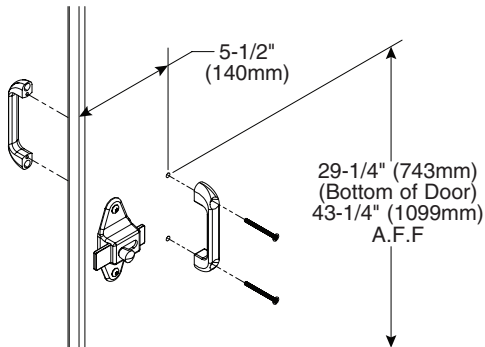
 Local codes vary from state to state. Check your local codes before installing the coat hook and door pulls.

A Position latch centered top to bottom and with the leading edge 1" (25mm) from the door edge. Using the latch as a template, mark the hole locations and drill Ø7/32" pilot holes, 3/4" (19mm) deep. Secure latch to door with the #14 x 3/4" screws provided.

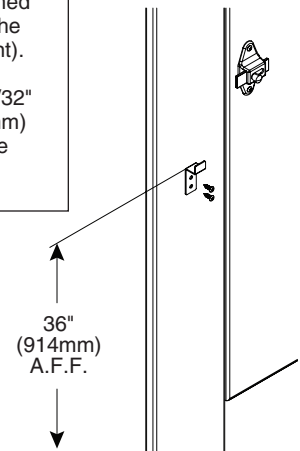


B With the door in the closed position, place the strike/keeper on the pilaster and align the top so it is 1/4" (6mm) above the bottom of the latch slide bar. Using the strike/keeper as a template, mark the hole locations and drill Ø1/4" holes through the pilaster. Secure the strike/keeper to the pilaster with the #10-24 x 3/4" barrel nuts and #10-24 x 3/4" shoulder screws provided.

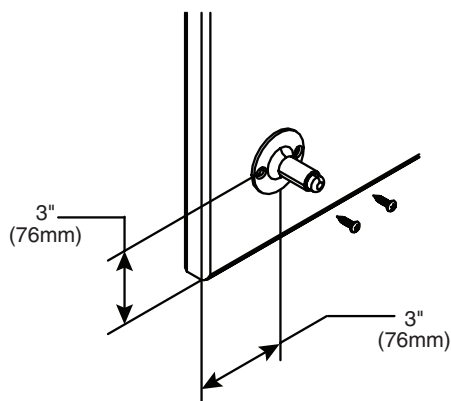
C Mark the location for the top hole on the inside face of the door 29-1/4" (743mm) up from the bottom of 55" tall doors (43-1/4" [1099mm] above finished floor) and 5-1/2" (140mm) from the door edge. Drill (2) Ø1/4" holes (spaced 3-1/2" [89mm] apart) through the door and secure the door pulls to the door as shown with the #10-24 x 2" flat machine screws provided.



D Position the coat hook 36" (914mm) above finished floor (hook goes on the inside of compartment). Using the hook as a template, drill (2) Ø7/32" pilot holes, 3/4" (19mm) deep. Secure with the #14 x 3/4" screws provided.

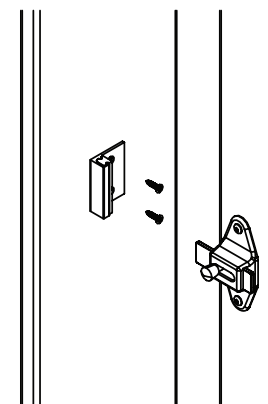


E Place wall bumper 3" (76mm) up from the bottom and 3" (76mm) from the latch side of the door (bumper goes on the outside face of the door). Using the bumper as a template, drill (2) Ø5/32" pilot holes, 3/4" (19mm) deep. Secure with the #10 x 3/4" screws provided.




Flat Strike/Keeper

F With the door in the closed position, place the flat strike/keeper on the pilaster and align the top so it is 1/4" (6mm) above the bottom of the latch slide bar.

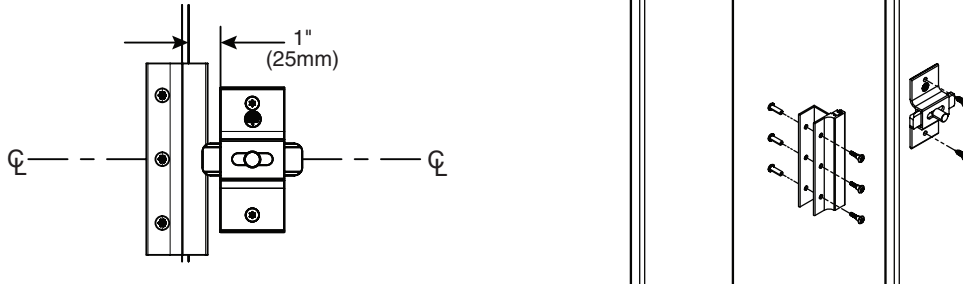


G Using the flat strike/keeper as a template, drill (2) Ø5/32" pilot holes, 3/4" (19mm) deep. Secure the flat strike/keeper to the pilaster using the #10 x 3/4" flat head screws provided.

9e Door Hardware for Outswing Doors - Aluminum

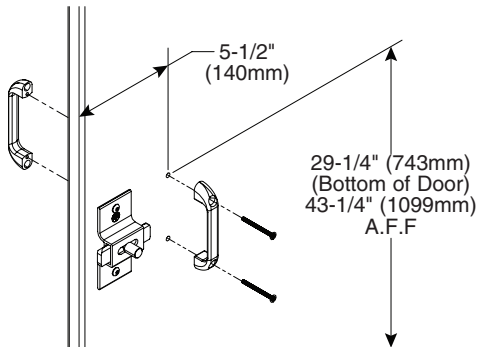
 Local codes vary from state to state. Check your local codes before installing the coat hook and door pulls.

A Position latch centered top to bottom and with the leading edge 1" (25mm) from the door edge. Using the latch as a template, mark the hole locations and drill Ø7/32" pilot holes, 3/4" (19mm) deep. Secure latch to door with the #14 x 3/4" screws provided.

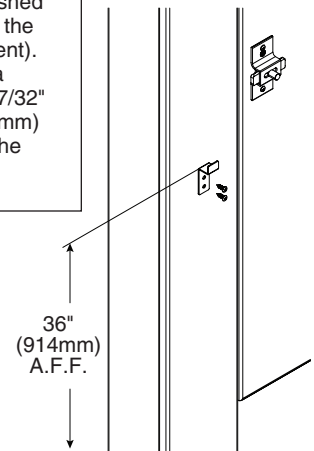


B With the door in the closed position, place the strike/keeper on the pilaster so it is centered on the latch slide bar. Using the strike/keeper as a template, mark the hole locations and drill Ø1/4" holes through the pilaster. Secure the strike/keeper to the pilaster with the #10-24 x 3/4" barrel nuts and #10-24 x 3/4" shoulder screws provided.

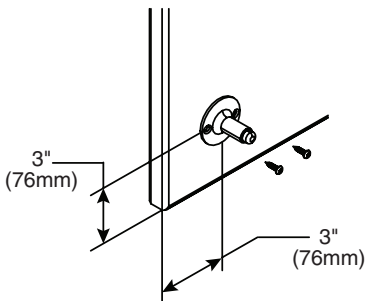
C Mark the location for the top hole on the inside face of the door 29-1/4" (743mm) up from the bottom of 55" tall doors (43-1/4" [1099mm] above finished floor) and 5-1/2" (140mm) from the door edge. Drill (2) Ø1/4" holes (spaced 3-1/2" [89mm] apart) through the door and secure the door pulls to the door as shown with the #10-24 x 2" flat machine screws provided.



D Position the coat hook 36" (914mm) above finished floor (hook goes on the inside of compartment). Using the hook as a template, drill (2) Ø7/32" pilot holes, 3/4" (19mm) deep. Secure with the #14 x 3/4" screws provided.



E Place wall bumper 3" (76mm) up from the bottom and 3" (76mm) from the latch side of the door (bumper goes on the outside face of the door). Using the bumper as a template, drill (2) Ø5/32" pilot holes, 3/4" (19mm) deep. Secure with the #10 x 3/4" screws provided.

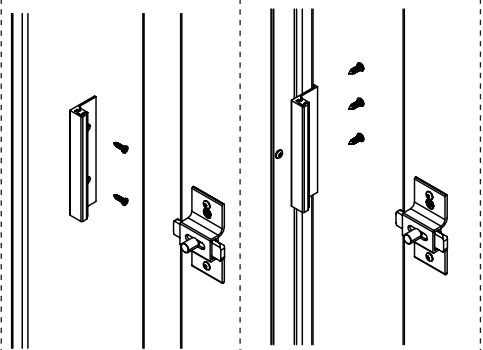


F With the door in the closed position, place flat strike/keeper so it is centered on the latch slide bar.


G **Flat Strike/Keeper:** Using the flat strike/keeper as a template, drill (2) Ø5/32" pilot holes, 3/4" (19mm) deep. Secure the flat strike/keeper to the pilaster using the #10 x 3/4" flat head screws provided.

1-Ear Strike/Keeper: Using the 1-ear strike/keeper as a template, drill (3) Ø7/32" pilot holes, 3/4" (19mm) deep. Secure the 1-ear strike/keeper to the pilaster using the #14 x 3/4" screws provided.

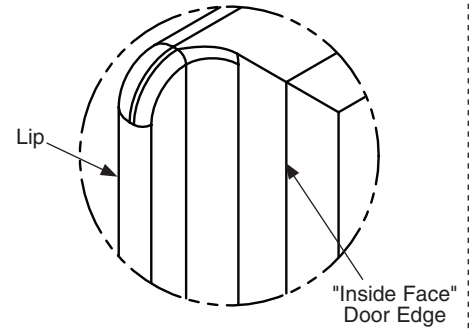
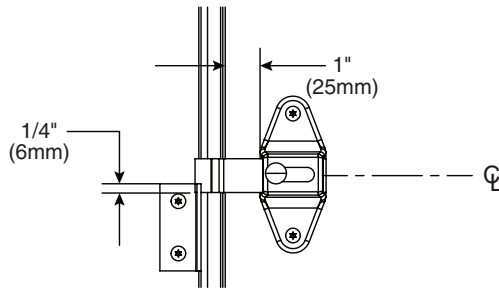
Flat Strike/Keeper 1-Ear Strike/Keeper



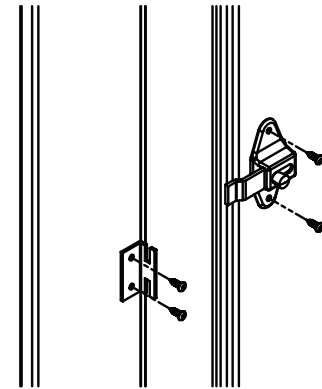
9f Door Hardware for No-Site Outswing Doors - Stainless

 Local codes vary from state to state. Check your local codes before installing the coat hook and door pulls.

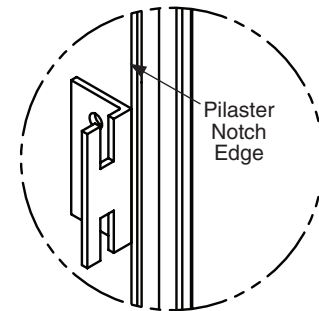
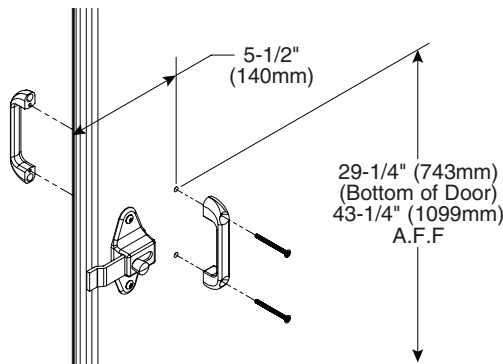
A Position latch centered top to bottom and with the leading edge 1" (25mm) from the "inside face" door edge. Using the latch as a template, mark the hole locations and drill Ø7/32" pilot holes, 3/4" (19mm) deep. Secure latch to door with the #14 x 3/4" screws provided.



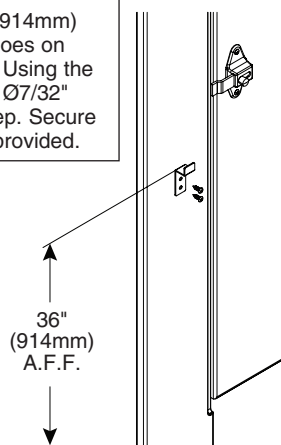
B With the door in the closed position, place the strike/keeper on the pilaster so the top edge is 1/4" (6mm) above the bottom of the latch slide bar and the leading edge is lined up with the edge of the pilaster notch (approximately 5/8" [16mm] from the side of the pilaster). Using the strike/keeper as a template, mark the hole locations and drill Ø7/32" pilot holes, 3/4" (19mm) deep. Secure the strike/keeper to the pilaster with the #14 x 3/4" screws provided.



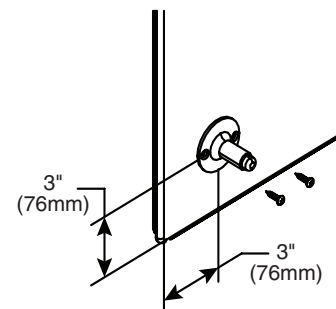
C Mark the location for the top hole on the inside face of the door 29-1/4" (743mm) up from the bottom of 55" tall doors (43-1/4" [1099mm] above finished floor) and 5-1/2" (140mm) from the "lip" of the door edge. Drill (2) Ø1/4" holes (spaced 3-1/2" [89mm] apart) through the door and secure the door pulls to the door as shown with the #10-24 x 2" flat machine screws provided.




D Position the coat hook 36" (914mm) above finished floor (hook goes on the inside of compartment). Using the hook as a template, drill (2) Ø7/32" pilot holes, 3/4" (19mm) deep. Secure with the #14 x 3/4" screws provided.



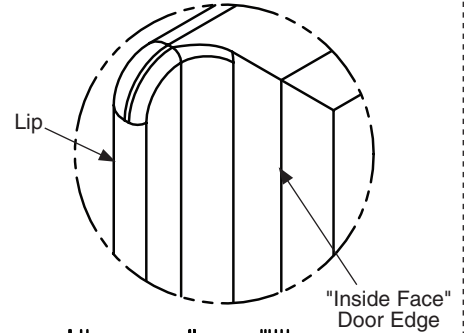
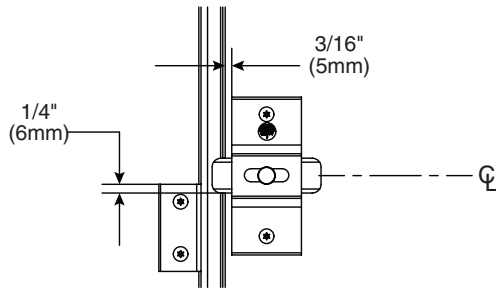
E Place wall bumper 3" (76mm) up from the bottom and 3" (76mm) from the "lip" of the door edge (bumper goes on the outside face of the door). Using the bumper as a template, drill (2) Ø5/32" pilot holes, 3/4" (19mm) deep. Secure with the #10 x 3/4" screws provided.



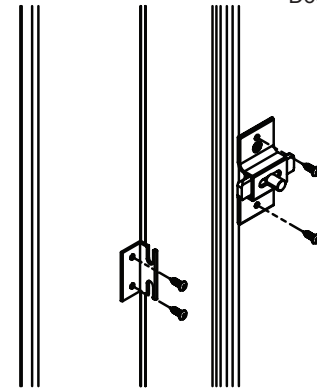
9g Door Hardware for No-Site Outswing Doors - Aluminum

 Local codes vary from state to state. Check your local codes before installing the coat hook and door pulls.

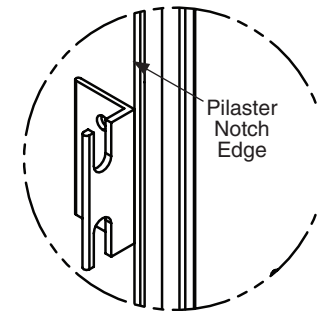
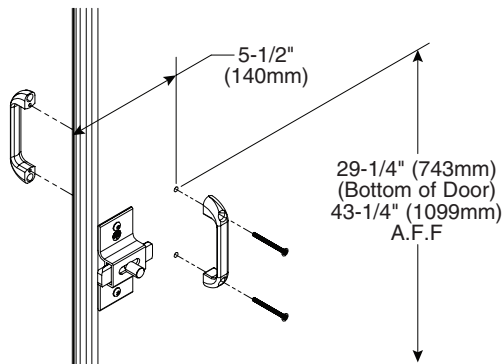
A Position latch centered top to bottom and with the leading edge 3/16" (5mm) from the "inside face" door edge. Using the latch as a template, mark the hole locations and drill Ø7/32" pilot holes, 3/4" (19mm) deep. Secure latch to door with the #14 x 3/4" screws provided.



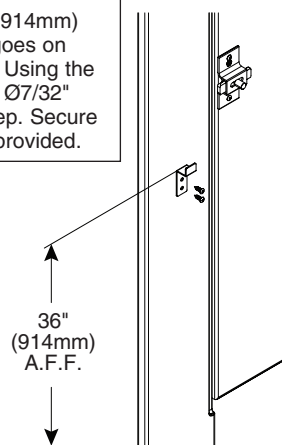
B With the door in the closed position, place the strike/keeper on the pilaster so the top edge is 1/4" (6mm) above the bottom of the latch slide bar and the leading edge is lined up with the edge of the pilaster notch (approximately 5/8" [16mm] from the side of the pilaster). Using the strike/keeper as a template, mark the hole locations and drill Ø7/32" pilot holes, 3/4" (19mm) deep. Secure the strike/keeper to the pilaster with the #14 x 3/4" screws provided.



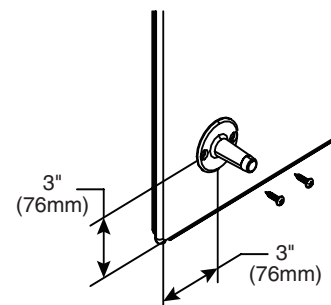
C Mark the location for the top hole on the inside face of the door 29-1/4" (743mm) up from the bottom of 55" tall doors (43-1/4" [1099mm] above finished floor) and 5-1/2" (140mm) from the "lip" of the door edge. Drill (2) Ø1/4" holes (spaced 3-1/2" [89mm] apart) through the door and secure the door pulls to the door as shown with the #10-24 x 2" flat machine screws provided.



D Position the coat hook 36" (914mm) above finished floor (hook goes on the inside of compartment). Using the hook as a template, drill (2) Ø7/32" pilot holes, 3/4" (19mm) deep. Secure with the #14 x 3/4" screws provided.



E Place wall bumper 3" (76mm) up from the bottom and 3" (76mm) from the "lip" of the door edge (bumper goes on the outside face of the door). Using the bumper as a template, drill (2) Ø5/32" pilot holes, 3/4" (19mm) deep. Secure with the #10 x 3/4" screws provided.

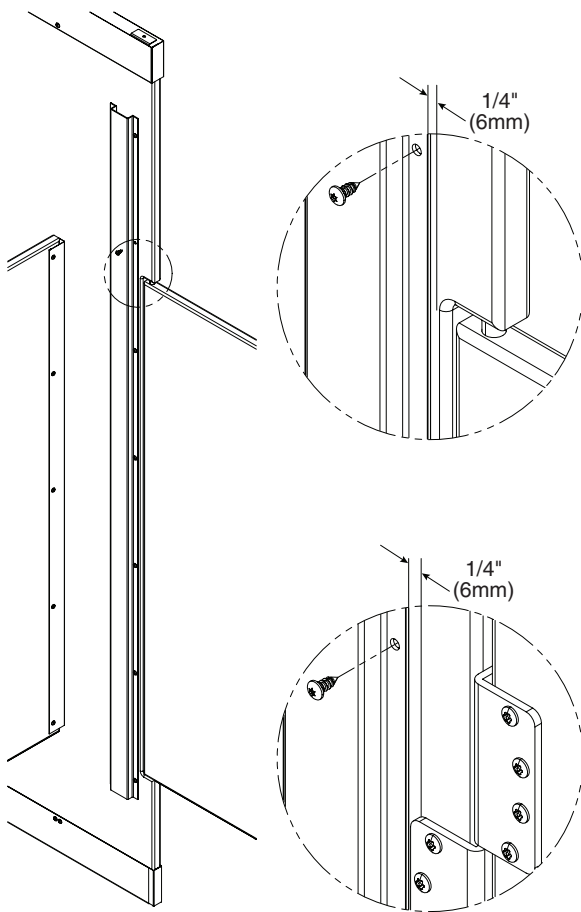


10 Stiffener Bracket

- ✓ A stiffener bracket is required for all pilasters 16" and larger.
- ✓ The stiffener bracket is installed on the largest side of a pilaster split.

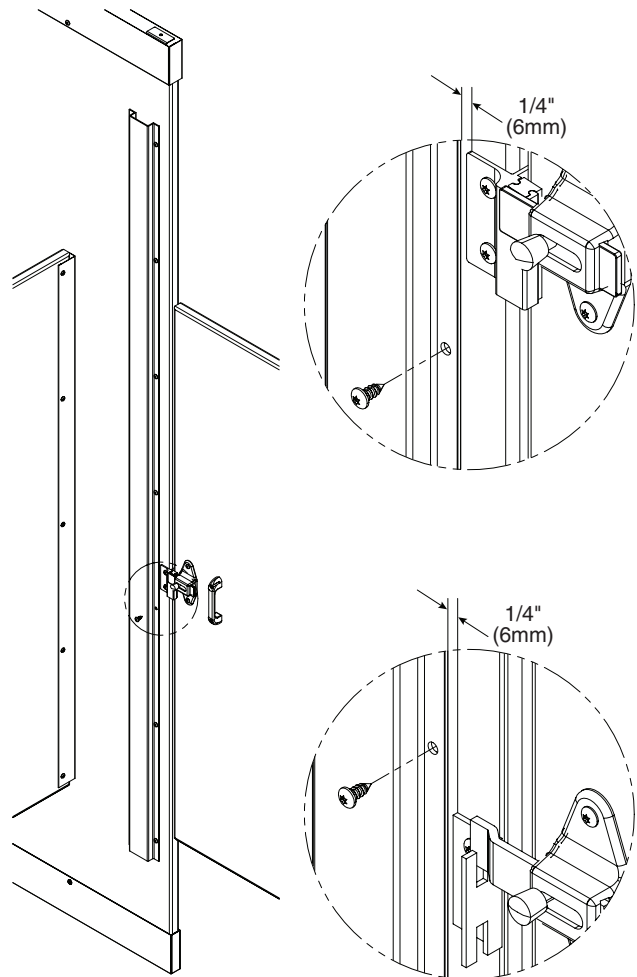
Stiffener at Door Hinge

- A** Position stiffener bracket on pilaster so the bracket edge is 1/4" (6mm) from the integral hinge cutout and centered top to bottom.
- ✓ For wraparound and continuous hinges, position 1/4" (6mm) from the hinge edge.
- B** Using the bracket as a template, drill Ø7/32" pilot holes, 3/4" (19mm) deep. Secure the bracket to the pilaster with the #14 x 5/8" screws provided.



Stiffener at Door Strike

- A** Position stiffener bracket on pilaster so the bracket edge is 1/4" (6mm) from the strike/keeper and centered top to bottom.
- B** Using the bracket as a template, drill Ø7/32" pilot holes, 3/4" (19mm) deep. Secure the bracket to the pilaster with the #14 x 5/8" screws provided.

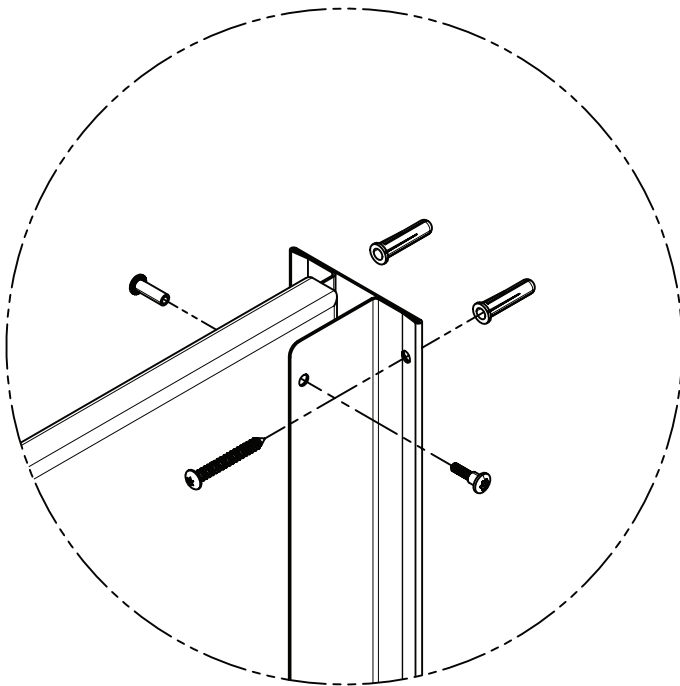


11 Urinal Screens with Continuous Stainless Steel Brackets (Standard)

- Before installing the urinal screen components, determine the correct location for your application.
- Brackets are used as templates, but since the hole patterns may be different, the brackets may not be interchangeable.

A Draw a plumb line on the wall to represent the urinal screen centerline. Measure from the highest point in the room and place a mark on the urinal screen centerline at dimension "A" for the respective urinal screen height (see table below).

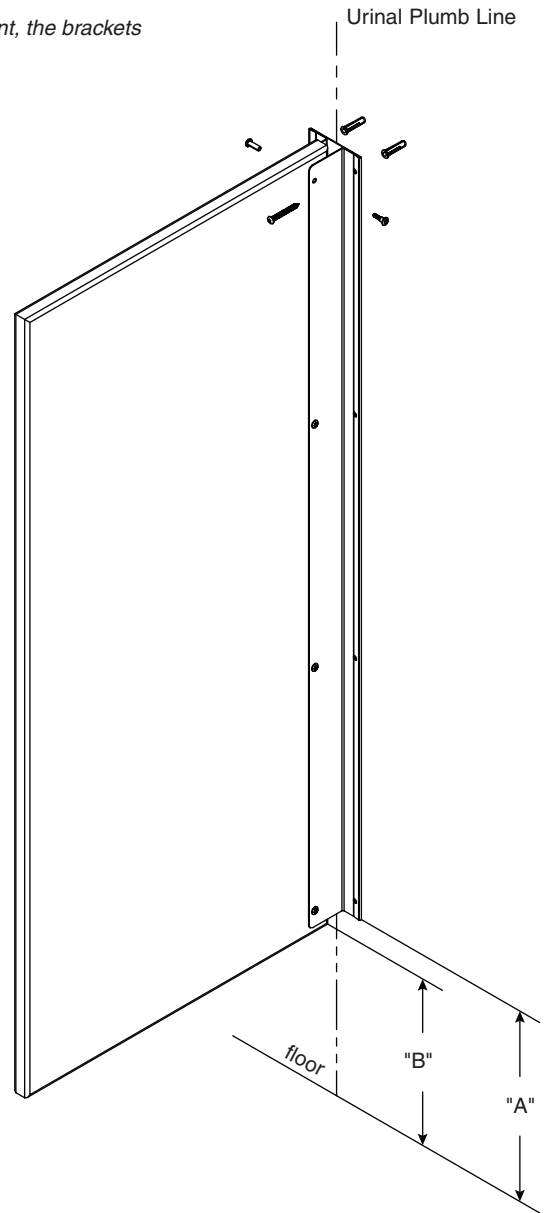
B Place the bottom of the bracket on the mark and center the opening on the urinal screen centerline. Using the bracket as a template, mark the hole locations on the wall. Remove the bracket and drill a $\text{Ø}5/16"$ hole (minimum 2" [51mm] deep) at each hole location.



C Insert plastic anchors in all holes and secure bracket to the wall with the #14 x 2" screws provided.

D Place the urinal screen at dimension "B" for the respective urinal screen height (see table on right) and insert it into the wall bracket until a 1" (25mm) gap between the wall and urinal screen is established.

E Using the bracket as a template, drill $\text{Ø}1/4"$ holes through the urinal screen at each bracket hole. Secure the urinal screen to the bracket with the #10-24 x 3/4" barrel nuts and #10-24 x 3/4" shoulder screws provided.



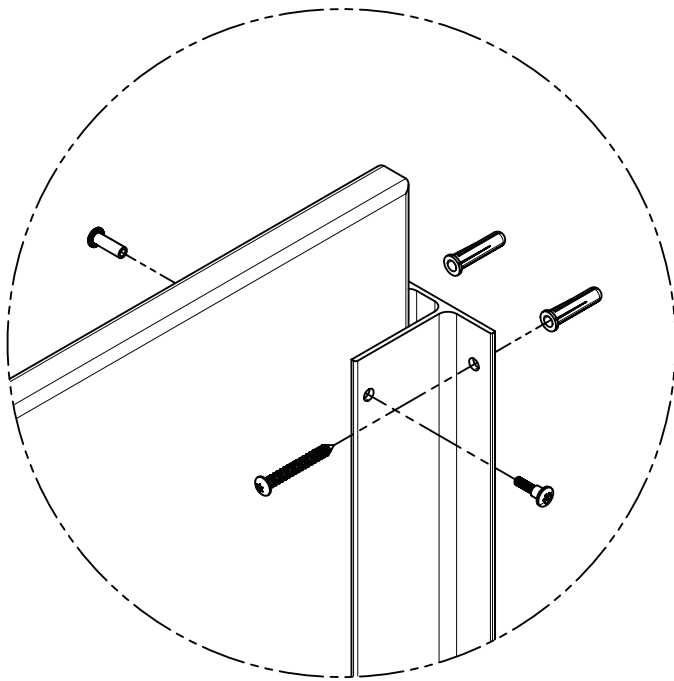
	Dim "A"	Dim "B"
42" Urinal Screen	18-1/2" (470mm)	18" (457mm)
48" Urinal Screen	12-1/2" (318mm)	12" (305mm)

11a Urinal Screens with Continuous Aluminum Brackets (Optional)

- Before installing the urinal screen components, determine the correct location for your application.
- Brackets are used as templates, but since the hole patterns may be different, the brackets may not be interchangeable.

A Draw a plumb line on the wall to represent the urinal screen centerline. Measure from the highest point in the room and place a mark on the urinal screen centerline at dimension "A" for the respective urinal screen height (see table below).

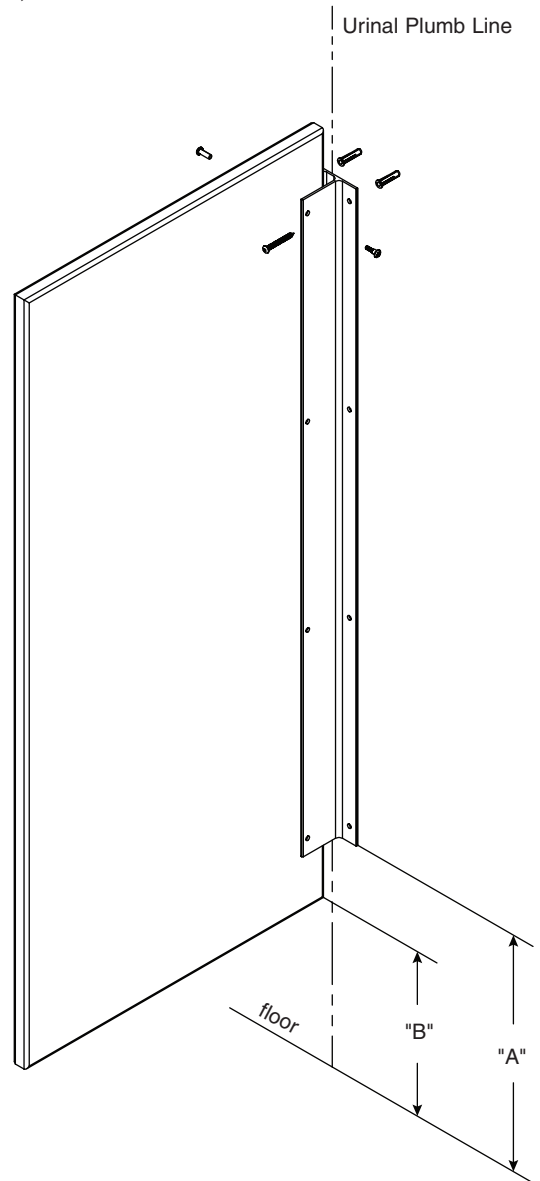
B Place the bottom of the bracket on the mark and center the opening on the urinal screen centerline. Using the bracket as a template, mark the hole locations on the wall. Remove the bracket and drill a Ø5/16" hole (minimum 2" [51mm] deep) at each hole location.



C Insert plastic anchors in all holes and secure bracket to the wall with the #14 x 2" screws provided.


D Place the urinal screen at dimension "B" for the respective urinal screen height (see table on right) and insert it into the wall bracket until a 1" (25mm) gap between the wall and urinal screen is established.

E Using the bracket as a template, drill Ø1/4" holes through the urinal screen at each bracket hole. Secure the urinal screen to the bracket with the #10-24 x 3/4" barrel nuts and #10-24 x 3/4" shoulder screws provided.



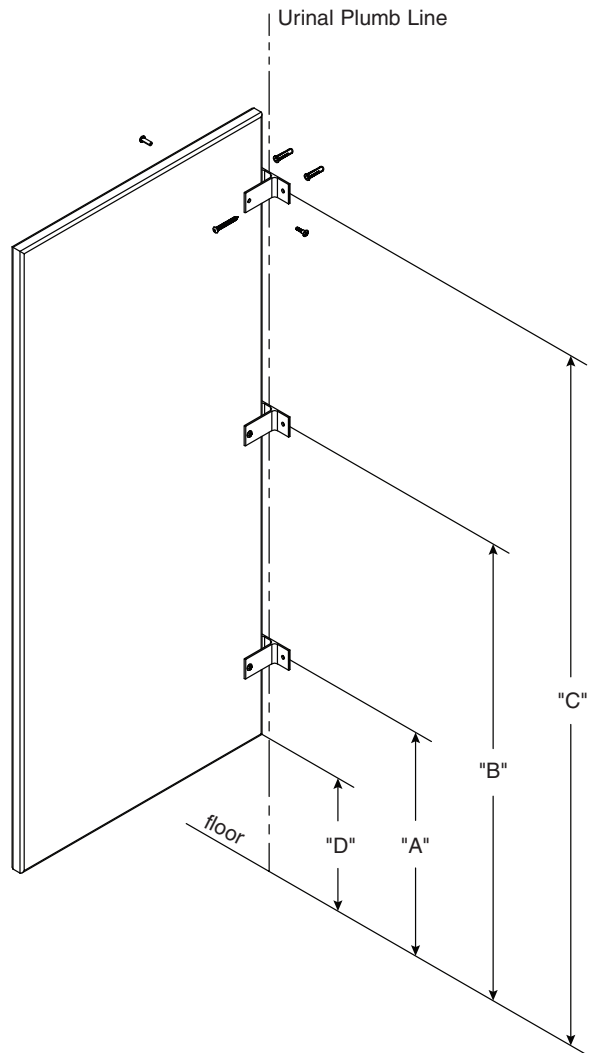
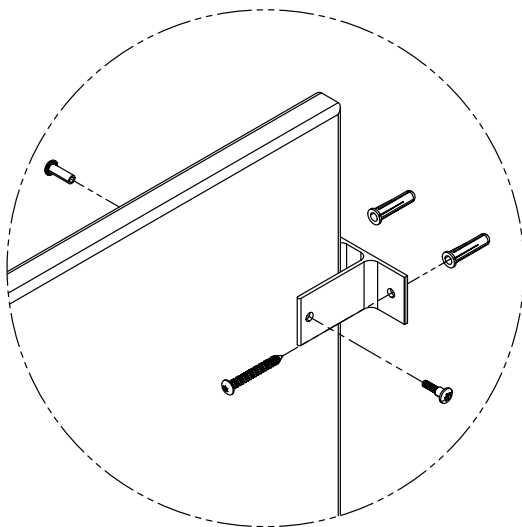
	Dim "A"	Dim "B"
42" Urinal Screen	18-1/4" (464mm)	18" (457mm)
48" Urinal Screen	15-1/4" (387mm)	12" (305mm)

11b Urinal Screens with Stirrup Brackets (Optional)

 Before installing the urinal screen components, determine the correct location for your application.

A Draw a plumb line on the wall to represent the urinal screen centerline. Measure from the highest point in the room and place a mark on the urinal screen centerline at dimensions "A", "B" and "C" for the respective urinal screen height (see table below).

B Position and center brackets at each mark and urinal screen centerline. Using the bracket as a template, mark the hole locations on the wall. Remove the bracket and drill a Ø5/16" hole (minimum 2" [51mm] deep) at each hole location.



C Insert plastic anchors in all holes and secure bracket to the wall with the #14 x 2" screws provided.

D Place the urinal screen at dimension "D" for the respective urinal screen height (see table on right) and insert it into the wall brackets until a 1" (25mm) gap between the wall and urinal screen is established.

E Using the bracket as a template, drill Ø1/4" holes through the urinal screen at each bracket hole. Secure the urinal screen to the brackets with the #10-24 x 3/4" barrel nuts and #10-24 x 3/4" shoulder screws provided.

	Dim "A"	Dim "B"	Dim "C"	Dim "D"
42" Urinal Screen	24" (610mm)	39" (991mm)	54" (1372mm)	18" (457mm)
48" Urinal Screen	18" (457mm)	36" (914mm)	54" (1372mm)	12" (305mm)