



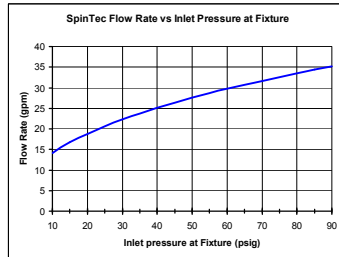
Enclosed Outdoor Safety Shower with Hot Water Tank

- 100% Fiberglass Surround Construction – Exterior Includes UV Inhibitor Gel-Coat
- Flame-Retardant Resin with a Class 1 Flame Spread Index per ASTM E-84
- Multi-directional drain system
- Insulation Factor Protection Rating R-8 (ASTM C518)
- Top & Base Lift Capability
- Combination Drench Shower, Eyewash, Eye/Face Wash and Drench Hose Fixtures are UL Certified to ANSI/ISEA Z358.1
- Design to National Electric Code

Standard Equipment

Safety Shower, Eyewash and Drench Hose

Standard showerhead is 3.1" (78.7mm) diameter highly visible yellow impact-resistant plastic. Patented SpinTec™ drench showerhead features integral 22 GPM (83.3 LPM) flow control, conserves water and provides equal distribution throughout the spray pattern providing a more effective wash down. Shower is activated by a stainless steel pull rod.



Bradley's drench shower and eyewash ship with corrosion-resistant BradTect® yellow coating, providing additional protection from nature's elements (optional stainless steel drench shower and eye/face wash is available). The drench shower, eyewash and drench hose are equipped with a freeze protection valve that begins to bleed cold water at 40°F (5°C) and is fully open at 35°F (2°C). A scald protection valve is also installed as a standard feature. The scald valve begins to bleed hot water at 95°F (35°C) and is fully open at 100°F (38°C).

The Halo eyewash system offers a high performance rinsing platform that provides rapid relief to an individual's eyes that have been injured by chemicals or particulates. The eyewash includes an integral 5.1 GPM (19.2 L) flow control, providing water at a safe velocity while maintaining its effectiveness (exceeds minimum water flow of 0.4 GPM (1.5 L) at 30 PSI (2.0 bar)). The eyewash is protected by flip open dust covers that open when the product is activated. Safe, steady water flow under varying water supply conditions from 30–90 PSI (2.0–6.1 bar) is assured by integral flow control in the sprayhead assembly. Halo™ is covered by one or more of the following patents: 9,700,484; 9,314,398; D662220; D673298; D662605; D685920; D662219; and D671228. Other patents pending.

Inlet and Water Supply Pressure

Water inlet has a 1¼" NPT union connection. Hot water tank must be supplied with an incoming cold water pressure between 50 and 90 psi (3.4–6.2 bar).

Enclosure Construction

External

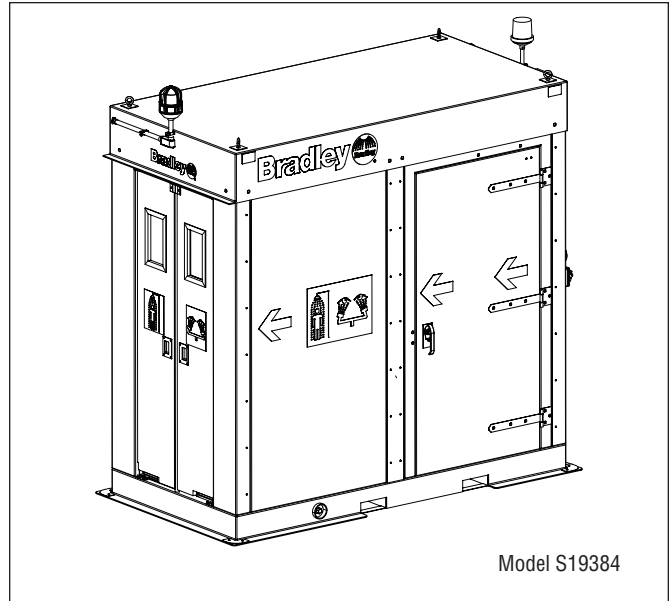
The shelter is constructed from 100% FRP (fiberglass-reinforced plastic) that is laminated and sealed around an insulating core. The FRP is coated with a UV-inhibiting gel coat to protect the roof, walls and base from degradation due to prolonged exposure to sunlight, harsh chemicals or salt-laden marine environments.

The special flame-retardant polyester resin has a Class 1 Flame Spread Index per ASTM E-84 and a Smoke Developed Index of more than 450.

The corrosion-resistant enclosure helps protect against internal freezing with an insulation factor of R-8.

Exterior of shelter is safety yellow (RAL-1018), and includes safety decals directing the injured party to the weather resistant double-acting spring hinge doors that include stainless steel handles and safety glass viewing windows. The crash doors include weather strips to maintain the maximum seal against wind, rain and snow.

The FRP base includes integral forklift slots for added protection when moving the shelter with a fork truck. Stainless steel lifting eyes are attached to the roof, permitting crane lifting when placing the unit.



Model S19384

Internal

The shower area includes a sloped drain below a removable fiberglass floor grate. Three drain ports are provided (left, center, right) and can be connected to external drain plumbing in any configuration using a 3" NPT fitting in any port.

A FRP splash panel is located behind the shower fixture allowing separation between the shower and the tepid water supply areas.

Lockable FRP maintenance doors are located on each side near the rear of the shelter, allowing easy access to the tepid water system and internal space heating systems. Waterproof flooring in this area allows for wash down and guides water flow to the main shower drain area.

Code Compliance and Certifications



UL Classified to ANSI/ISEA Z358.1



UL Listed Industrial Control Panel(s) for US and Canada

Designed to the National Electrical Code (NEC/NFPA70)



Bradley Enclosed Safety Showers are non-cancelable, non-refundable and non-returnable.



Enclosed Outdoor Safety Shower with Hot Water Tank

Electrical/Signaling System

Signaling System

A signaling system with a double pole double throw flow switch activates the exterior warning light. A push button is provided to silence the horn after the shower has been activated. A second set of dry contacts allow the user to provide alarm connections to a remote control room in the facility.

Hot water tank temperature control alarm dry contacts are also standard.

Electrical System

Standard electrical system components include an exterior over-door beacon light, internal ceiling-mount light, and an internal convection space heater. The convection heater protects the enclosure to -40°F (-40°C). A junction box and disconnect switch are located on the exterior wall for ease of electrical power connection by owner.

Pressure Booster

A pressure booster pump is available. Evaluate site conditions prior to selecting this option. The pump is powered by the same electrical supply as the rest of the system. An automatic on/off pressure switch is included with the pump. All controls necessary to automatically start the pump are included. The booster pump requires an inlet water pressure between 20 and 60 psi (1.3-4.1 bar). Pump will begin to function when the pressure falls below 45 psi (3.1 bar).

- Only one electrical connection is required.
- Shelter includes disconnect switch.
- Grounding plate included.

Hot Water Tank and Heating System

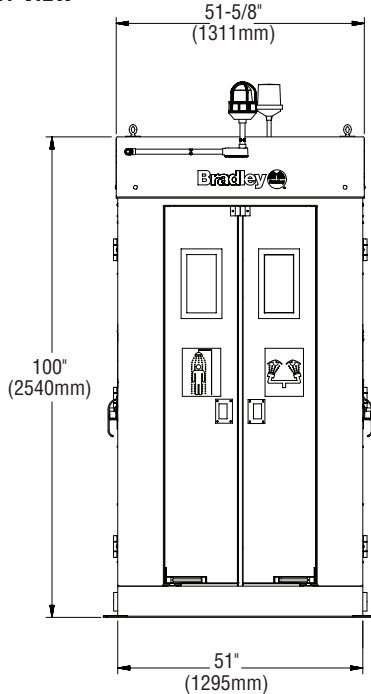
Standard system includes a 119-gallon hot water tank with immersion heater and temperature sensor. An electrical control panel constantly monitors and controls the water, heating and alarm systems.

An optional 119 gallon ASME rated hot water tank is available.

Tepid Water Delivery System

System includes an emergency thermostatic mixing valve with fixed, full flow cold water bypass. The valve blends cold water (supplied by others) and hot water from a tank mounted inside of the enclosure to produce water between 60-100°F (16-37°C). Tepid water is required per ANSI/ISEA Z358.1.

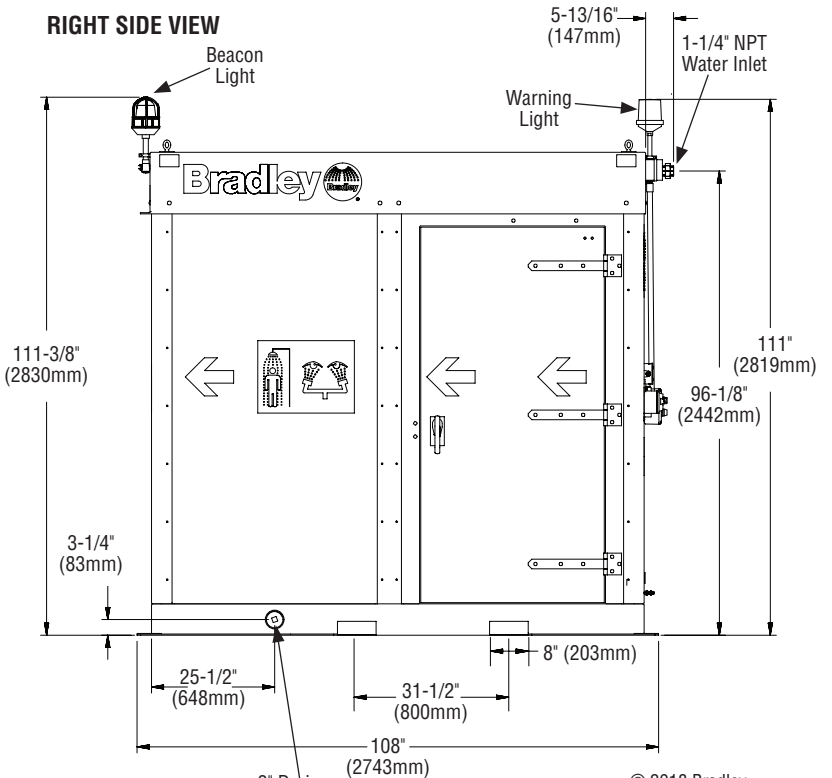
FRONT VIEW



TOP VIEW



RIGHT SIDE VIEW



Bradley Enclosed Safety Showers are non-cancelable, non-refundable and non-returnable.



Enclosed Outdoor Safety Shower with Hot Water Tank

Model

S19384 Enclosed Outdoor Safety Shower with Hot Water Tank



Bradley Enclosed Safety Showers are non-cancelable, non-refundable and non-returnable.

Selections (must select one from each category)

Electrical Class:

- GA General Area Classification
- D2 Class I, Division 2, Groups C, D; T-Code: T3A
- D1 Class I, Division 1, Groups C, D; T-Code: T3B

Supply Voltage:

- V2 208V 60Hz single phase
- V4 240V 60Hz single phase
- V5* 480V 60Hz three phase

Safety Shower Configuration:

- EW Halo eyewash and Spintec drench shower
- FW Halo eye/face wash and Spintec drench shower
- SS All stainless steel Halo eye/face wash, Spintec drench shower

Pressure Booster Pump:

- PB Pressure Booster
- 0 None (standard)

Water Heater:

- ST1 119-gallon (standard)
- ST2 119-gallon (ASME)

*Not available with Class I Division 1 units.

Custom Adders (may impact electrical rating):

Job Name: _____

Location: _____

Revision Date: _____



A signed submittal drawing is required. This submittal drawing will be provided upon receipt of order.

This is to acknowledge that the "End User" identified below has marked the boxes in the selection guide above to design an enclosure that will meet its site and specification requirements, and wishes to have Bradley custom-build that enclosure to its order, on the understanding that the order may not be canceled, the enclosure may not be returned and that no refund of any portion of the purchase price for the enclosure will be made (except under Bradley's warranty). It is also to acknowledge that the "Distributor" identified below is placing an order with Bradley for the enclosure, on the Terms and Conditions found on Bradley's website, at www.bradleycorp.com, again on the understanding that the order may not be canceled, the enclosure may not be returned and that no refund of any portion of the purchase price for the enclosure will be made (except under Bradley's warranty).

name of "End User" _____

name of "Distributor" _____

by _____

by _____

title _____

title _____

date _____

date _____