



LENOXZLOCKER

Lenox "Z" Locker - Solid Plastic

- Tough, attractive, solid plastic never needs painting; resists dents and scratches
- Impervious to moisture — lockers will not rust or delaminate
- Made from 30% pre-consumer recycled HDPE plastic
- Durable, vandal resistant all-welded construction
- Wide range of sizes, colors and options
- ADA compliant handle operation
- 20-year warranty against rust, delamination or breakage under normal use*
- Lockers ship assembled; optional top, end panel and base assembled at the job site
- US Patent Numbers: 6,685,285 – 6,792,661 – 6,793,299 – 7,029,078 – 7,223,317 – 7,278,695 – 7,510,249 – 7,699,412 – 7,789,471 – 8,113,602
- Other Patents Pending

Construction - Standard Features

Sizes

Standard Sizes:	15", 18"	Wide
	12", 15", 18", 21", 24"	Deep
	60", 72"	Tall
	Z-Tiers	

Doors and Frames

Constructed of ½" thick High Density Polyethylene (HDPE) with homogeneous color and a matte finish texture. Dirt or graffiti are easily removed with standard industrial cleaners. Frames are welded to locker box to provide a secure, rigid assembly. Doors have ventilation slots.

Sides, Tops, Bottoms, Dividers and Shelves

Constructed of ⅜" thick white HDPE with a smooth finish. Sides and back of box are formed from a single sheet of HDPE with fused corners. Top and bottom are welded to frame without metal fasteners or dovetail joints. "Z" shelves are slid into corresponding grooves in sides and back. Gussets provide added support for the box.

Latch Bar

Full length latch bar is constructed of ½" thick 100% pre-consumer recycled black High Density Polyethylene (HDPE) with a smooth finish. Runs entire length of door, providing a continuous security latching system. Latch lifts up to open and returns to closed position after door is closed. Latch bar is secured to locker door with stainless steel security torx-head shoulder screws.

Hinge

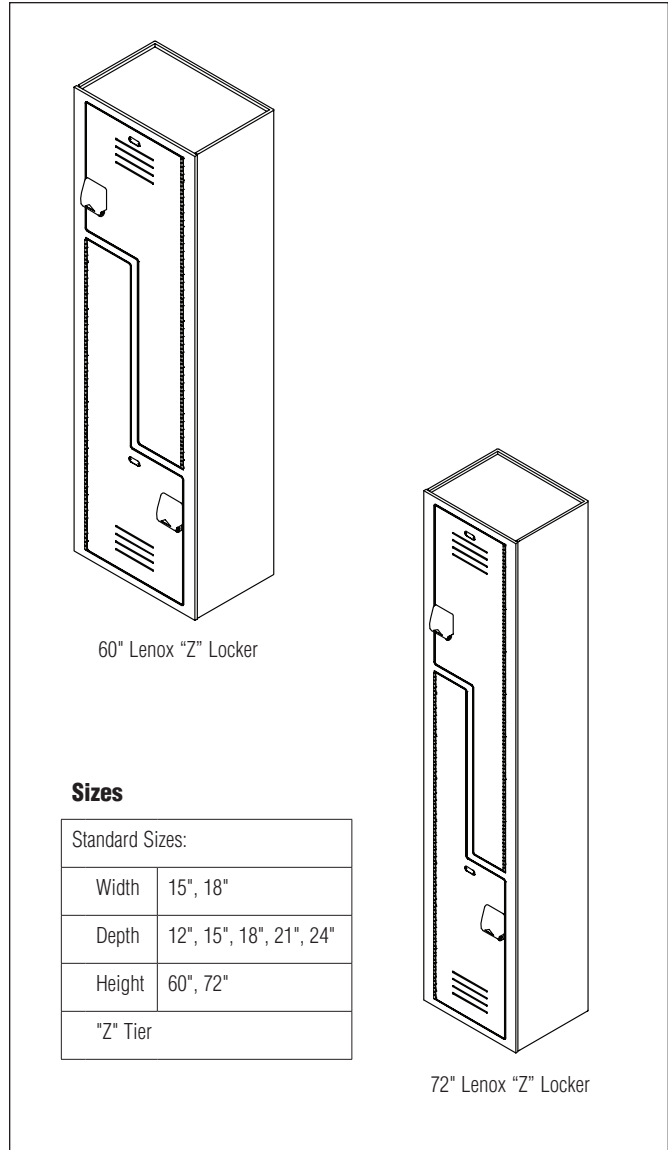
Heavy-duty, full-length piano hinge is constructed of 18 gauge, type 304 stainless steel. Hinge wraps around edges of the door and the frame and is secured with stainless steel security torx-head screws. Hinge is powder coated to match locker color† and is field replaceable.

Handle

Constructed of injection molded plastic. Ergonomically designed handle is ADA compliant — operates with less than 5 lbs. of force. Handle is secured through latch bar to door with stainless steel security torx-head screws.

* Normal use further defined as lockers installed in a climate-controlled environment, away from direct sunlight.

† Starry Night locker will have black hinge and handle.



Hasp

Constructed of 12 gauge stainless steel. Accepts standard padlocks with ⅜" diameter (nominal). (Long shackle padlocks should not be used.) Secured to door behind latch bar with stainless steel screws.

Coat Hook

Double hook constructed of black polycarbonate. Hook hangs centered over long side of locker. Secured with stainless steel screws.

Wood bases are not recommended.



LENOXZLOCKER

Lenox “Z” Locker - Solid Plastic

Construction - Optional Features

Slope Top – Model LENOXSLOPETOP

Constructed of a 1" thick HDPE backplate (color may vary) and a ½" thick colored HDPE slope top panel. Provides a finished look and prevents accumulation of dust and storage of items on top of lockers. Back plate secures to wall first, then panel is secured through the locker top from the inside — no exposed fasteners. Standard slope is 10°. Available in single locker size or in 24", 30", 36", 45" and 72" lengths. All necessary hardware included.

Flat Top – Model LENOXFLATTOP

Constructed of ½" thick HDPE with homogeneous color and a matte finish texture. Provides a finished look on top of lockers. Available in single locker size or in 24", 30", 36", 45", 54" and 72" lengths. Hardware not included.

Base – Model LENOXBASE

Constructed of 1" thick HDPE with homogeneous color and a matte finish texture. Base is between 3" and 8" tall and set back 3" from locker front to provide toe clearance. Notched end caps provide ease of installation. Installation hardware, including screws, anchors, L-brackets and mending plates are included.

Number Plates

Constructed of white acrylic with black film coating. Laser etched with number specified. Number plates are secured with grooved rivets into a recessed pocket cut into the door. Plates must be fastened to lockers on the job by installer.

End Panels – Model LENOXENDPANEL

Constructed of ¾" thick HDPE with homogeneous color and a matte finish texture. End panels cover white locker sides on exposed ends and are available in flat or slope top styles and in single or double (back-to-back) configurations. When properly installed, the top edge of the end panel is exposed, sitting flush with the finished locker top. All necessary hardware included.

Mesh Doors

Standard locker doors are machined with cross-hatch pattern to provide ventilation for locker contents. Not available with logos or built-in locks.

Mirror

4" x 6" Acrylic Mirror with double-sided adhesive tape. Assembled at the job site for placement flexibility.

Built-In Key Lock

Standard hasp is replaced with Master Lock key lock. All locks are master keyed and include two user keys for each lock. Key can only be removed from lock in locked position. Master keys ordered separately. Not available with mesh doors.

Built-In Combination Lock

Standard hasp is replaced with Master Lock combination lock. All locks are keyed to one master key (included) and come pre-programmed with five separate combinations. Master keys ordered separately. Not available with mesh doors.

Water Resistant Digital Combination Lock (DCL)

Standard hasp is replaced with Lowe & Fletcher DCL. Water resistant keypad lock uses 4-digit pin as user code to lock and unlock locker doors. Code is changed with every use. 2mm Allen wrench and master keys ordered separately.

Coin Return Lock

Standard hasp is replaced with Safe-O-Mat coin lock located inside the locker door. Locks are available in \$0.25, token, Euro or Canadian Loonie denominations. User inserts coin to secure locker with key. When locker door is opened with key, coin is returned. Number tags for keys are not included. Tokens, master keys and extra cylinders ordered separately. Not available with mesh doors.

Coin Retain Lock

Standard hasp is replaced with Safe-O-Mat model coin lock located inside the locker door. Locks are available in (1) \$0.25, (2) \$0.25, token, Euro or Loonie denominations. User inserts coin to secure locker with key. When locker door is opened with key, coin is retained in collection box secured with a master key. Number tags for keys are not included. Tokens, master keys and extra cylinders ordered separately. Not available with mesh doors.

Combination Padlock

Master Lock #1525 combination padlock fits into standard hasp. Double reinforced construction with stainless steel outer case and cold-rolled steel inner case adds strength and durability. Nickel-plated hardened steel shackle resists rust.

Cutout Only Option

All lock types currently offered have a cutout only option which allows the locks to be purchased by others. Doors will be prepped for lock selected.

Wall Hooks

Constructed of black powder-coated cast zinc. 1–3 hooks can be secured to each tier with this option. (Please specify location.)

Coat Rod

Constructed of schedule 40 PVC-1120. Rod is mounted with plastic pole sockets and stainless steel screws. Available in lockers 18" deep and larger.

Fillers - Model LENOXFILLER

Constructed of ½" thick HDPE secured to ¾" thick HDPE angle bracket. Filler is attached through the inside of an end or corner locker to fill gaps between lockers and a wall or another locker in a corner. Available in colors to match lockers 60" or 72" tall, 6", 12", 15" and 18" wide. All necessary hardware included.

Logos

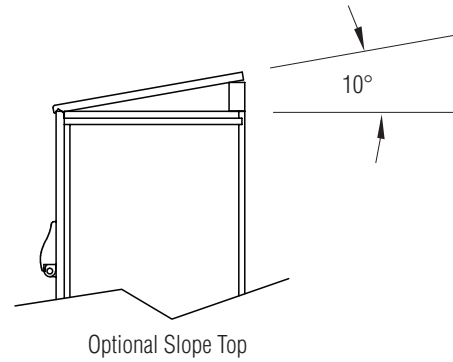
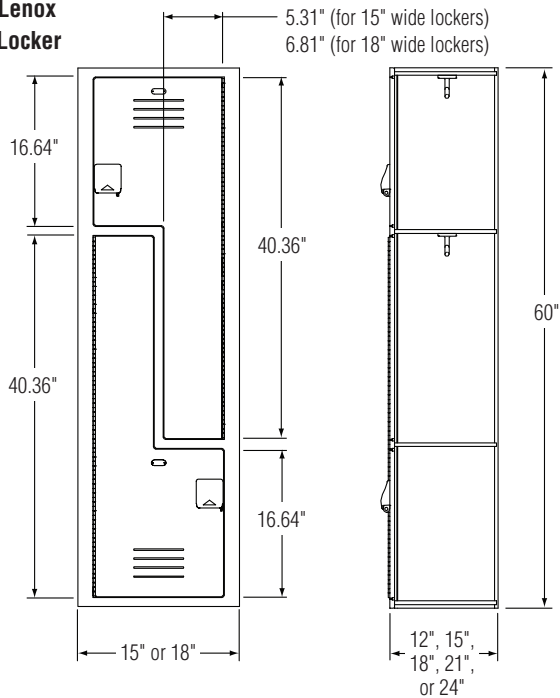
Handicap or a custom logo is machined into the locker door. Custom logo artwork must be provided to Bradley in one of the following formats "DXF", "DWG", "IGES" or "SAT". Font and the size of the logo are also needed. Handicap logos are available in standard hasp only. Base height required when selecting handicap logo.



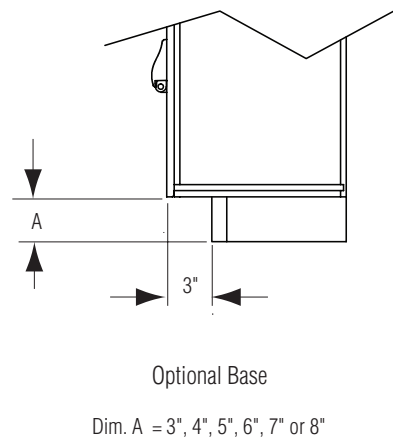
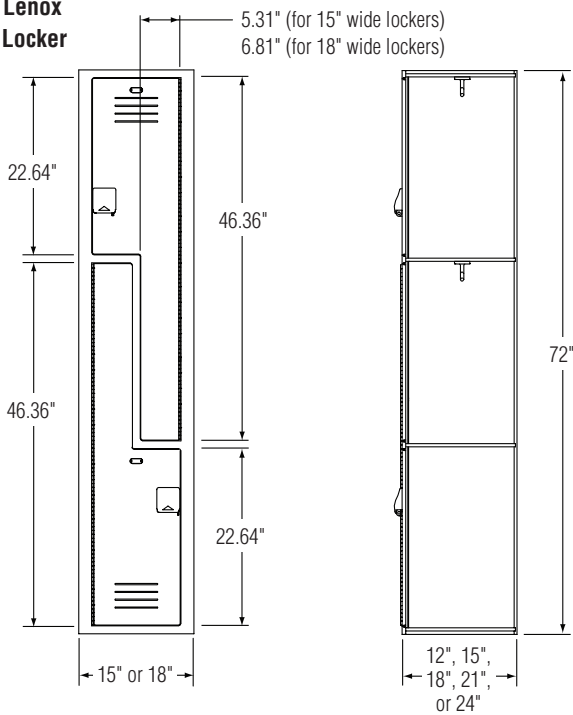
LENOXZLOCKER

Lenox "Z" Locker - Solid Plastic

60" Lenox "Z" Locker



72" Lenox "Z" Locker



Front View

Side View
(showing inside of locker)



LENOXZLOCKER

Lenox "Z" Locker - Solid Plastic

Please see Optional Selections Tech Data for additional ordering information.

Model	Description
<input type="checkbox"/> LENOXZLOCKER	Solid Plastic Locker

Required Selections (Must select one from each category)

Locker Width (select one):

<input type="checkbox"/> 15-WIDTH	15" Wide Locker
<input type="checkbox"/> 18-WIDTH	18" Wide Locker

Locker Depth (select one):

<input type="checkbox"/> 12-DEPTH	12" Deep Locker
<input type="checkbox"/> 15-DEPTH	15" Deep Locker
<input type="checkbox"/> 18-DEPTH	18" Deep Locker
<input type="checkbox"/> 21-DEPTH	21" Deep Locker
<input type="checkbox"/> 24-DEPTH	24" Deep Locker

Locker Height (select one):

<input type="checkbox"/> 60-HGT	60" High Locker
<input type="checkbox"/> 72-HGT	72" High Locker

Locker Tiers (select one):

<input type="checkbox"/> ZTIER	"Z" Tier Locker
--------------------------------	-----------------

Locker Color[†] (select one):

<input type="checkbox"/> BEIGE	<input type="checkbox"/> RED
<input type="checkbox"/> BURGUNDY	<input type="checkbox"/> STARRY-NIGHT [†]
<input type="checkbox"/> BUTTERMILK	<input type="checkbox"/> TOFFEE
<input type="checkbox"/> CANYON-GRANITE	<input type="checkbox"/> WHITE
<input type="checkbox"/> CHARCOAL-GRAY	<input type="checkbox"/> PC-BLACK 100% Post-Consumer Recycled Black**
<input type="checkbox"/> DEEP-BLUE	<input type="checkbox"/> PC-CHARCOALGRAY 100% Post-Consumer Recycled Charcoal Gray**
<input type="checkbox"/> DESERT-STONE	<input type="checkbox"/> PC-TOFFEE 100% Post-Consumer Recycled Toffee**
<input type="checkbox"/> GRAY	<input type="checkbox"/> RECYCLED-BLACK 100% Pre-Consumer Black
<input type="checkbox"/> LINEN	
<input type="checkbox"/> MOSS	

Locker Door (select one):

<input type="checkbox"/> STD-DOOR	Standard Door — Louvered Vented
<input type="checkbox"/> MESH-DOOR	Vented Mesh Door

** 100% Post-Consumer HDPE may have some minor flaws and the color may be inconsistent.

[†] Starry Night locker will have black hinge and handle.

Lockers are non-cancelable and non-returnable.

Optional Selections

Locker Lock Type:

<input type="checkbox"/> STD-HASP-LOCK	Standard Hasp Lock
<input type="checkbox"/> KEY-LOCK	Built-in Key Lock
<input type="checkbox"/> COMBINATION	Built-in Combination Lock
<input type="checkbox"/> DCL-LOCK	Digital Combination Lock
<input type="checkbox"/> COIN-LOCK	Coin Operated Lock

Locker Coin Type:

<input type="checkbox"/> 25-COLLECT	(1) \$0.25 Coin Collect Lock
<input type="checkbox"/> 50-COLLECT	(2) \$0.25 Coin Collect Lock
<input type="checkbox"/> 1-EURO-COLLECT	Euro Collect Lock
<input type="checkbox"/> 2-EURO-COLLECT	2-Euro Collect Lock
<input type="checkbox"/> 1-LOONIECOLLECT	Loonie Collect Lock
<input type="checkbox"/> 25-RETURN	\$0.25 Coin Return Lock
<input type="checkbox"/> 1-TOKEN-RETURN	Token Return Lock
<input type="checkbox"/> 1-EURO-RETURN	Euro Return Lock
<input type="checkbox"/> 2-EURO-RETURN	2-Euro Return Lock
<input type="checkbox"/> 1-LOONIERETURN	Loonie Return Lock

Locker Padlock:

<input type="checkbox"/> PADLOCK	Combination Padlock
<input type="checkbox"/> CUT-OUT-KEY	Cut Out Only for Key Lock
<input type="checkbox"/> CUT-OUT-COMBI	Cut Out Only for Combination Lock
<input type="checkbox"/> CUT-OUT-DCL	Cut Out Only for DCL Lock
<input type="checkbox"/> CUT-OUT-COIN	Cut Out Only for Coin Lock

Tokens:

<input type="checkbox"/> 0-TOKENS	0 Tokens Per Lock
<input type="checkbox"/> 1-TOKEN	1 Token Per Lock
<input type="checkbox"/> 2-TOKENS	2 Tokens Per Lock
<input type="checkbox"/> 3-TOKENS	3 Tokens Per Lock
<input type="checkbox"/> 4-TOKENS	4 Tokens Per Lock
<input type="checkbox"/> 5-TOKENS	5 Tokens Per Lock

Locker Number Plates:

<input type="checkbox"/> NUMBERS	Number Plates: List Sequence _____
<input type="checkbox"/> NO-NUMBERS	Number Plates Not Required

Locker Logos:

<input type="checkbox"/> NO-LOGO	No Logo
<input type="checkbox"/> HANDICAP-LOGO	Handicap Logo Base Height _____ (Required when selecting Handicap Logo) Existing base height up to 24"H, 1/4" increments.
<input type="checkbox"/> CUSTOM-LOGO	Custom Logo: Description _____

Locker Wall Hooks:

<input type="checkbox"/> NO-HOOKS	No Wall Hooks
<input type="checkbox"/> ONE-HOOK	1 Wall Hooks per Tier Specify Location(s) _____
<input type="checkbox"/> TWO-HOOKS	2 Wall Hooks per Tier Specify Location(s) _____
<input type="checkbox"/> THREE-HOOKS	3 Wall Hooks per Tier Specify Location(s) _____

Locker Coat Rod:

<input type="checkbox"/> COAT-ROD	Optional Coat Rod (18"D, 21"D, or 24"D lockers only)
-----------------------------------	--