


- Complies with American National Standard Z358.1
- Galvanized Steel Pipe and Waste Tee with Floor Flange Protected with BradTect® Safety Yellow Coating
- Universal Identification Sign and Inspection Tag Included
- Full, One-Year Warranty
- Classified by Underwriters Laboratory Inc. to ANSI Z358.1

Specifications

Unit design saves space and fits easily into any work environment. Eye/face wash operates quickly by a large, highly visible push handle. Safe, steady water flow under varying water supply conditions from 30–90 PSI is assured by integral flow control in the sprayhead assembly. NOTE: The ANSI Z358.1 standard requires an uninterrupted supply of flushing fluid at a minimum 30 PSI flowing pressure. Eye/face wash sprayheads contain an antimicrobial agent to protect the sprayheads.

 *This plumbing fixture is not intended to dispense water for human consumption through drinking or for preparation of food or beverages.*

Standard Equipment

Eyewash Bowl

10 $\frac{3}{4}$ " (273mm) diameter corrosion-resistant stainless steel.

Standard Sprayhead Assembly

Twin perforated-disc eye/face wash heads with protective sprayhead covers. Safe, steady water flow under varying water supply conditions from 30–90 PSI is assured by integral flow control in the sprayhead assembly.

Valve

Chrome-plated brass $\frac{1}{2}$ " NPT stay-open ball valve. Hand operated by a large, highly visible safety yellow PVC push handle. Model S19-210YF has a foot treadle.

Pipe and Fittings

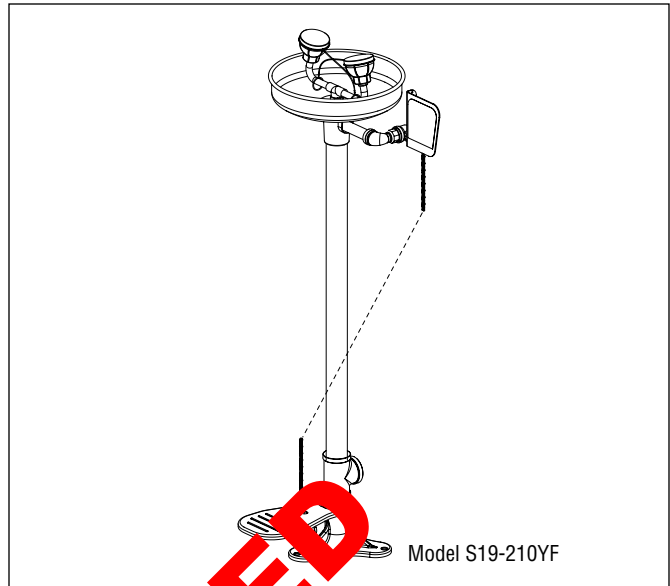
Galvanized steel and waste tee with floor flange protected with BradTect® safety yellow coating.

Waste

$\frac{1}{4}$ " drain fitting furnished.

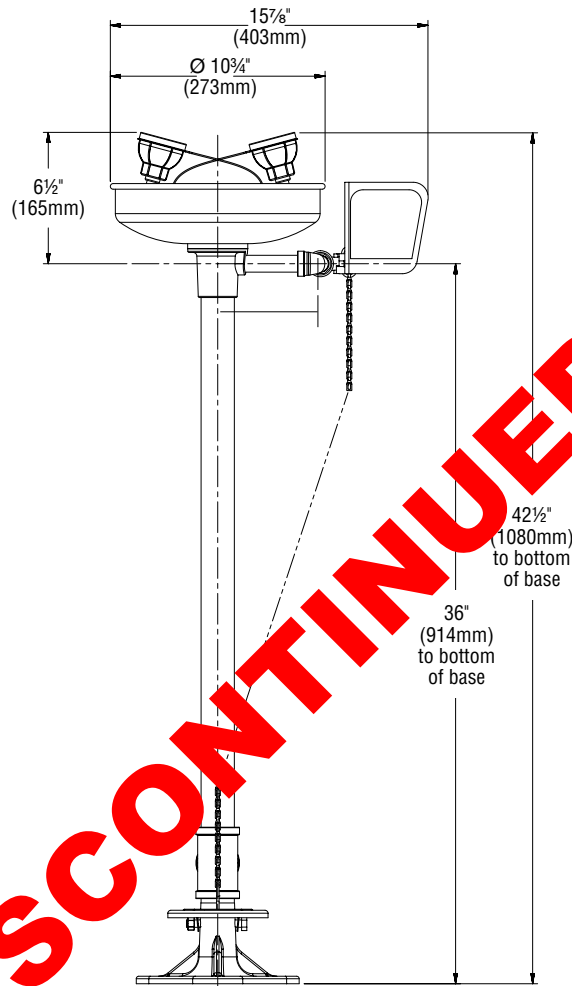
Water Supply

$\frac{1}{2}$ " NPT.



| Model | Description |
|------------------------------------|--|
| <input type="checkbox"/> S19-210YF | Pedestal-Mount Eye/Face Wash Unit with Stainless Steel Bowl, Hand or Foot Operation |
| <input type="checkbox"/> S19-210YF | Navigator EFX8 – Emergency Thermostatic Mixing Valve |





DISCONTINUED

- Local codes may require the installation of a backflow prevention valve to complete proper installation. Compliance with local codes is the responsibility of the installer. Valve must be tested annually to verify that it is functioning properly. Backflow prevention valves are not included with the fixture and may be supplied by the contractor or purchased from Bradley Corporation.*
- All dimensions assume standard thread engagement. Variations in manufacturing allow for +/- 1/8" (3mm) per threaded joint. To find the tolerance of a dimension, add the number of thread joints in between a dimension and multiply it by 1/8" (3mm).*