

Parts & Service

EFX 25/S19-2100

Thermostatic Mixing Valve with Optional Cabinet

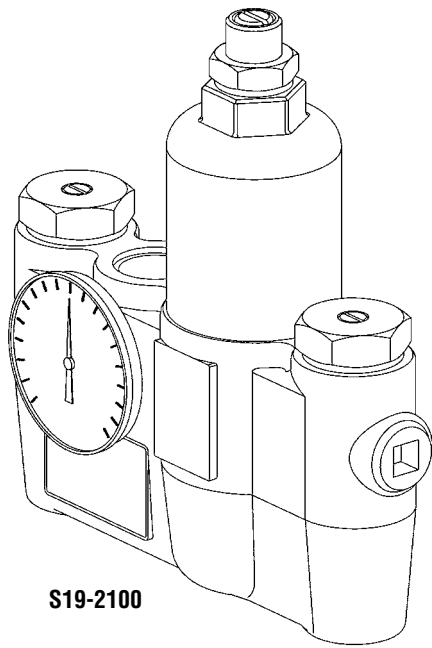
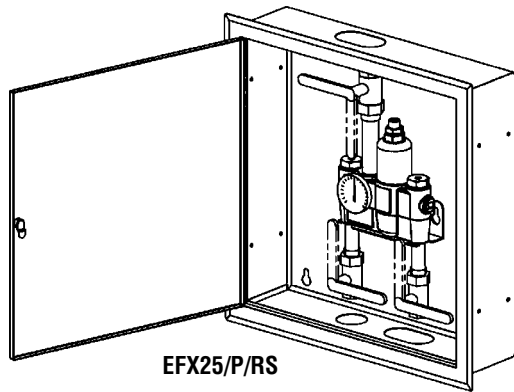
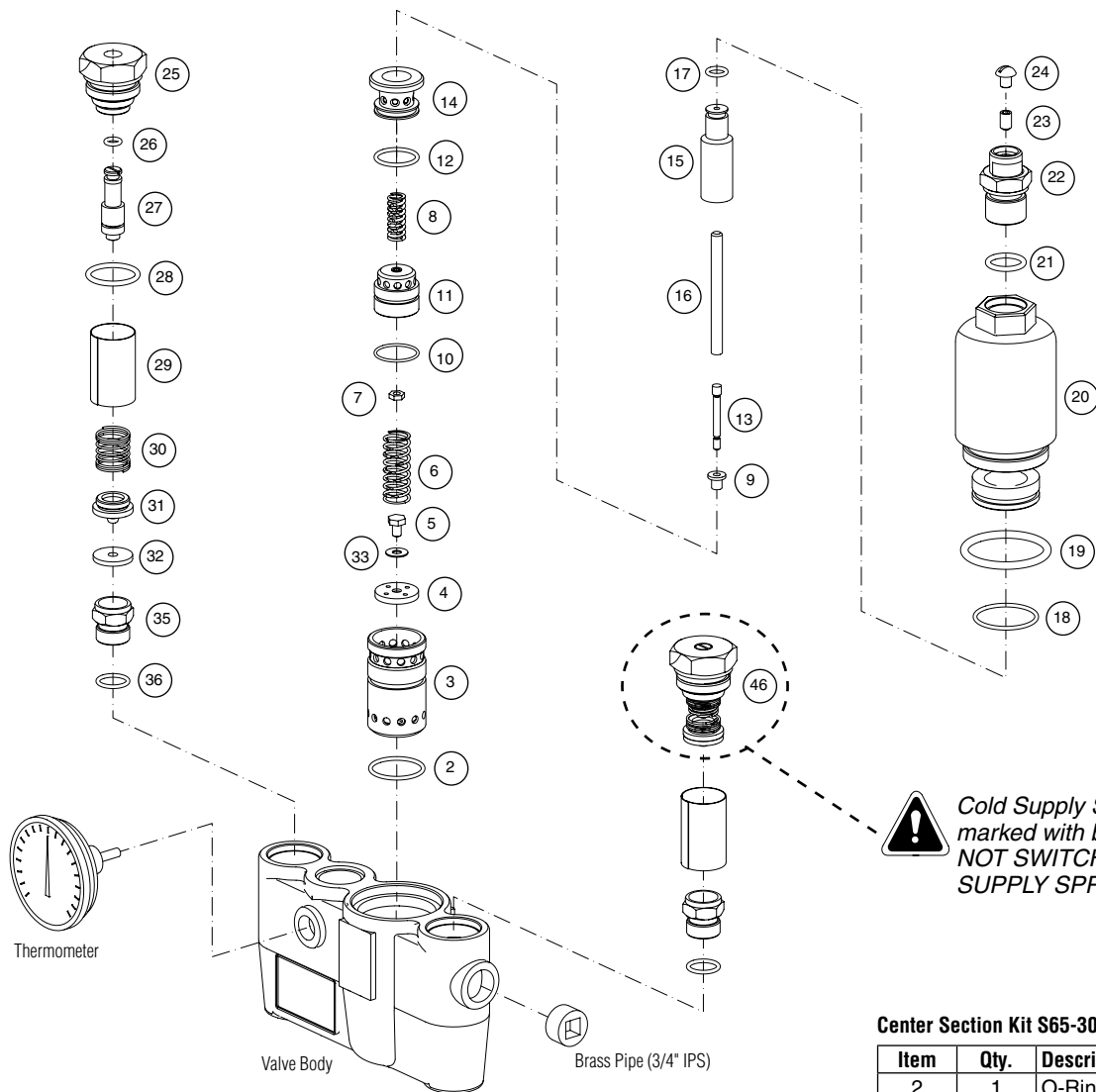


Table of Contents

Parts Breakdown - Prior to February 6, 2014	2
Parts Breakdown - February 6, 2014 to May 14, 2014	3
Parts Breakdown - After May 14, 2014	4



Parts Breakdown and Service Kits - Prior to February 6, 2014



! Cold Supply Spring is marked with blue paint. DO NOT SWITCH WITH HOT SUPPLY SPRING (30).

Thermostat Kit S65-174

Item	Qty.	Description
15	1	Thermostat
17	1	O-Ring
21	1	O-Ring

Piston & Liner Kit S65-175

Item	Qty.	Description
2	1	O-Ring
3	1	Liner
4	1	Washer
5	1	Screw
6	1	Spring
7	1	#10-24 Hex Nut
8	1	Spring
9	1	Retainer
10	1	O-Ring
11	1	Piston
12	1	O-Ring
13	1	Overheat screw
14	1	Upper Seat
33	1	Washer

Washer/Seal Kit S65-310

Item	Qty.	Description
4	1	Washer
32	2	Seal
33	1	Washer

O-Ring/Seal Kit S65-173

Item	Qty.	Description
2	1	O-Ring
17	1	O-Ring
18	1	O-Ring
19	1	O-Ring
21	1	O-Ring
26	2	O-Ring
28	2	O-Ring
32	2	Seal
36	2	O-Ring

Check/Stop Kit S65-337

Item	Qty.	Description
25	2	Cap
26	2	O-Ring
27	2	Stem
28	2	O-Ring
29	2	Strainer
30	1	Hot Supply Spring
31	2	Holder (for Seal)
32	2	Seal
35	2	Seat
36	2	O-Ring
46	1	Cold Supply Spring (Blue)

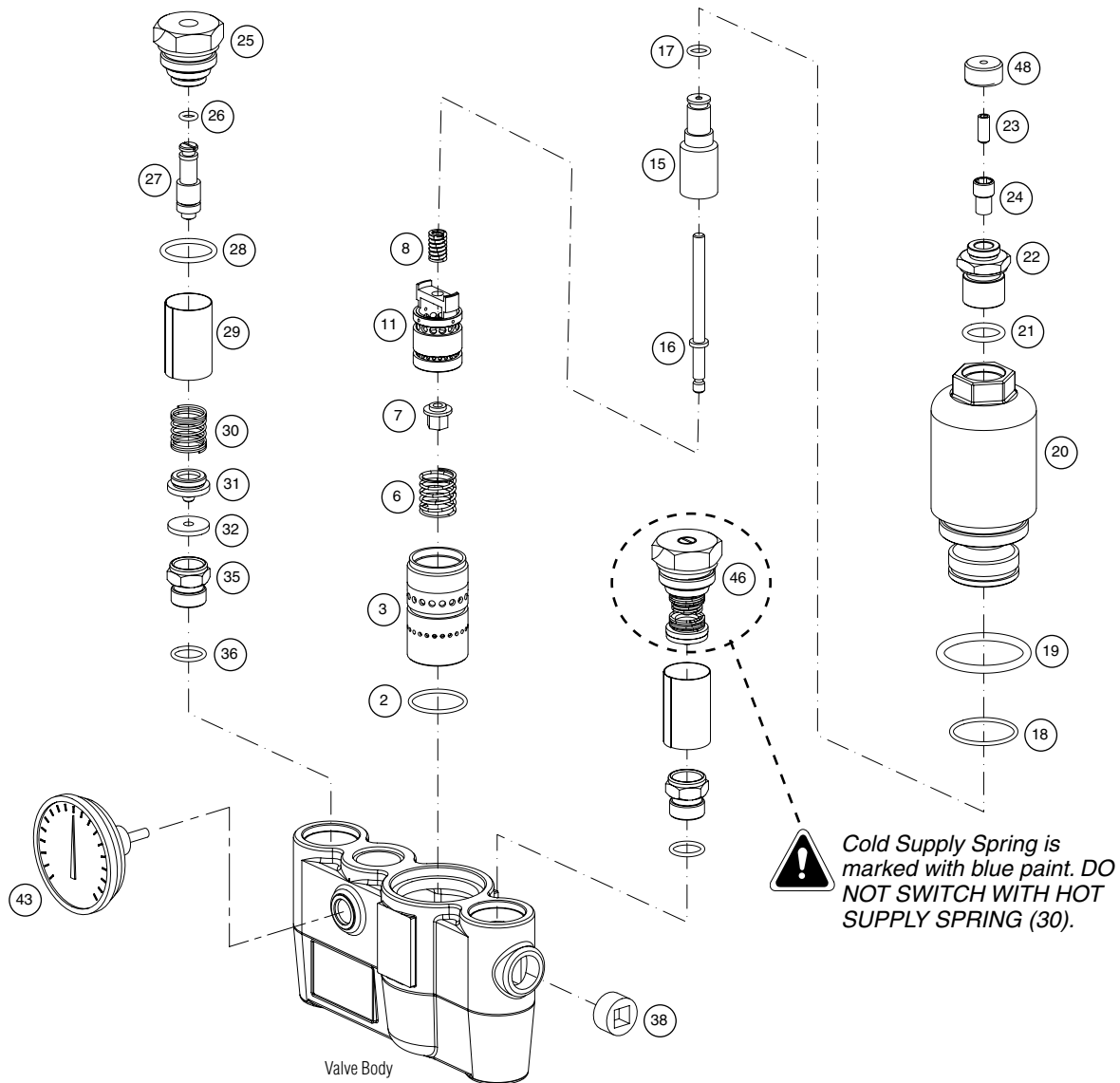
Center Section Kit S65-304

Item	Qty.	Description
2	1	O-Ring
3	1	Liner
4	1	Washer
5	1	Screw
6	1	Spring
7	1	#10-24 Hex Nut
8	1	Spring
9	1	Retainer
10	1	O-Ring
11	1	Piston
12	1	O-Ring
13	1	Overhead Screw
14	1	Upper Seat
15	1	Thermostat
16	1	Pushrod
17	1	O-Ring
18	1	O-Ring
19	1	O-Ring
20	1	Mixing Valve Cap
21	1	O-Ring
22	1	Control Cap
23	1	Set Screw
24	1	Screw
33	1	Washer



Kit numbers for rough brass finish and standard range thermostat. Contact Bradley for other configurations.

Parts Breakdown and Service Kits - Between February 6, 2014 and May 14, 2014



Kit numbers for rough brass finish and standard range thermostat. Contact Bradley for other configurations.

Thermostat Kit S65-408

Item	Qty.	Description
15	1	Thermostat
17	1	O-Ring
21	1	O-Ring

Piston & Liner Kit S65-409

Item	Qty.	Description
2	1	O-Ring
3	1	Liner
6	1	Spring
7	1	Hex Nut
8	1	Spring
11	1	Piston
16	1	Pushrod

O-Ring/Seal Kit S65-410

Item	Qty.	Description
2	1	O-Ring
17	1	O-Ring
18	1	O-Ring
19	1	O-Ring
21	1	O-Ring
26	2	O-Ring
28	2	O-Ring
32	2	Seal
36	2	O-Ring

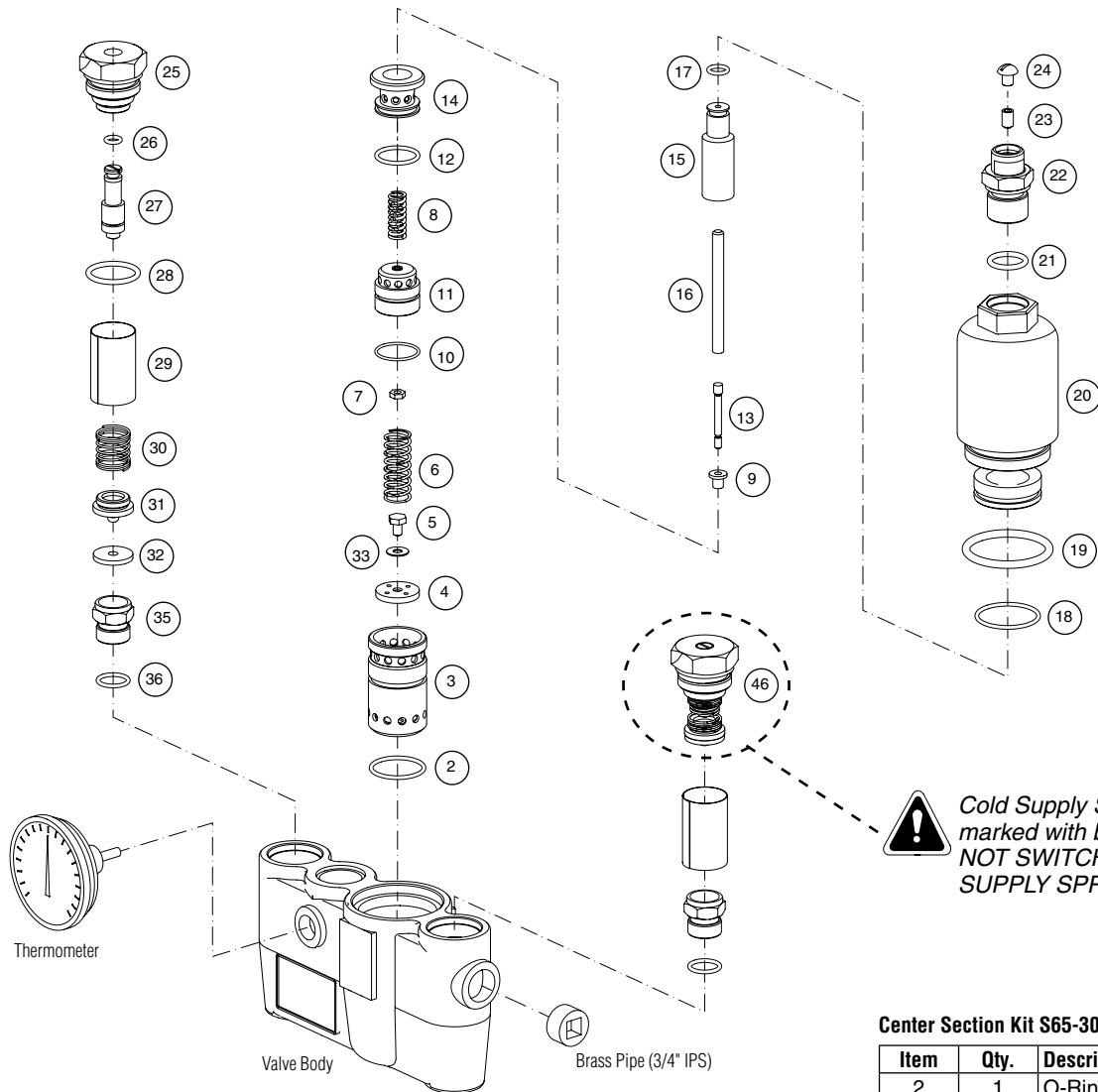
Check/Stop Kit S65-337

Item	Qty.	Description
25	2	Cap
26	2	O-Ring
27	2	Stem
28	2	O-Ring
29	2	Strainer
30	1	Hot Supply Spring
31	2	Holder (for Seal)
32	2	Seal
35	2	Seat
36	2	O-Ring
46	1	Cold Supply Spring (Blue)

Center Section Kit S65-411

Item	Qty.	Description
2	1	O-Ring
3	1	Liner
6	1	Spring
7	1	Hex Nut
8	1	Spring
11	1	Piston
15	1	Thermostat
16	1	Pushrod
17	1	O-Ring
18	1	O-Ring
19	1	O-Ring
20	1	Mixing Valve Cap
21	1	O-Ring
22	1	Control Cap
23	1	Set Screw
24	1	Screw
48	1	Limit Cover

Parts Breakdown and Service Kits - After May 14, 2014



! Cold Supply Spring is marked with blue paint. DO NOT SWITCH WITH HOT SUPPLY SPRING (30).

Center Section Kit S65-304

Item	Qty.	Description
2	1	O-Ring
3	1	Liner
4	1	Washer
5	1	Screw
6	1	Spring
7	1	#10-24 Hex Nut
8	1	Spring
9	1	Retainer
10	1	O-Ring
11	1	Piston
12	1	O-Ring
13	1	Overhead Screw
14	1	Upper Seat
15	1	Thermostat
16	1	Pushrod
17	1	O-Ring
18	1	O-Ring
19	1	O-Ring
20	1	Mixing Valve Cap
21	1	O-Ring
22	1	Control Cap
23	1	Set Screw
24	1	Screw
33	1	Washer

Thermostat Kit S65-174

Item	Qty.	Description
15	1	Thermostat
17	1	O-Ring
21	1	O-Ring



Kit numbers for rough brass finish and standard range thermostat. Contact Bradley for other configurations.

Piston & Liner Kit S65-175

Item	Qty.	Description
2	1	O-Ring
3	1	Liner
4	1	Washer
5	1	Screw
6	1	Spring
7	1	#10-24 Hex Nut
8	1	Spring
9	1	Retainer
10	1	O-Ring
11	1	Piston
12	1	O-Ring
13	1	Overheat screw
14	1	Upper Seat
33	1	Washer

Washer/Seal Kit S65-310

Item	Qty.	Description
4	1	Washer
32	2	Seal
33	1	Washer

O-Ring/Seal Kit S65-173

Item	Qty.	Description
2	1	O-Ring
17	1	O-Ring
18	1	O-Ring
19	1	O-Ring
21	1	O-Ring
26	2	O-Ring
28	2	O-Ring
32	2	Seal
36	2	O-Ring

Check/Stop Kit S65-337

Item	Qty.	Description
25	2	Cap
26	2	O-Ring
27	2	Stem
28	2	O-Ring
29	2	Strainer
30	1	Hot Supply Spring
31	2	Holder (for Seal)
32	2	Seal
35	2	Seat
36	2	O-Ring
46	1	Cold Supply Spring (Blue)