

Dialysis Box

7920 Series

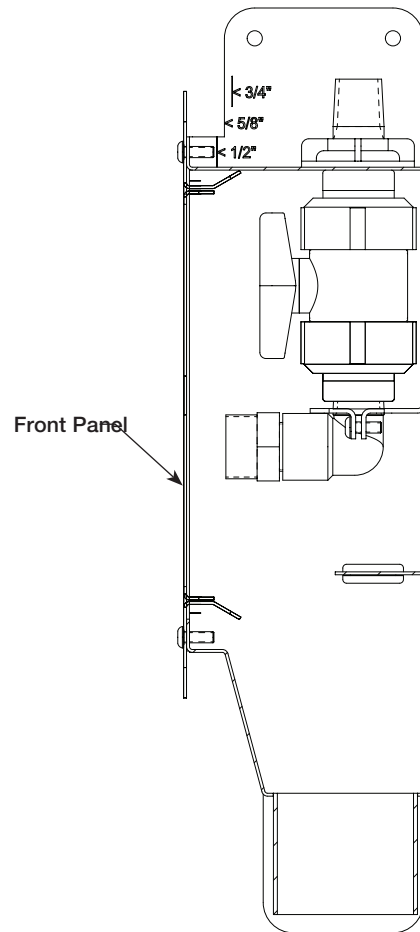
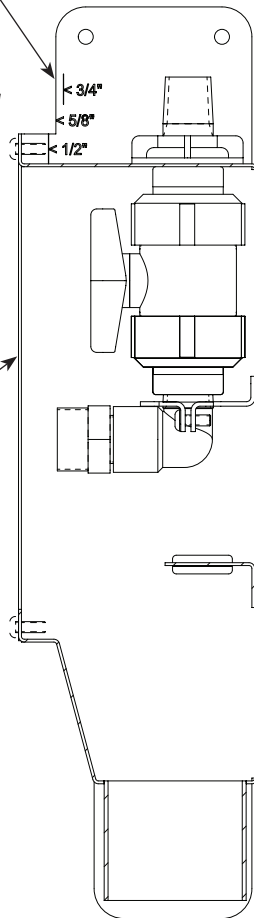
Installation

1. Find the hole location on the wall where the recessed dialysis box will be installed.
2. Remove the screws from the front panel of the dialysis box using the hex key provided. Remove the front panel and set the panel, screws and hex key aside.
3. For 5/8" drywall align TOP mounting tabs so that they are flush with the mounting studs. Secure the box to the stud at all four tabs using installer supplied hardware.
 - For all finished wall thicknesses, mount the FRONT face of the box FLUSH to the FINISHED wall and adjust mounting as required. Top tabs have etched markings for 1/2", 5/8" and 3/4" wall thicknesses.
4. Unit is supplied with 1/2" NPT supply inlet connection and optional 3/4" NPT x 1/2" NPT adapter (if selected). Connect the supply pipe (supplied by installer) to the supply inlet.
5. Make the 2" nominal (2-3/8" OD) drain connection.
6. Test the box for leaks.
 - Proceed with wall finish (paint, tile, etc.) before reinstalling the front panel.
7. Apply a thin bead of clear caulk (by others) to front face of box along bottom face and 1" up each side face. Reinstall the front panel to the box using the hex key. After installing the front panel, wipe away any visible caulk.

For 5/8" drywall, Mounting tabs are flush to the front edge of the stud.

- For all finished wall thicknesses, mount the FRONT face of the box FLUSH to the FINISHED wall and adjust mounting as required.

This face to be flush with finished wall surface



- Unit shown includes PVC valve option and door option. Your product options may differ.