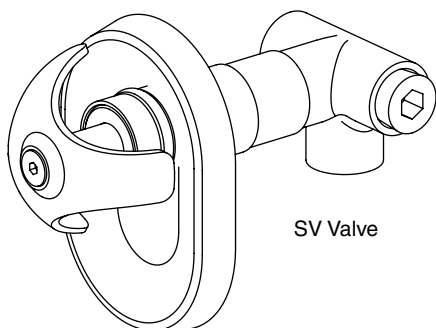
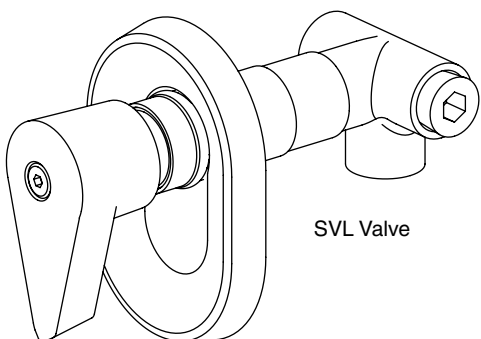


# Installation



SV Valve



SVL Valve

## ABP-1C Single Valve Ablution System

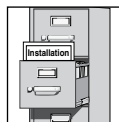
**S67-610 1C ABP Single Compression Valve (SV)**

**S67-609 1C ABP Single Compression Valve with Lever (SVL)**

### Table of Contents

Rough-Ins .....	2-3
Installation .....	4
Cleaning and Maintenance .....	5

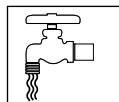
## IMPORTANT!



Read this entire installation manual to ensure proper installation. When finished with the installation, file this manual with the owner or maintenance department. Compliance and conformity to local codes and ordinances is the responsibility of the installer.



Separate parts from packaging and make sure all parts are accounted for before discarding packaging material. If any parts are missing, do not begin installation until you obtain the missing parts.

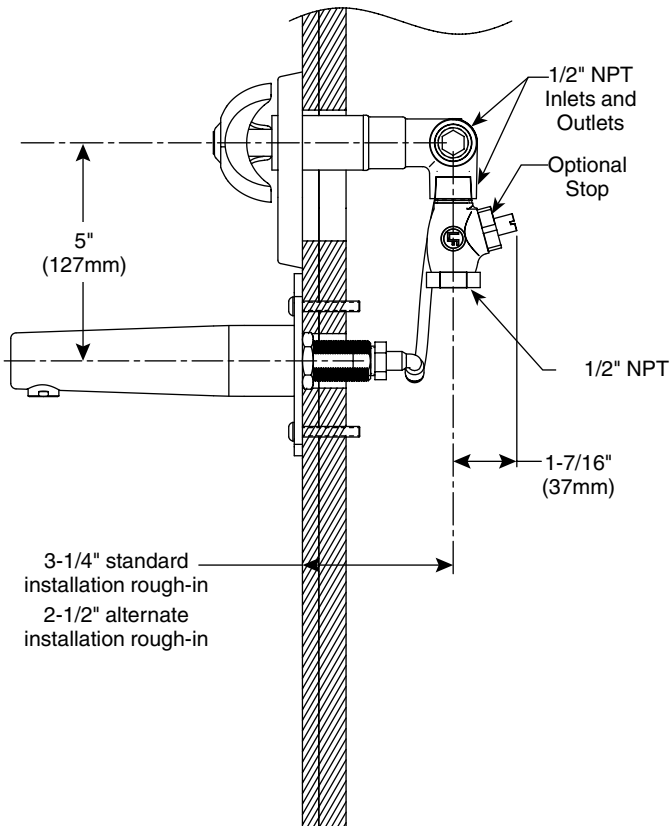


Make sure that all water supply lines have been flushed and then completely turned off before beginning installation. Debris in supply lines can cause valves to malfunction.

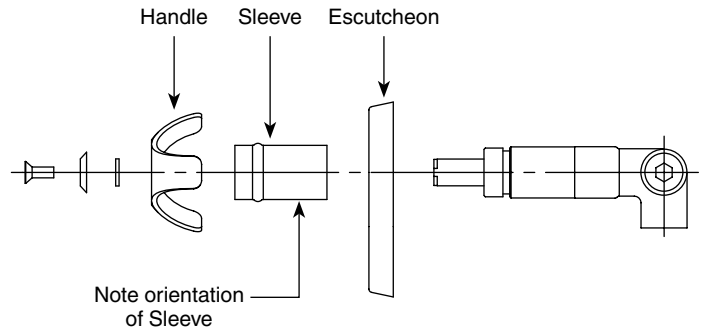


Product warranties may be found under "Products" on our web site at [www.bradleycorp.com](http://www.bradleycorp.com).

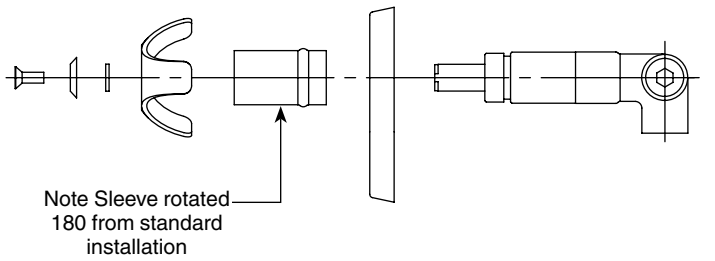
# 1a Rough-in (Single Valve - SV)



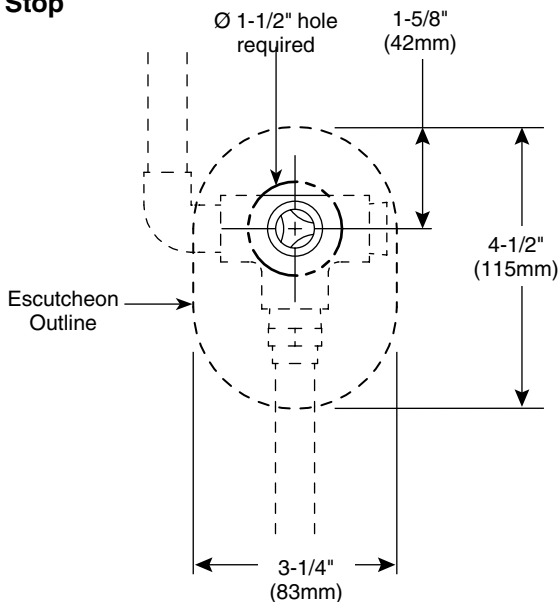
## Standard Installation



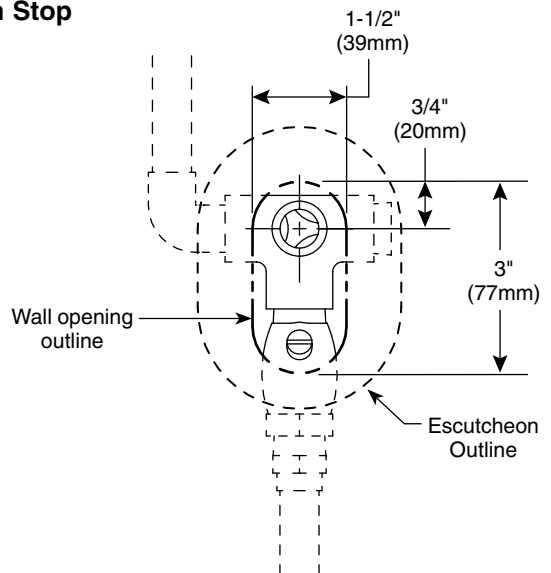
## Alternate Installation for shallow wall depth



## No Stop

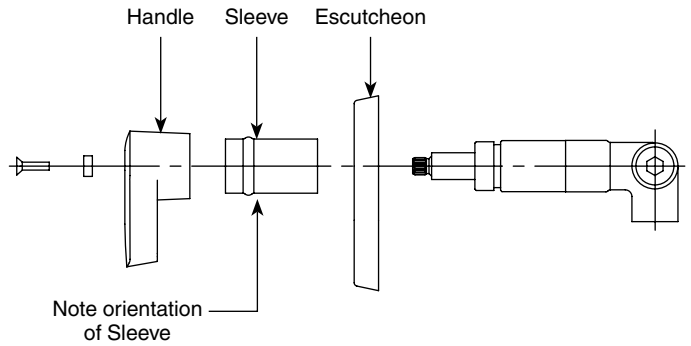


## With Stop

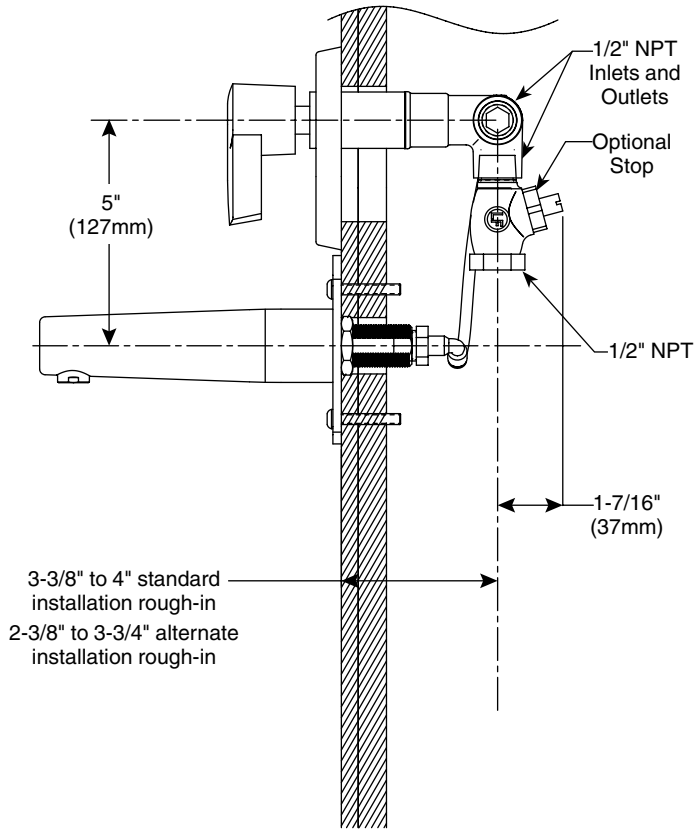
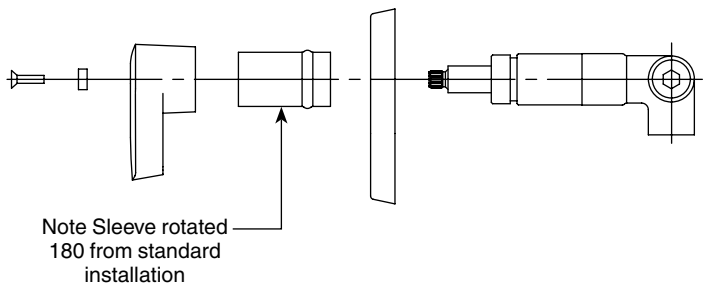


# 1b Rough-in (Single Valve with Lever Handle - SVL)

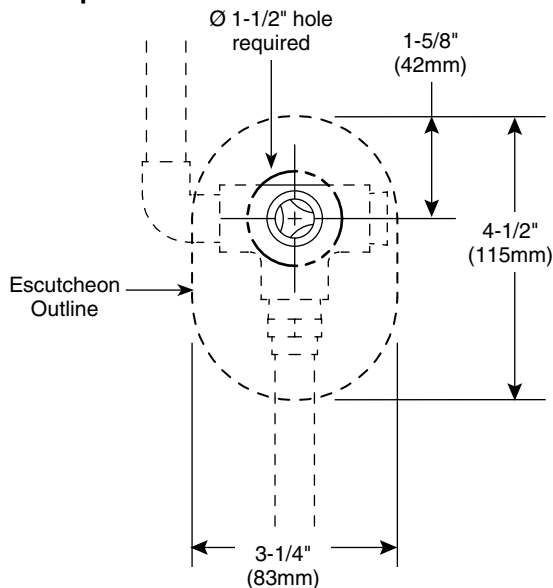
## Standard Installation



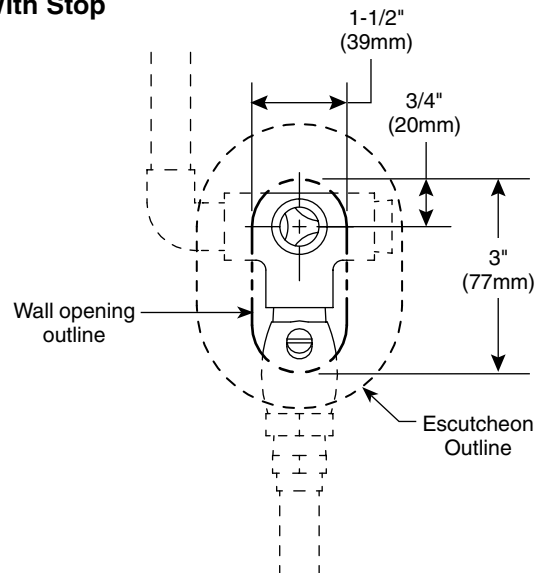
## Alternate Installation for shallow wall depth




### No Stop



### With Stop




## 2 Installation

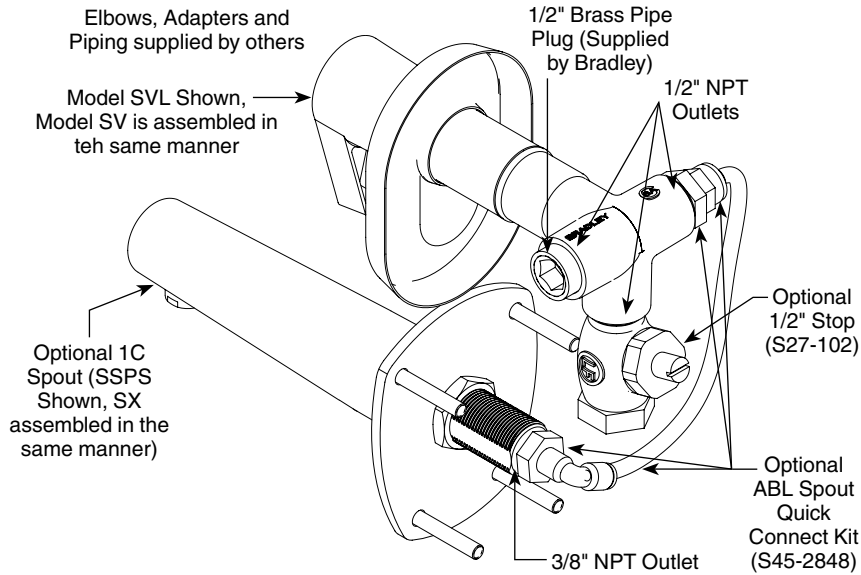
 Flush the supply line before making connection.

**A** Connect valve to supply line and spout or diverter. Valve must be held in place using rigid piping and clamp (supplied by installer).

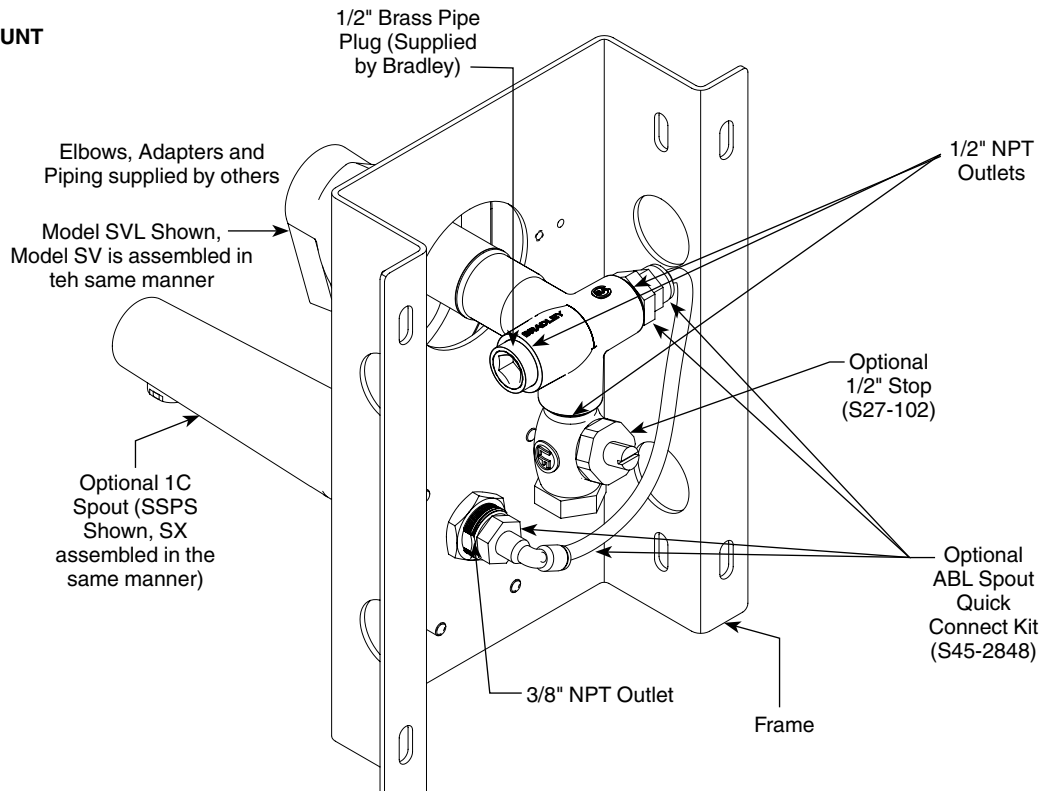
**B** Attach escutcheon, sleeve and handle to valve after wall is finished.

 For further information see operation and service guides 215-1369-2C (for SVL) and 215-1369-2D (for SV)

### FRONT MOUNT



### REAR MOUNT



## Cleaning and maintenance instructions for stainless steel

**Material Description:** Stainless steel is extremely durable, and maintenance is simple and inexpensive. Proper care, particularly under corrosive conditions, is essential. Always start with the simplest solution and work your way toward the more complicated.

**Routine cleaning:** Daily or as often as needed use a solution of warm water and soap, detergent, or ammonia. Apply the cleaning solution per the manufacturer's instructions and always use a soft cloth or sponge to avoid damaging the finish.

**Stubborn Stains:** To remove stains from stainless steel use a stainless steel cleaner and polish such as Ball® stainless steel cleaner or a soft abrasive. Always follow the manufacturer's instructions and apply in the same direction as the polish lines.

**Spout/Head:** If the spout/head delivers an uneven spray, remove the spout/head from the unit, disassemble, and remove foreign matter. Then reassemble spout/head and reinstall into unit.

**CAUTION! Never use ordinary steel wool or steel brushes on stainless steel. Always use stainless steel wool or stainless steel brushes.**

### Special Situations for Material

**Fingerprints and Smears:** To remove fingerprints or smears use a high quality stainless steel cleaner and polish in accordance with the manufacturer's instructions. Many of these products leave a protective coating that helps prevent future smears and fingerprints.

**Grease and Oil :** To remove grease and oil use a quality commercial detergent or caustic cleaner. Apply in accordance to the manufacturer's instructions and in the direction of the polish lines.

**Precautions:** Avoid prolonged contact with chlorides (bleaches, salts), bromides (sanitizing agents), thiocyanates (pesticides, photography chemicals, and some foods), and iodides on stainless steel equipment, especially if acid conditions exist.

**CAUTION! Do not permit salty solutions to evaporate and dry on stainless steel.**

The appearance of rust streaks on stainless steel leads to the belief that the stainless steel is rusting. Look for the actual source of the rust in some iron or steel particles which may be touching, but not actually a part of the stainless steel structure.

*NOTE: Strongly acidic or caustic cleaners may attack the steel, causing a reddish film to appear. The use of these cleaners should be avoided.*

**Brand Names:** Use of brand names is intended only to indicate a type of cleaner. This does not constitute an endorsement, nor does the omission of any brand name cleaner imply its inadequacy. Many products named are regional in distribution, and can be found in local supermarkets, department and hardware stores, or through your cleaning service. It is emphasized that all products should be used in strict accordance with package instructions.