

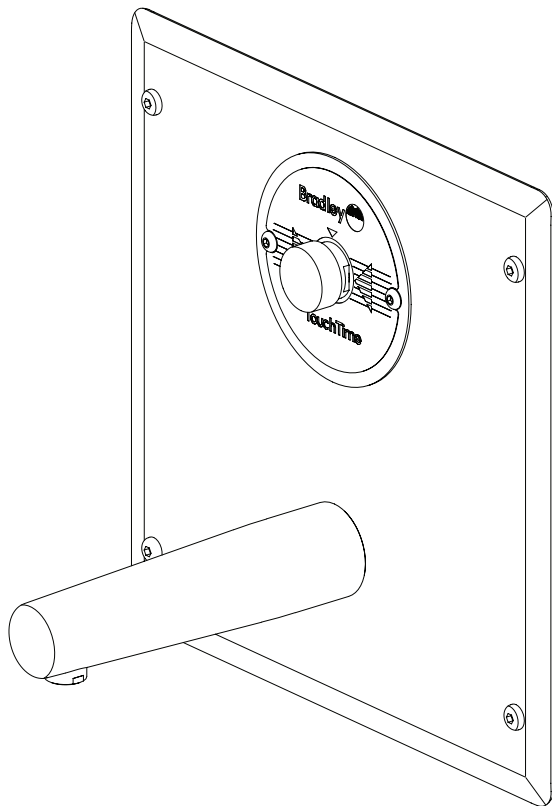
Installation

ABP-1F Flush Wall Ablution System

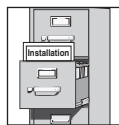
Air Metering Valve AST
TouchTime™ (TT)
Single Valve(SV & SVL)

Table of Contents

Pre-Installation Information	2
Rough-Ins	3
Installation	4
Cleaning and Maintenance	4



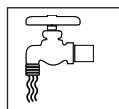
IMPORTANT!



Read this entire installation manual to ensure proper installation. When finished with the installation, file this manual with the owner or maintenance department. Compliance and conformity to local codes and ordinances is the responsibility of the installer.



Separate parts from packaging and make sure all parts are accounted for before discarding packaging material. If any parts are missing, do not begin installation until you obtain the missing parts.



Make sure that all water supply lines have been flushed and then completely turned off before beginning installation. Debris in supply lines can cause valves to malfunction.



Product warranties may be found under “Products” on our web site at www.bradleycorp.com.

Pre-Installation Information

WARNING! This ablation system may not protect the user from scalding if other temperature controlling devices in the plumbing system should fail.

Material

The ablation panel is constructed of stainless steel.

Supply Inlets

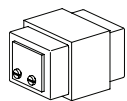
Supply inlets are 3/8" O.D. Comp (without supply stop) or 5/8" O.D. comp (with optional supply stop) flexible hose and are accessible by removing the panel from the wall.

Supplies Required

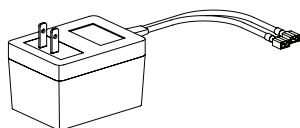


See service guides for part/troubleshooting information.

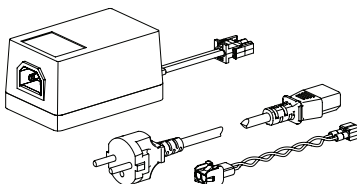
- Water supply piping to connect 3/8" O.D. Comp (without supply stop) or 5/8" O.D. comp (with optional supply stop) flexible hoses
- 1/2"-20 wall anchors to mount ablation panel to wall
- 110/230 VAC power source for 24 VAC Class II transformer (for TouchTime™ models only)
- 24 VAC Class II transformer, available from Bradley (for TouchTime™ models only)



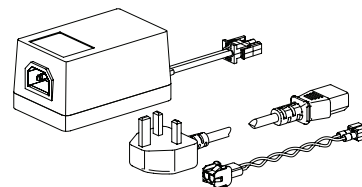
PRPK Transformer
269-645 4RT



PPK ABL Transformer
US (TYPE A)
S83-134 1RT

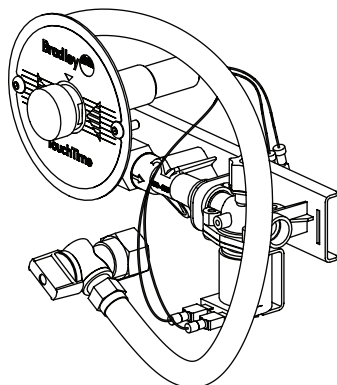


PPK ABL Transformer
EU (TYPE F)
918-304 1RT

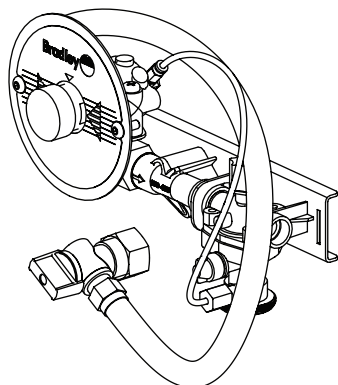


PPK ABL Transformer
UK (TYPE G)
918-303 1RT

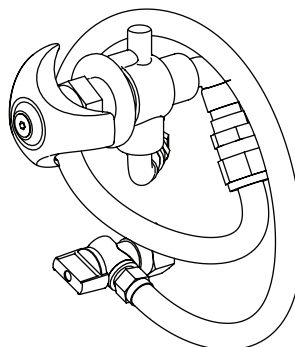
Valve Options



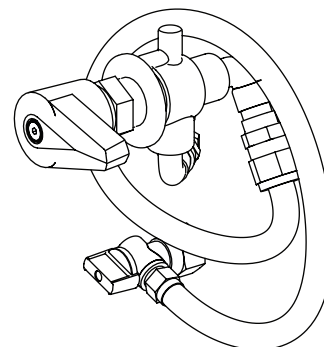
TouchTime (TT)



Air Metering Valve (AST)





Single Valve (SV)




Single Valve Lever
Handle (SVL)

1 Rough-in (as viewed from front)

 Flush supply lines before making connections.

 Refer to the product dimensions and images for suggested tempered supply line rough-in location.

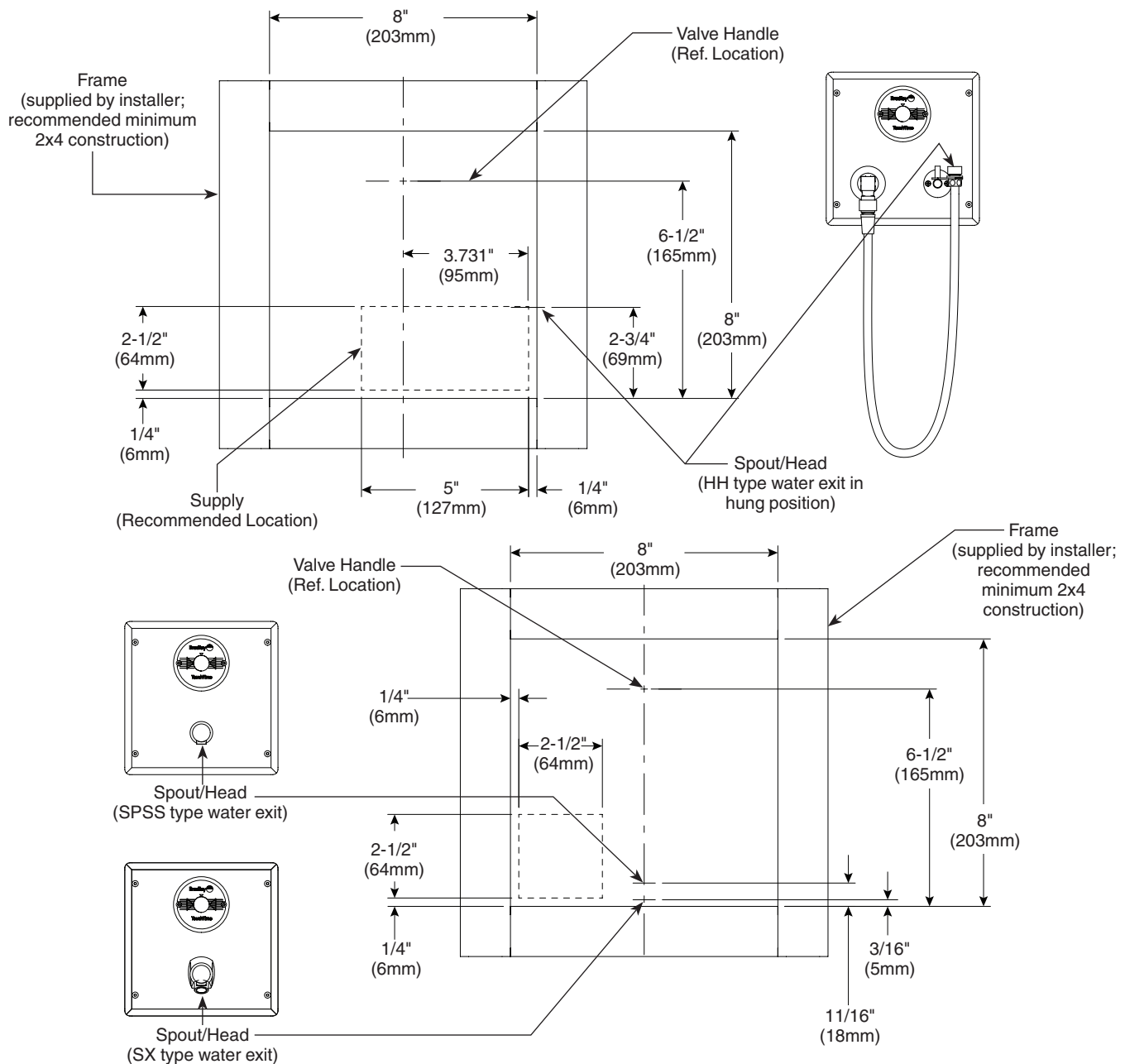
 Supply inlets are 3/8" O.D. Comp (without supply stop) or 5/8" O.D. comp (with optional supply stop) flexible hose and are accessible by removing the abluion panel from the wall.

8" X 8" (203 X 203mm) opening required

Recommended Ablution System Height (Finished floor to spout/head)

Type	Height
Ablution with seat	29" (740mm)
Ablution without seat	37" (940mm)
Ablution with Lavatory	59" (1499mm)

A Rough-in the wall opening and supply piping as required for your installation.



2 Install Ablution Panel

A Position the ablation panel flush and level on the wall, then mark the screw hole locations.

B Install the (4) wall anchors (supplied by installer) for 1/4"-20 hex socket screws in the screw hole locations.



Flush supply lines before making connections.

C Connect the 3/8" O.D. comp (without supply stop) or 5/8" O.D. comp (with optional supply stop) hose/stop to supply piping.



Supplies are brought in through the wall in back of the ablation system.

D If installing a 1F ablation panel with TouchTime, refer to installation sheet 215-925 for electrical connections.

E Turn stops to the open position, turn on water supply, then inspect the system to make sure there are no leaks.

F Mount the panel to the wall using the 1/4"-20 x 3/4" hex socket screws supplied.

Cleaning and maintenance instructions for stainless steel

Material Description: Stainless steel is extremely durable, and maintenance is simple and inexpensive. Proper care, particularly under corrosive conditions, is essential. Always start with the simplest solution and work your way toward the more complicated.

Routine cleaning: Daily or as often as needed use a solution of warm water and soap, detergent, or ammonia. Apply the cleaning solution per the manufacturer's instructions and always use a soft cloth or sponge to avoid damaging the finish.

Stubborn Stains: To remove stains from stainless steel use a stainless steel cleaner and polish such as Ball® stainless steel cleaner or a soft abrasive. Always follow the manufacturer's instructions and apply in the same direction as the polish lines.

CAUTION! Never use ordinary steel wool or steel brushes on stainless steel. Always use stainless steel wool or stainless steel brushes.

Special Situations for Material

Fingerprints and Smears: To remove fingerprints or smears use a high quality stainless steel cleaner and polish in accordance with the manufacturer's instructions. Many of these products leave a protective coating that helps prevent future smears and fingerprints.

Grease and Oil : To remove grease and oil use a quality commercial detergent or caustic cleaner. Apply in accordance to the manufacturer's instructions and in the direction of the polish lines.

Precautions: Avoid prolonged contact with chlorides (bleaches, salts), bromides (sanitizing agents), thiocyanates (pesticides, photography chemicals, and some foods), and iodides on stainless steel equipment, especially if acid conditions exist.

CAUTION! Do not permit salty solutions to evaporate and dry on stainless steel.

The appearance of rust streaks on stainless steel leads to the belief that the stainless steel is rusting. Look for the actual source of the rust in some iron or steel particles which may be touching, but not actually a part of the stainless steel structure.

NOTE: Strongly acidic or caustic cleaners may attack the steel, causing a reddish film to appear. The use of these cleaners should be avoided.

Brand Names: Use of brand names is intended only to indicate a type of cleaner. This does not constitute an endorsement, nor does the omission of any brand name cleaner imply its inadequacy. Many products named are regional in distribution, and can be found in local supermarkets, department and hardware stores, or through your cleaning service. It is emphasized that all products should be used in strict accordance with package instructions.