

Installation

ABP-1C AST Air Metering Ablution System

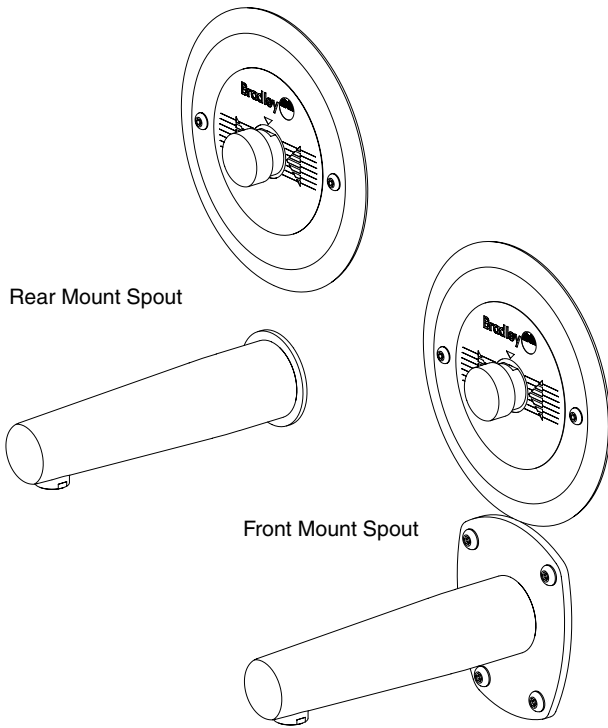
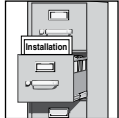


Table of Contents

Pre-Installation Information	2
Rough-Ins	2-3
Installation	4
Cleaning and Maintenance	5

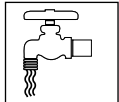
IMPORTANT!



Read this entire installation manual to ensure proper installation. When finished with the installation, file this manual with the owner or maintenance department. Compliance and conformity to local codes and ordinances is the responsibility of the installer.



Separate parts from packaging and make sure all parts are accounted for before discarding packaging material. If any parts are missing, do not begin installation until you obtain the missing parts.



Make sure that all water supply lines have been flushed and then completely turned off before beginning installation. Debris in supply lines can cause valves to malfunction.



Product warranties may be found under “Products” on our web site at www.bradleycorp.com.

Pre-Installation Information

The ABP-1C AST controls water flow through the use of pneumatic metering. When the push button is released, the valve is activated, which then delivers water to the fixture for a preset length of time. Bradley 1C AST can be installed at any height (see recommended heights below).

Recommended Heights

Bradley ABP-1C TT can be installed at any height (see recommended height chart to the right).



The heights listed are measured from finish floor to spout/head centerline.

Recommended Ablution System Heights	
Ablution Types	Floor to Spout/Head Centerline Height
Ablution w/ seat	74cm (29 in)
Ablution w/ lavatory	94cm (37 in)
Ablution no seat	150cm (59 in)

Components

Material: All exposed parts are stainless steel or polished chrome-plated brass.

Supply Inlet: The supply inlet to the metering valve is 3/8" O.D. Comp (without supply stop) or 5/8" O.D. comp (with optional supply stop)

Supplies Required

- 1/2" NPT piping, 1/2" NPT tempered water supply piping and 3/8 compression to 1/2 NPT adapter (required on models without optional supply stop)
- (4) 1/4"-20 wall anchors for spout/head
- (2) #10 wall anchors for pushbutton assembly
- (2) #10 fasteners for attaching valve block to interior of wall.
- Teflon tape or teflon pipe dope

1 Rough-in



Refer to recommended ablution system heights shown above and rough-in images shown on page 3.

A

Rough-in tempered water supply piping to the valve and spout/head as required for your installation.

C

Install (2) #10 wall anchors (supplied by installer) to secure pushbutton assembly.

B

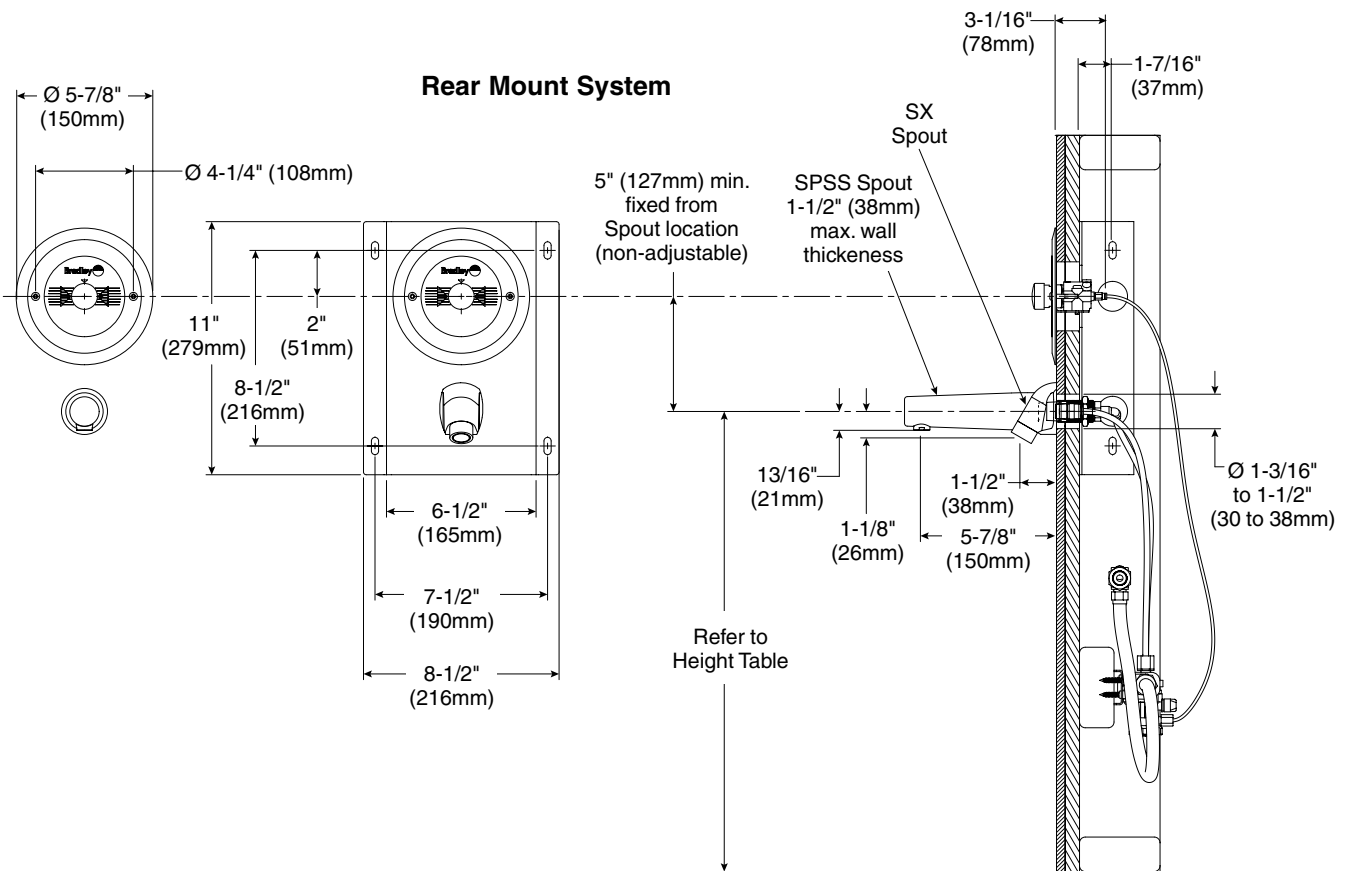
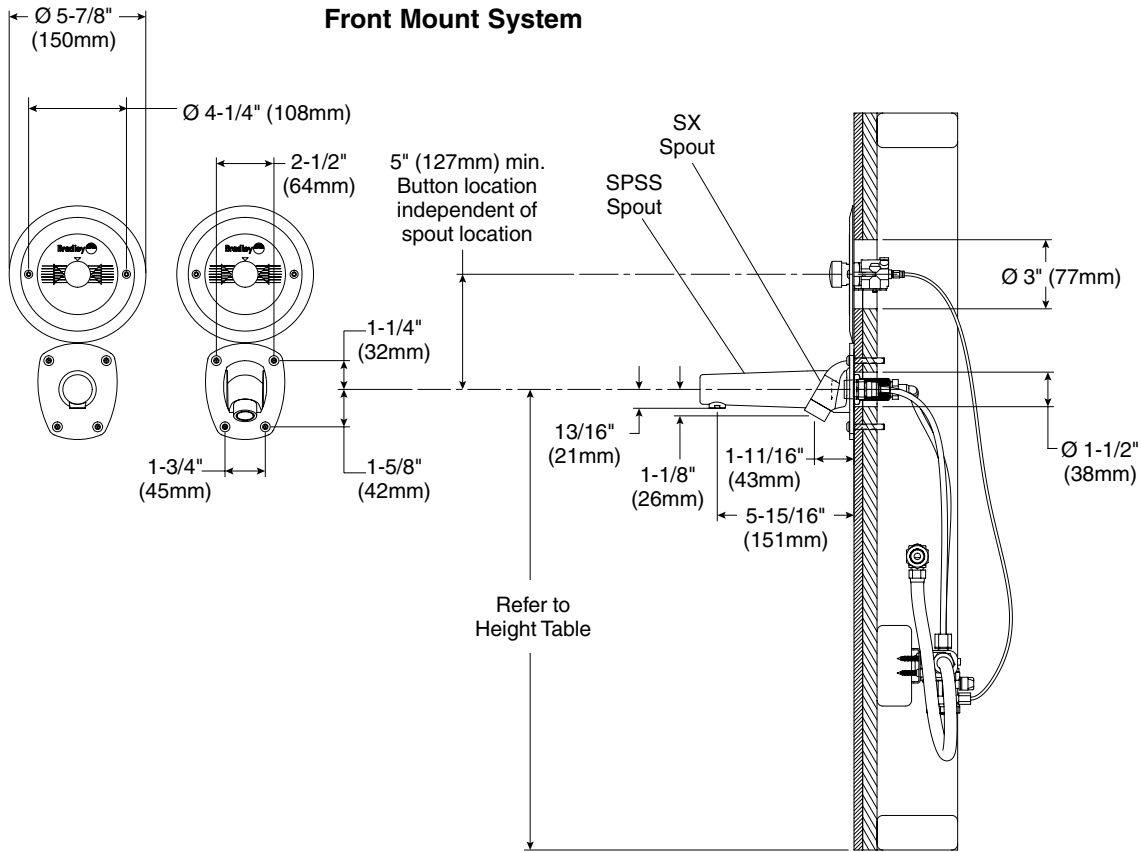
Rough-in wall openings for the spout/head and pushbutton as required for your installation.

D

Install (2) #10 screws (supplied by installer) to secure valve assembly to interior studs/wall.

E

Front mount units only: Install the supplied mounting bracket. (See rough-in dimensions for proper placement)



2 Installation

Front mount units: Secure the spout/head to the (4) 1/4"-20 wall anchors (supplied by installer) using the screws provided.

A Rear mount systems with SPSS spout: Install and tighten nut.

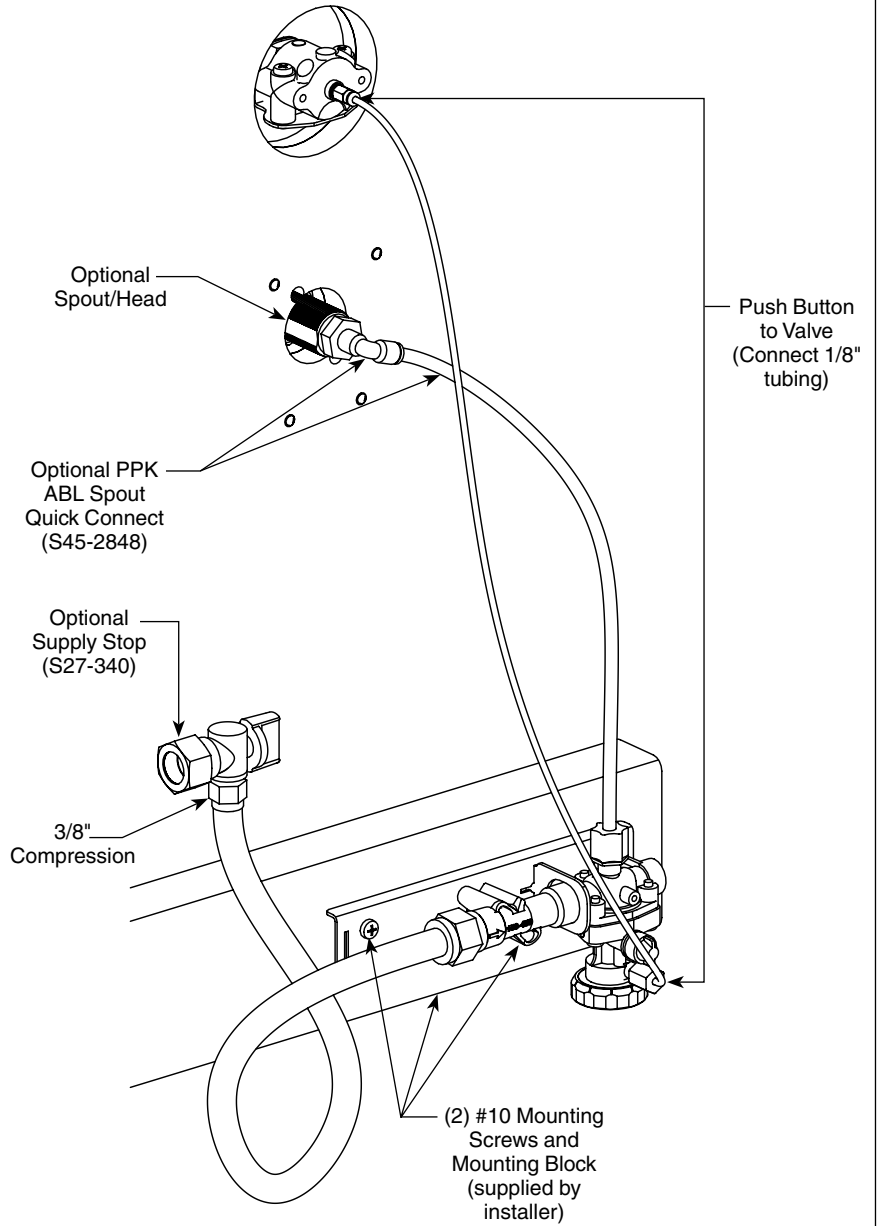
Rear mount system with SX spout: Install and tighten (2) 1/4"-20 fasteners (supplied by installer).

B Secure the push button to the wall anchors using the (2) #10 screws provided.

C Connect the spout/head to valve (optional ABL spout quick connect kit (S45-2848)

D Connect 3/8" comp end hose or optional supply stop to supply.

E Turn on the water supply to the ablution and check for leaks.



Cleaning and maintenance instructions for stainless steel

Material Description: Stainless steel is extremely durable, and maintenance is simple and inexpensive. Proper care, particularly under corrosive conditions, is essential. Always start with the simplest solution and work your way toward the more complicated.

Routine cleaning: Daily or as often as needed use a solution of warm water and soap, detergent, or ammonia. Apply the cleaning solution per the manufacturer's instructions and always use a soft cloth or sponge to avoid damaging the finish.

Stubborn Stains: To remove stains from stainless steel use a stainless steel cleaner and polish such as Ball® stainless steel cleaner or a soft abrasive. Always follow the manufacturer's instructions and apply in the same direction as the polish lines.

Spout/Head: If the spout/head delivers an uneven spray, remove the spout/head from the unit, disassemble, and remove foreign matter. Then reassemble spout/head and reinstall into unit.

CAUTION! Never use ordinary steel wool or steel brushes on stainless steel. Always use stainless steel wool or stainless steel brushes.

Special Situations for Material

Fingerprints and Smears: To remove fingerprints or smears use a high quality stainless steel cleaner and polish in accordance with the manufacturer's instructions. Many of these products leave a protective coating that helps prevent future smears and fingerprints.

Grease and Oil : To remove grease and oil use a quality commercial detergent or caustic cleaner. Apply in accordance to the manufacturer's instructions and in the direction of the polish lines.

Precautions: Avoid prolonged contact with chlorides (bleaches, salts), bromides (sanitizing agents), thiocyanates (pesticides, photography chemicals, and some foods), and iodides on stainless steel equipment, especially if acid conditions exist.

CAUTION! Do not permit salty solutions to evaporate and dry on stainless steel.

The appearance of rust streaks on stainless steel leads to the belief that the stainless steel is rusting. Look for the actual source of the rust in some iron or steel particles which may be touching, but not actually a part of the stainless steel structure.

NOTE: Strongly acidic or caustic cleaners may attack the steel, causing a reddish film to appear. The use of these cleaners should be avoided.

Brand Names: Use of brand names is intended only to indicate a type of cleaner. This does not constitute an endorsement, nor does the omission of any brand name cleaner imply its inadequacy. Many products named are regional in distribution, and can be found in local supermarkets, department and hardware stores, or through your cleaning service. It is emphasized that all products should be used in strict accordance with package instructions.