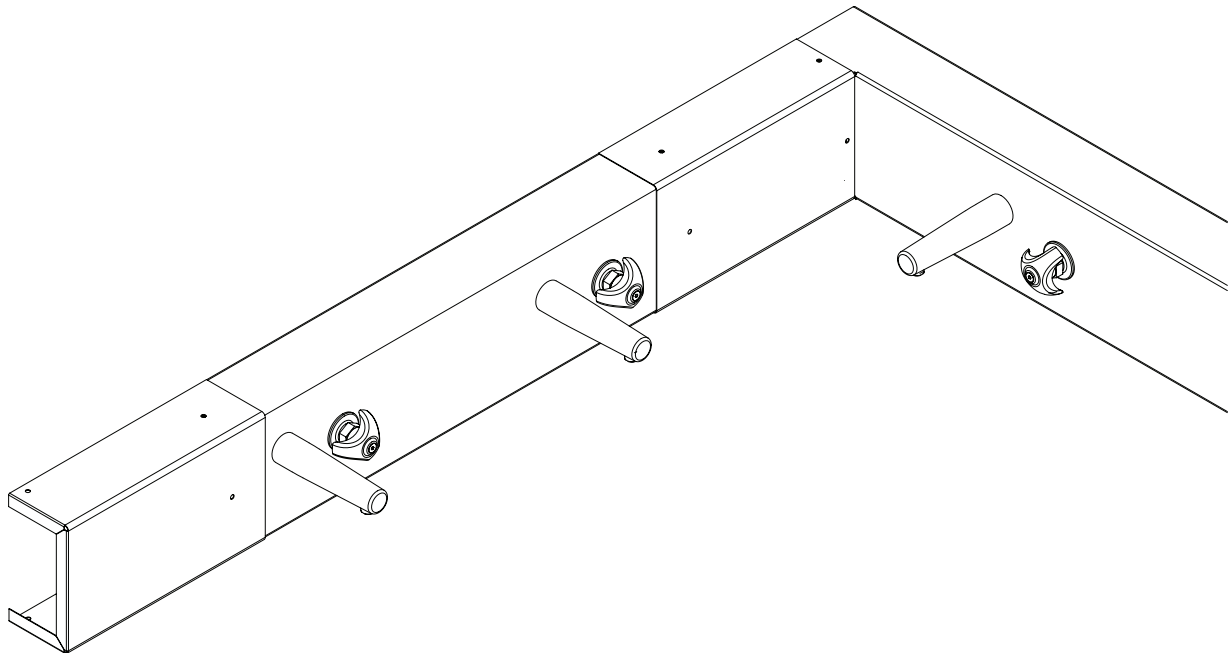


Installation

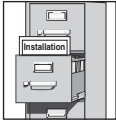
Bradley Panelon® Wall Mounted Ablution System

Table of Contents

Pre-Installation Information	2
Rough-in	3
Installation	4
Cleaning and Maintenance	5



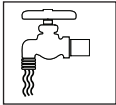
IMPORTANT!



Read this entire installation manual to ensure proper installation. When finished with the installation, file this manual with the owner or maintenance department. Compliance and conformity to local codes and ordinances is the responsibility of the installer.



Separate parts from packaging and make sure all parts are accounted for before discarding packaging material. If any parts are missing, do not begin installation until you obtain the missing parts.



Make sure that all water supply lines have been completely turned off before beginning installation.



Product warranties may be found under "Products" on our website at www.bradleycorp.com.

Pre-Installation Information

Supplies Required:

- Water supply inlets
- Wall/floor/ceiling anchors and 6mm diameter screws for mounting wall bracket(s)
- Shims if necessary
- Teflon pipe tape or pipe dope

Tools Recommended:

- Tools needed to install wall/floor anchors and fasten 6mm diameter screws
- Tools needed to connect water supply(s)
- Allen wrench (5/32")
- Tape measure and level

About Your Bradley Panelon Unit

You have made a smart economical choice by purchasing a Bradley Panelon Unit. Your Panelon units have been custom fabricated for your room layout. Panelons are constructed of heavy gauge stainless steel and are vandal-resistant. Panelons can be mounted at any height (see chart for recommended heights).

Installation is fast and easy. All Panelon units are factory assembled and pre-piped, tested for proper operation, and ready for connection to plumbing supplies.

Recommended Panel Heights	
Ablution Types	Floor to Spout Height
Ablution w/ seat	74cm (29 in)
Ablution w/ Lavatory	150cm (59 in)
Ablution no seat	94cm (37 in)

(Finished floor to spout tip)

Components

Material: Panelon units are constructed of Type 304 stainless steel. All panels are 16 gauge. All exposed parts are either No. 4 finish stainless steel or chrome-plated brass.

Supply Inlet: Supply inlets are male copper tube sized as follows:

- 1–4 Heads = 3/4" NCT Diameter
- 5–8 Heads = 1" NCT Diameter
- 9–12 Heads = 1-1/4" NCT Diameter
- 12+ Heads = 1-1/2" NCT Diameter

Solenoid Valve: Solenoid valves have few moving parts making them less prone to mechanical failure.

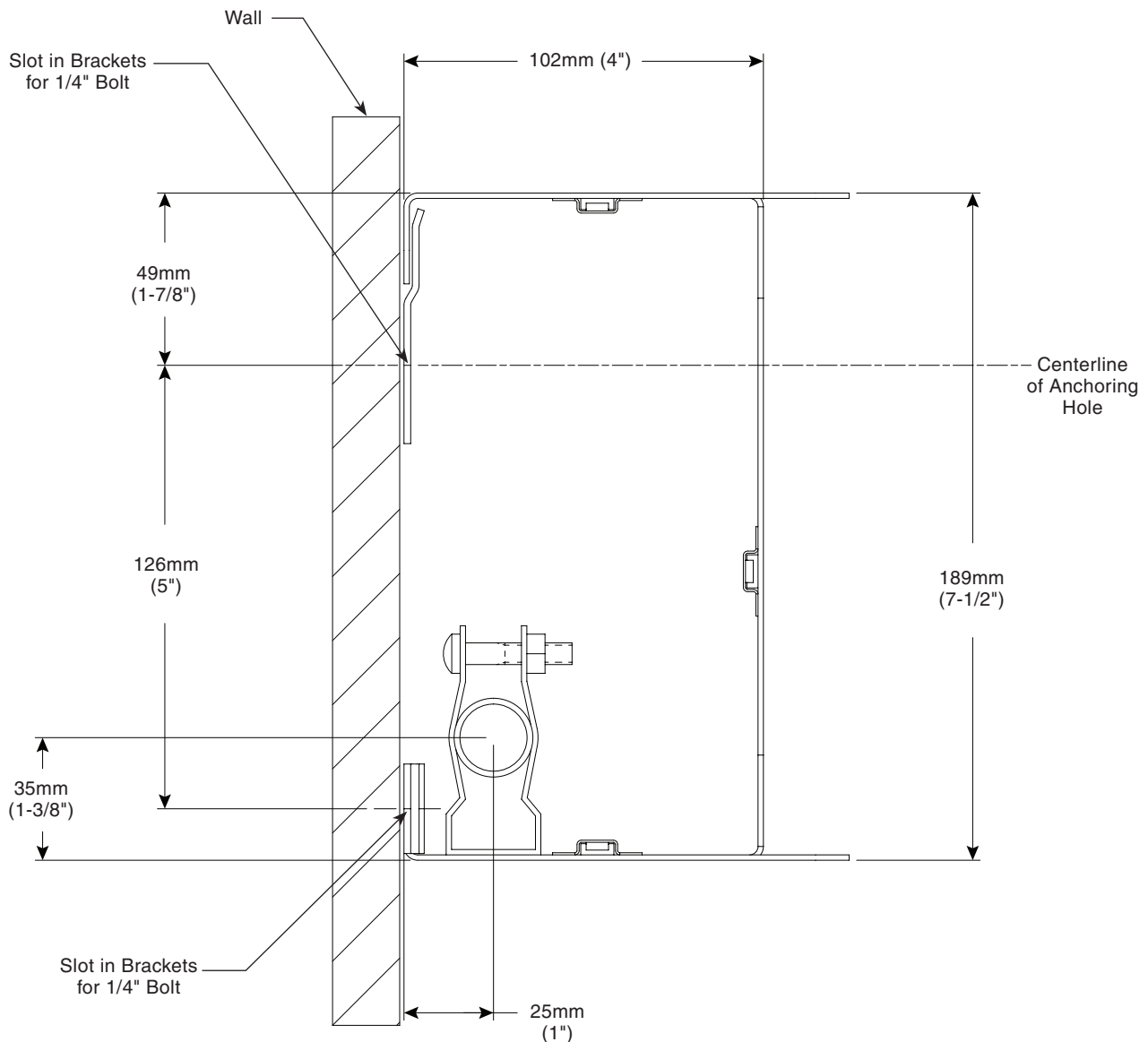
1 Rough-Ins

NOTE: Carefully check plans and/or specifications to determine spout tip height specification.

A Measure up from the finished floor to locate the top of panelon panel. Measure down 49mm (1-7/8") scribe a horizontal line on the wall indicating the centerline of the anchoring hole for the top wall brackets.

C Use the room layout drawing (identified by a PA number) for proper panel number and location. Select a panel and position the panel on the wall. Scribe a vertical line at the upper edge at both ends of the panel.

B Measure down 93mm (3-5/8") from the centerline of the anchor holes and scribe a horizontal centerline for the lower wall brackets.



2 Installation

Locate and secure the 457mm (18") long wall bracket to the wall according to the following procedure, locating from the vertical lines scribed in Step 1C.

Panels Under 1016mm (40") in Length: Use one bracket per panel. Center panels between the scribed lines.

A Panels Between 1016mm (40") and 2032mm (80") in Length: Use two brackets per panel. Locate one bracket 254mm (10") from each scribed line to the center of the bracket.

Panels Between 2032mm (80") and 3048mm (120") in Length: Use three brackets per panel. Center one bracket between the scribed lines and one bracket 254mm (10") from each scribed line to the center of the bracket.

B On scribed line for lower bracket from Step 1B, install two anchors for each panel section, approximately 38mm (1-1/2") in from outer edges of panel.

C Hang a panel on the wall bracket(s), position the panel between the scribed lines from Step 1C and secure the lower brackets.

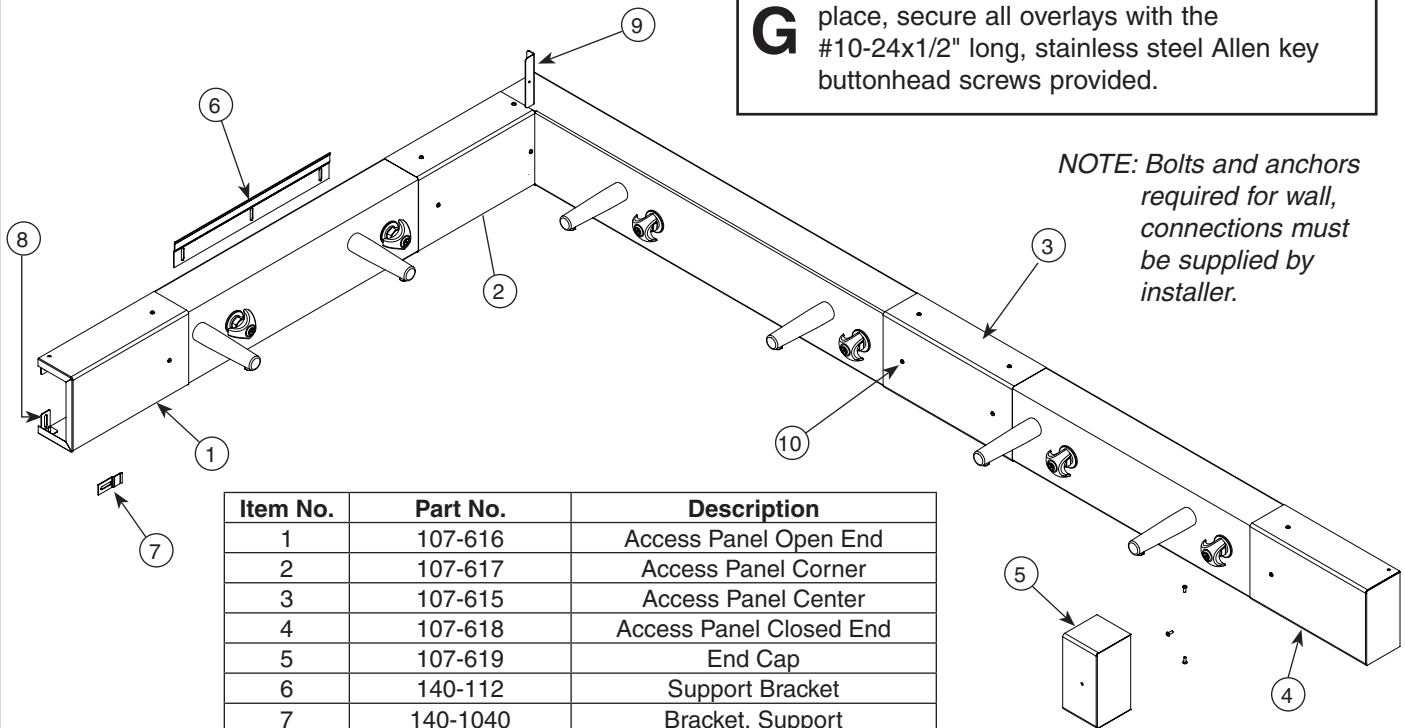
D Repeat steps 1B-C and Steps 2A-C for each panel.

E Make necessary supply connections at access panels and/or corners to inlet supply stubs (fittings supplied by installer).

NOTE: When a straight run exceeds 6m (20') in length, a slip type coupling or an expansion joint is recommended to allow for contraction and expansion. Also, union connections are recommended at access panels, corners, and supply inlets.

F Locate and secure support clips as shown below. Align the top of the clip with the upper and lower surfaces of the access panel.

G With the access panels, ends, and corners in place, secure all overlays with the #10-24x1/2" long, stainless steel Allen key buttonhead screws provided.



Item No.	Part No.	Description
1	107-616	Access Panel Open End
2	107-617	Access Panel Corner
3	107-615	Access Panel Center
4	107-618	Access Panel Closed End
5	107-619	End Cap
6	140-112	Support Bracket
7	140-1040	Bracket, Support
8	140-113	Bracket, Access Panel Support
9	140-1056	Bracket, Corner Ablution
10	160-138	Screw, 10-24 x 1/2" Button

Cleaning Stainless Steel

Material Description: Stainless steel is extremely durable, and maintenance is simple and inexpensive. Proper care, particularly under corrosive conditions, is essential. Always start with the simplest solution and work your way toward the more complicated.

Routine cleaning: Daily or as often as needed use a solution of warm water and soap, detergent, or ammonia. Apply the cleaning solution per the manufactures instructions and always use a soft cloth or sponge to avoid damaging the finish.

Stubborn Stains: To remove stains from stainless steel use a stainless steel cleaner and polish such as Ball® stainless steel cleaner or a soft abrasive. Always follow the manufactures instructions and apply in the same direction as the polish lines.

IMPORTANT: Never use ordinary steel wool or steel brushes on stainless steel. Always use stainless steel wool or stainless steel brushes.

Spout cleaning: If the spout delivers an uneven spray, remove the spout from the unit, disassemble, and remove foreign matter. Then reassemble spout and reinstall into unit.

Special Situations for Material

Fingerprints and Smears: To remove fingerprints or smears use a high quality stainless steel cleaner and polish in accordance with the manufactures instructions. Many of these products leave a protective coating the helps prevent future smears and fingerprints.

Grease and Oil: To remove grease and oil use a quality commercial detergent or caustic cleaner. Apply in accordance to the manufactures instructions and in the direction of the polish lines.

Precautions: Avoid prolonged contact with chlorides (bleaches, salts), bromides (sanitizing agents), thiocyanates (pesticides, photography chemicals, and some foods), and iodides on stainless steel equipment, especially if acid conditions exist.

IMPORTANT: Do not permit salty solutions to dry and evaporate on stainless steel.

The appearance of rust streaks on stainless steel leads to the belief that the stainless steel is rusting. Look for the actual source of the rust in some iron or steel particles which may be touching, but not actually a part of the stainless steel structure.

NOTE: Strongly acidic or caustic cleaners may attack the steel causing a reddish film to appear. The use of these cleaners should be avoided.

Brand Names: Use of brand names is intended only to indicate a type of cleaner. This does not constitute an endorsement, nor does the omission of any brand name cleaner imply its inadequacy. Many products named are regional in distribution, and can be found in local supermarkets, department and hardware stores, or through your cleaning service. It is emphasized that all products should be used in strict accordance with package instructions.