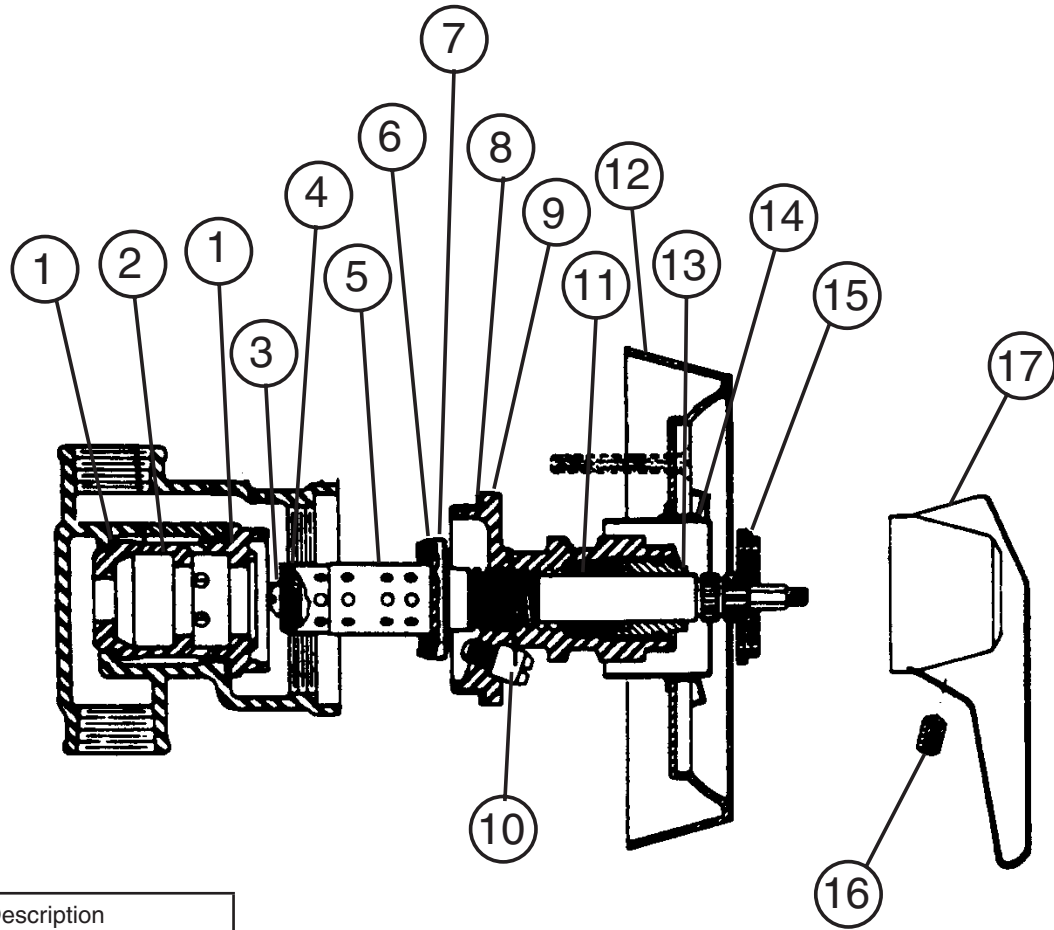


Pressure Balancing Mixing Valve S27-025

For Panelon and Wall Showers

Repair Parts are no longer available from Bradley. Contact Symmons Industries Inc.



Parts List

Item	Description
1	Top & Bottom Seat Gasket
2	Renewable Seat
3	Hot Washer Screw
4	Hot Washer
5	Flow Control Spindle
6	Cold Washer
7	Cold Washer Retainer
8	Cap Gasket
9	Cap
10	Limit Stop Assembly
11	Packing
12	Escutcheon and Screw
13	Packing Nut
14	Dome Cover
15	Dome Lock Nut
16	Handle Screw
17	Handle

Pressure Balancing Mixing Valve S27-025***Service Suggestions:***

1. Open valve to about warm position.
2. Loosen handle screw and remove handle.
3. Remove escutcheon.
4. Unscrew dial lock nut and remove dome cover.
5. Unscrew Valve Cap with complete assembly.
6. Leave Packing Nut in place while unscrewing Cap to avoid distorting end of Cap.
7. When Cap is unscrewed, entire working unit may be removed.

The perforated cylinder is an integral part of Flow Control Spindle and does not unscrew. The cylinder is hollow and contains a piston. The piston is free-moving and provides pressure-balancing feature of valve. By sliding back and forth under any variation of pressure, Piston opens or throttles Hot and Cold Water ports to control proper delivery ratio of each, and so maintains constant even temperature. Control action is entirely automatic, the Piston is sealed into cylinder, neither Cylinder nor Piston should be tampered with. Under no circumstances should wrench or pliers be used on Cylinder. It is a carefully machined unit and any marking or gouging will destroy it's function.

The Piston should be free inside Cylinder at all times and should click back and forth when assembly is shaken. After long service in "rugged" waters, it is possible that mineral or other deposits may block the Piston's action. Normally, tapping Handle End of Spindle against a solid object will free the piston. If it is so solidly plugged that this is not effective, replace entire Spindle Assembly.

Ordinary service requires only replacement of Hot and Cold Washers. To replace Cold Washer, remove large knurled Washer Retainer. To replace Hot Washer, remove Washer Screw. It is essential that both Hot and Cold Washers be replaced at the same time, even if only one appears to require attention. Use only Pressure Balancing Valve Washers.

In extreme cases or after long years of service, Body Seat may require replacement. Body Seat is removable after removal of four mounting screws.

NOTE: When reassembling valve after any repairs, be sure Cylinder is drawn close to Cap before screwing Cap back into position.

Valves are equipped with "LIMIT STOP". This Stop, located below Dome Cover, can be used to limit temperature of tempered water discharge.

TO ADJUST:

1. Open valve and turn handle to maximum desired discharge temperature.
2. Unscrew LIMIT STOP Cap.
3. Screw in adjusting set screw until it seats.
4. While still holding valve open to desired position, replace LIMIT STOP Cap and tighten securely against its gasket.