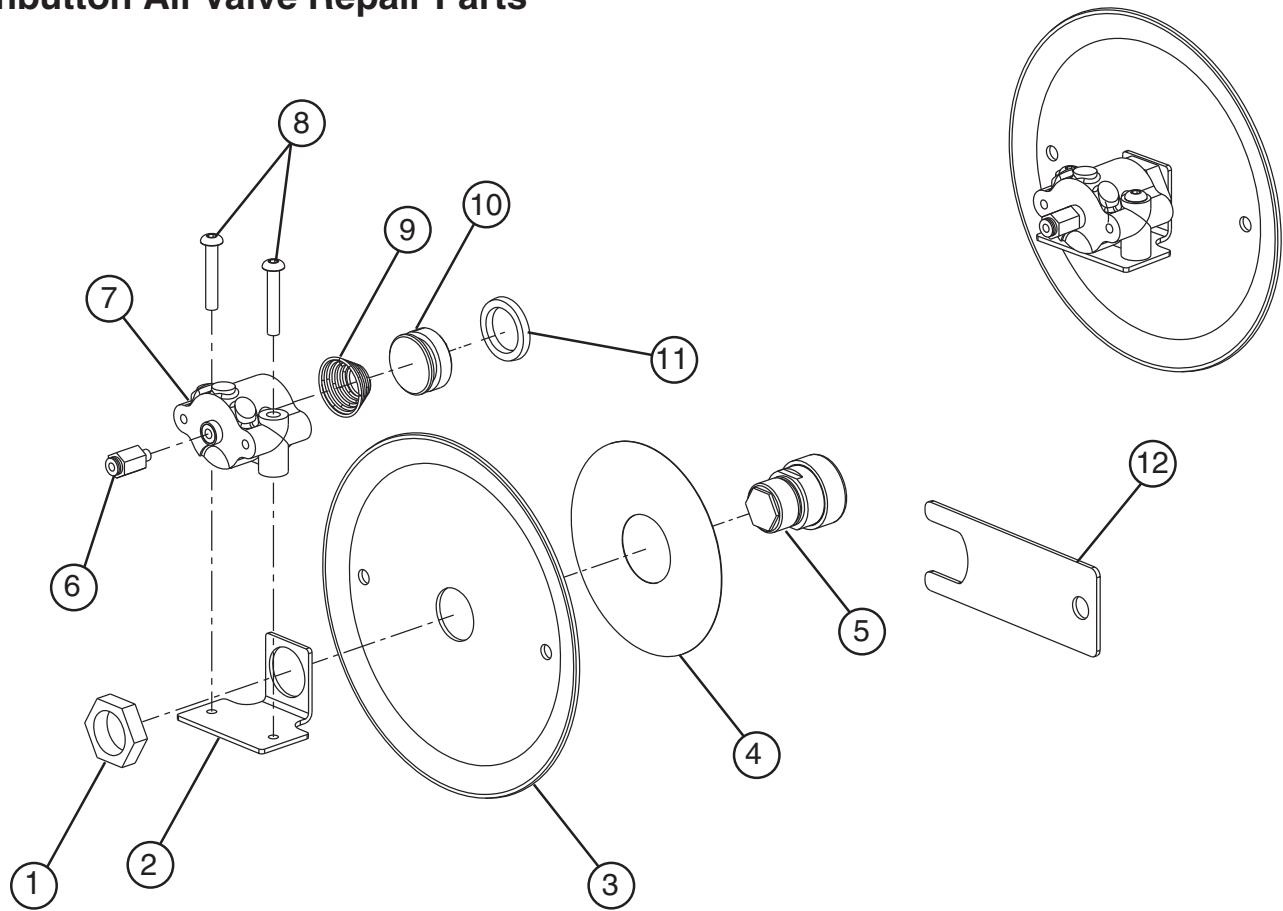


### Pushbutton Air Valve Repair Parts



### Parts List

Item	Part No.	Description	Pushbutton Assembly S45-1713	Repair Kit S65-224
			Qty	
1	110-115	Hex Nut 1/2 NPSM	1	
2	140-743	Actuator Bracket	1	
3	159-354	Mounting Plate	1	
4	204-501A	Decal — Air Valve	1	
5	S08-324	Pushbutton Assembly	1	
6	169-890	1/8 Tube Connector	1	1
7	118-279	Molded Acuator Body	1	1
8	160-165	Screw	2	2
9	135-065	Spring	1	1
10	119-227	Molded Piston	1	1
11	125-099	U-Cup	1	1
12	130-023	Wrench		1
	S45-125	Lubricant		1

**NOTE:** Lubricate "U" cup (Item 11) on plunger with lubricant (S45-125). Apply thin coat all around I.D. - 1" deep. Do not use spray silicone or petroleum based lubricants on components.