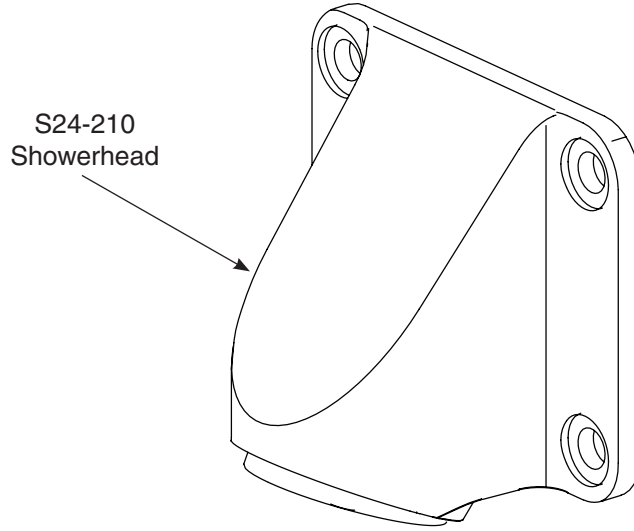


Ligature Resistant Showerheads



Shower head Type	Part No.	Max. Flow Rate @ 80 ±2 psi	Min. Flow Rate @ 45 ±2 psi Shower heads listed for use with automatic compensating valves rated at (see values below) or less
Ligature Resistant (AS)	S24-210	2.0 gpm (7.6 L/min)	1.7 gpm (6.6 L/min)