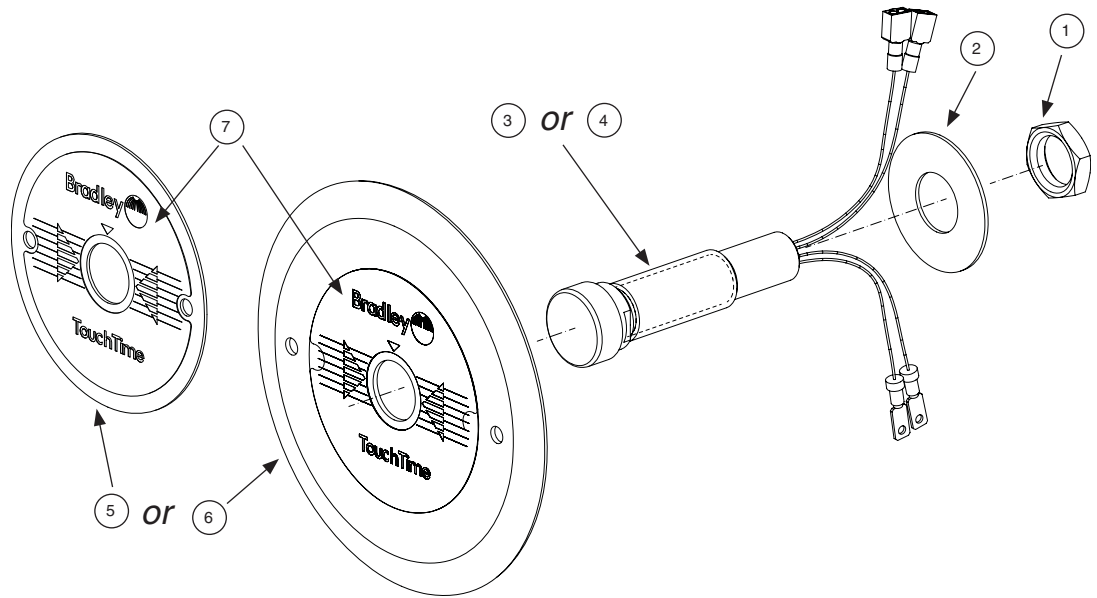
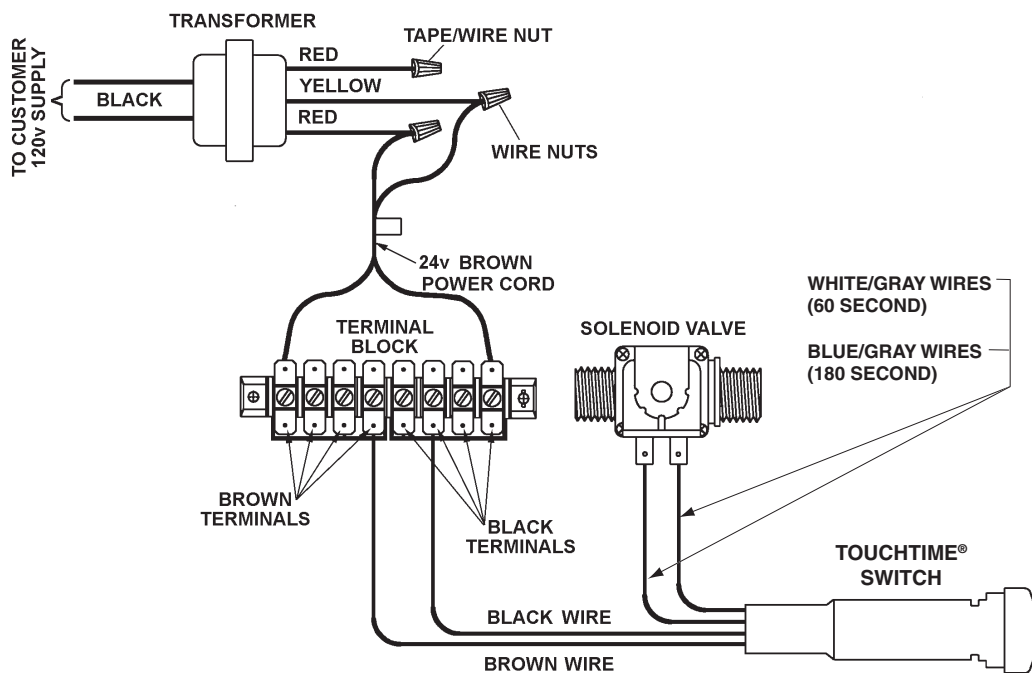


TouchTime®



Item	Part No.	Description
1	110-115	Nut
2	142-002CB	Flat Washer
3	S83-128	Switch Assembly - 60 Second
4	S83-128F	Switch Assembly - 180 Second
5	159-400	Escutcheon - Flat
6	159-354	Escutcheon - Convex
7	204-465	Decal (on face of escutcheon)

Wiring Diagram



Servicing TouchTime® Push Button Unit

If the TouchTime® push button unit does not function properly

1. Make sure the water supply and the 24 VAC power are both turned on.

If the water supply and the electrical power are both turned on but the push button is still not functioning, check the wiring following the steps outlined in procedure #2 below.

2. Check the wiring following the procedure outlined below:
 - a. Turn the electrical power off.
 - b. Check the wiring for loose connections or corrosion and correct if necessary.
 - c. Turn the electrical power back on and retest the push button.

If, after checking the wiring, the push button is still not functioning properly, test the transformer following the steps outlined in procedure #3.

3. Test the transformer with a volt meter following the procedure outlined below:
 - a. Turn the water supply off (the electrical power should remain on).
 - b. Set the volt meter scale to be able to read "24 VAC".
 - c. Connect the volt meter leads to the terminal block (one on each side).
 - d. The voltage reading should indicate 24 VAC \pm 10%.

If you are unable to obtain a proper voltage reading, the transformer is not working properly and needs to be replaced. Contact your Bradley representative to order a replacement transformer (ask for Bradley part number 269-703A).

If the transformer is working properly, turn the water supply back on and test the solenoid following the steps outlined in procedure #4.

4. Test the solenoid valve following the procedure outlined below:
 - a. Disconnect the White/Gray wires (60 second) or Blue/Gray wires (180 second) from the solenoid.
 - b. Disconnect the brown power cord leads from the terminal block.
 - c. Connect the brown power cord leads directly to the solenoid. The solenoid coil should activate and you should hear a single click and a humming noise.

If the solenoid coil does not activate, the solenoid valve is not working properly and needs to be replaced. Contact your Bradley representative to order a replacement solenoid valve assembly (ask for Bradley part number S07-053).

If, after checking the transformer, the solenoid valve and the wiring, you are unable to activate the shower sprayhead by pressing the TouchTime® push button, the TouchTime® switch assembly is not working properly and needs to be replaced. Contact your Bradley representative to order a replacement switch assembly (ask for Bradley part number S83-139).