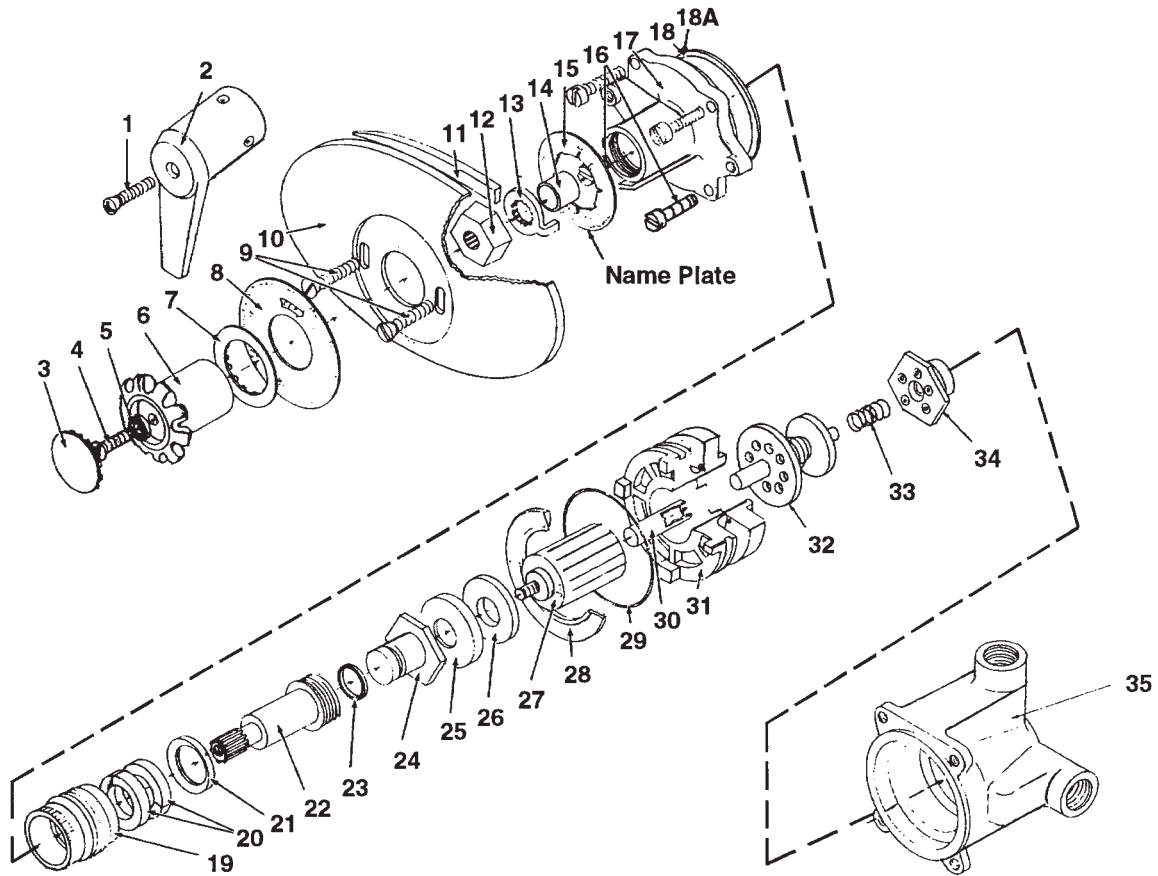


Bradley Thermostatic Mixing Valve

Repair Parts are no longer available from Bradley. Contact Powers, a Watts Industries Co., their model 425 Hydroguard.



No.	Description	No.	Description	No.	Description	No.	Description
1	Screw	10	Dial Plate	18A	Bonnet O-Ring	27	Thermal Motor
2	Lever Handle Assembly	11	Gasket	19	Packing Gland	28	Spacer Ring
3	Plug Button	12	Handle Adaptor	20	Packing Rings	29	Combination Seat O-Ring
4	Screw	13	Temperature Stop	21	Packing Stop Ring	30	Motor Sleeve
5	Washer	14	Spacer Sleeve	22	Adjustable Stem	31	Combination Seat
6	Handle	15	Identification Tag	23	Motor Quad Ring	32	Valve Assembly
7	Retainer	16	Screws	24	Shut-Off Disc Nut	33	Valve Return Spring
8	Dial Insert	17	Bonnet	25	Shut-Off Disc Retainer	34	Hot Water Seat
9	Screw	18	Bonnet Gasket	26	Shut-Off Disc	35	Body Port

Figures courtesy of Powers, a Watts Industries Co.