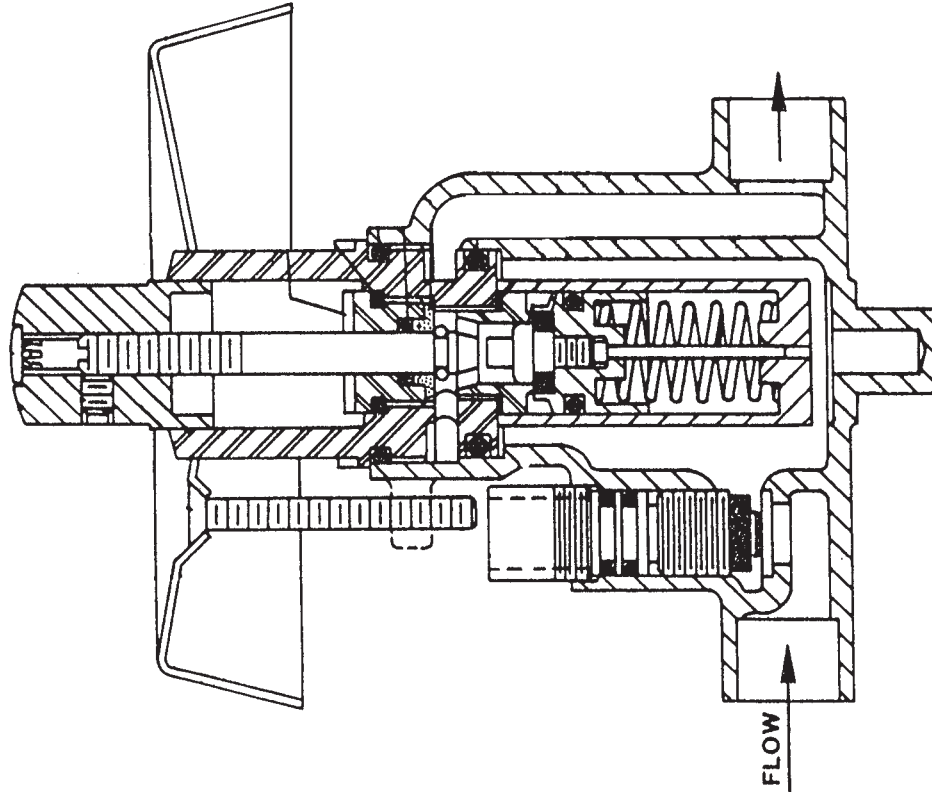


Metered Shower Valve S27-024

Repair Parts are no longer available from Bradley. Contact Symmons Industries Inc.



Valve Adjustment:

By referring to the valve diagram, follow these instructions for valve adjustment. The diagram shows the valve set at maximum time cycles the Allen set screw is holding on the uppermost end of push-rod. To shorten cycle:

1. Loosen the Allen set screw.
2. "Pop out" plug bottom with sharp pointed tool.
3. Insert thin blade screwdriver in center of knob and into the slot of the push-rod.
4. Turn knob clockwise while holding screwdriver firmly. Turn until push-rod is almost flush with top of knob.
5. Tighten Allen set screw. Insert plug bottom.

This procedure lowers the knob in the cap and effectively allows for shorter stroke when the knob is pushed to operated the valve.

SERVICE NOTES: Foreign matter in new pipe lines may interfere with proper operation of valve and may be corrected by removing cartridge and cleaning working parts of valve. If valve has long idle period between installation and operation, Cup Washer or Push-rod may stick and it may be necessary to disassemble valve end of cartridge and lightly lubricate these parts. The same procedure may be found necessary on installations which have only seasonal use.