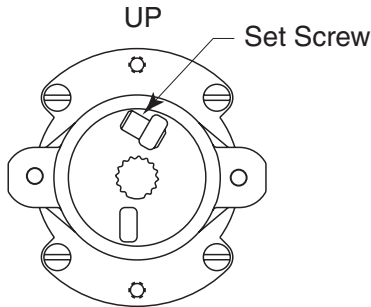
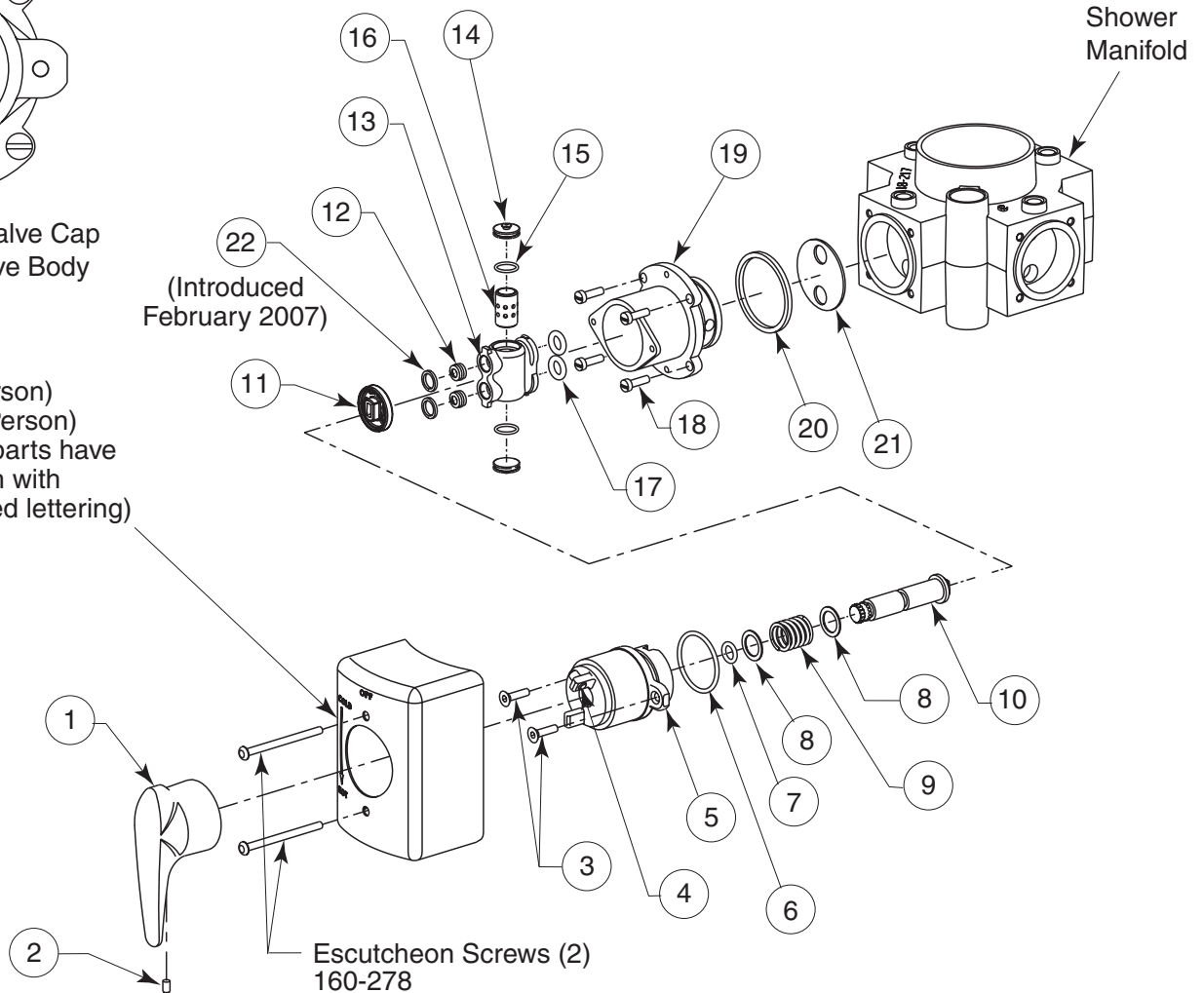


Equa-Flo HD Pressure Balancing Valve For Column Showers (2003 to Present)



Align Item 5, Valve Cap to Item 19, Valve Body as shown

Escutcheon:
150-206 (6 Person)
150-205 (2-5 Person)
(Note: These parts have a chrome finish with cast-in recessed lettering)



Valves are equipped with a temperature limit stop which can be used to limit the temperature of tempered water discharged. To adjust the temperature, remove the handle and adjust the set screw on the valve cap. Turn the set screw clockwise for COLDER setting and counterclockwise for WARMER setting.

NOTE: When replacing the double face seals, lubricate the top face with a small amount of lubricant when reassembling.

When assembling the valve cap into valve body, use lubricant on 125-154 O-ring to prevent twisting of O-ring.

If lubricant is not available, a slight film of soap may be used.

Equa-Flo HD Pressure Balancing Valve Parts List Column Showers (2003 to Present)

Item	Part No.	Description	Assembly	Cartridge Assembly S67-602S	Stem Assembly S21-076	Gasket Repair Kit S65-248A
			Qty			
1	128-163	Handle	1	—	—	—
2	160-226	Screw	1	—	—	—
3	160-225	Screw	2	—	—	—
4	160-441	Set Screw	1	—	—	—
5	107-521	Valve Cap	1	—	—	—
6	125-154	O-Ring	1	—	—	1
7	125-001AY	O-Ring	—	—	1	1
8	142-131	Washer	—	—	2	—
9	135-089	Spring	—	—	1	—
10	120-150	Stem	—	—	1	—
11	120-155B	Rotor	1	—	—	—
12	125-081	Double-Face Seal	—	2	—	2
13	118-311	Cartridge Housing	—	1	—	—
14	153-428	Retainer	—	2	—	—
15	125-001BQ	O-Ring	—	2	—	2
16	119-242	Piston	—	1	—	—
17	125-155	O-Ring	—	2	—	2
18	169-256	Screw	4	—	—	—
19	118-143	Valve Body	1	—	—	—
20	169-269	Gasket	1	—	—	1
21	125-001BS	Washer	1	—	—	1
22	142-130	Washer	—	2	—	2

Complete Column Valve Replacement/Retrofit Kits for Columns

S65-250 for 2-5 Person

S65-251 for 6-Person

NOTE: Above part numbers contain all parts necessary to replace/retrofit one station only. Customer must order proper amount of kits; example: Five S65-250 kits required for a five person column.