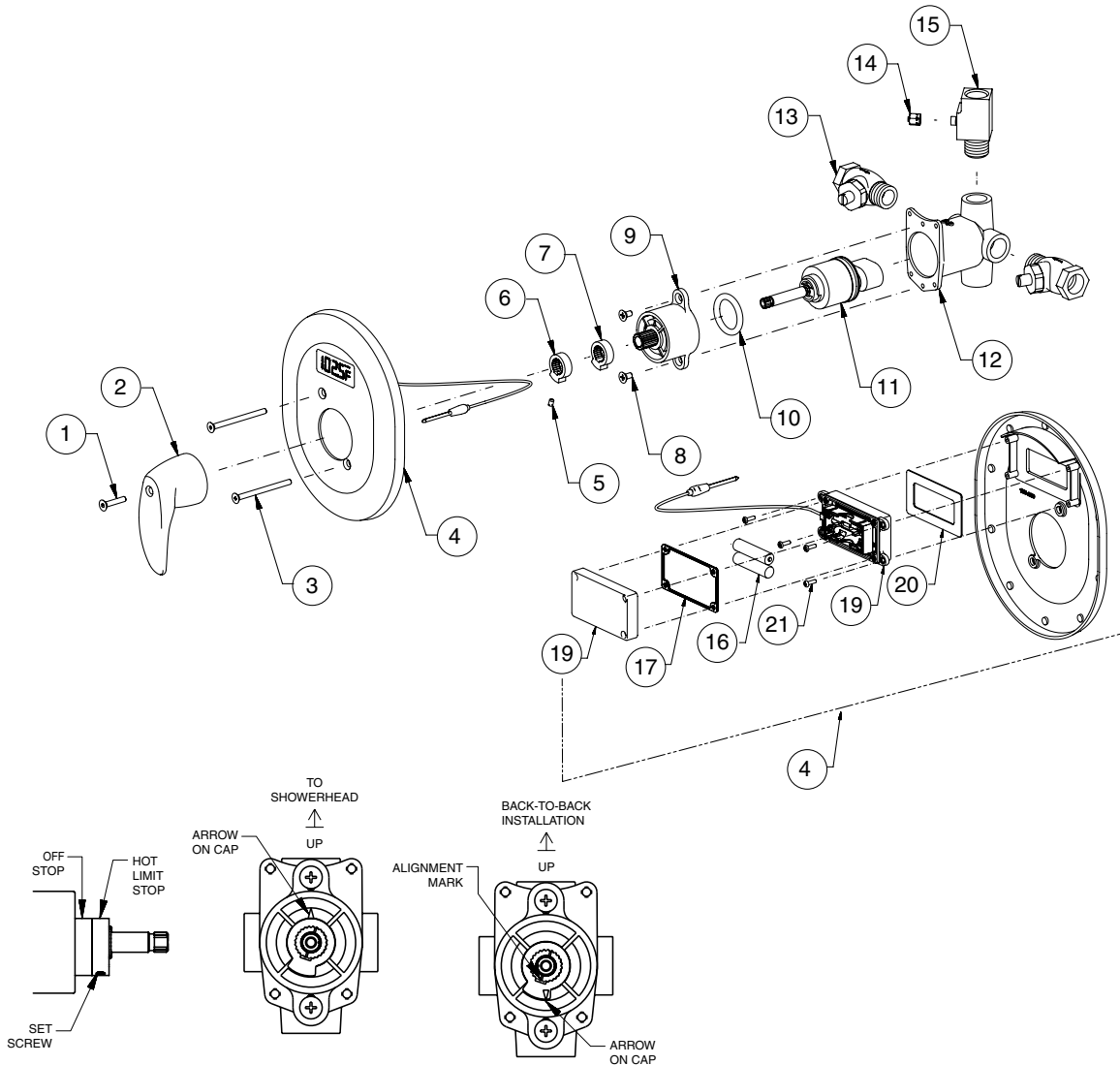


Equa-Flo EFT1 Pressure Balancing Valve — Model S59-1000T1 (January, 2013 to Present) For Individual Showers



Equa-Flo valves are equipped with a temperature limit stop which can be used to limit the temperature of tempered water discharged.



IMPORTANT: The hot limit stop as shown above has been set for maximum temperature operation. For temperatures other than the maximum, the stop may be repositioned as described below. Failure to adjust the hot limit stop to a safe shower temperature could result in the user being scalded.

To adjust the temperature, remove the handle and loosen the set screw. Remove the HOT limit stop and reposition to desired setting. Turn the limit stop clockwise for a HOTTER setting and counterclockwise for a COOLER setting.

When assembling the cartridge assembly into the valve body and cap, lubricate the stem and O-rings with S45-125 grease.

If the desired position falls between adjacent positions on the spline, flip the HOT limit stop over so the other face shows. This shifts the stop position by 1/2 spline.

FOR BACK-TO-BACK INSTALLATION: On the valve that is installed “backwards”.

- A. Remove (2) screws that hold down cap.
- B. Rotate cap and cartridge assembly 180°; re-install screws.
- C. Remove both limit stops and rotate 180°. Align with Alignment Mark as shown.
- D. Adjust hot limit stop the same as for a standard installation.

Equa-Flo EFT1 Pressure Balancing Valve — Model S59-1000T1 (January, 2013 to Present) For Individual Showers

Parts List

Item	Part No.	Description	Assembly	Gasket Repair Kit S65-276	Cartridge Assembly Repair Kit S65-277	Temp Display Repair Kit S65-382
			Qty			
1	160-214	Screw 10-24 x 1 Flat Head	1	—	—	—
2	128-161	Handle	1	—	—	—
3	160-386	Screw	2	—	—	—
4	S74-020	Escutcheon Assembly w/ Display	1	—	—	—
5	160-252	Set Screw 8-32 x 1/4	1	—	—	—
6	144-033	Limit Stop, HOT	1	—	—	—
7	144-041	Limit Stop, OFF	1	—	—	—
8	160-454	Screw 10-24 x 3/8 Flat Head	2	—	—	—
9	107-551	Cap	1	—	—	—
10	125-161	O-ring	—	1 (See Note 1)	1 (See Note 2)	—
11	269-1785	Cartridge Assembly	1 (See Note 2)	—	1 (See Note 2)	—
12	118-144	Valve Body	1	—	—	—
13	S27-102	Check Stop	2	—	—	—
14	269-2096	Sleeve/Nut Assembly	—	—	—	1
15	269-2092	Tee-Probe (includes 269-2096)	1	—	—	—
16	261-013	Battery (AAA) 2 Pack	1	—	—	—
17	269-2081	Gasket - Display	—	—	—	—
18	124-089	Foam Rim Seal (not shown)	—	—	—	—
19	269-2076	Temperature Display	—	—	—	1
20	124-088	Gasket - Temperature Display	—	—	—	1
21	160-478	Screw 4-40 x 3/8	—	—	—	4

Notes:

1. *Gasket Repair kit also contains the three external O-rings (not shown on exploded diagram) supplied with the 269-1785 cartridge assembly.*
2. *If the 269-1785 Cartridge is disassembled, it cannot be reassembled and must be replaced. The 269-1785 Cartridge assembly cannot be ordered separately; cartridge assembly must be ordered as part of the Repair Kit that includes the O-ring.*