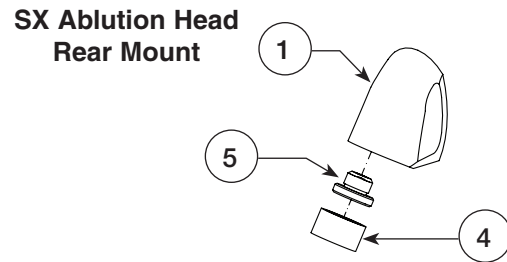
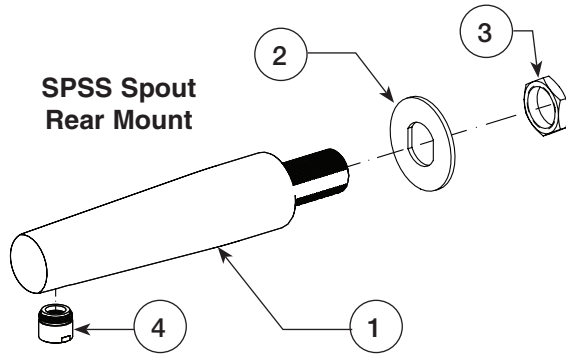
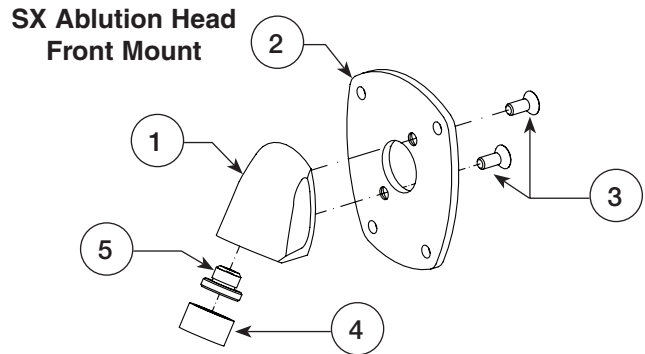
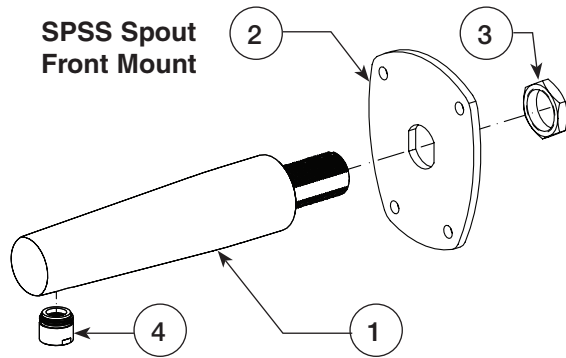


Spout/Heads



Part No.	Spout Type	Mount Type	1	2	3	4	5	Max. Flow Rate at 80 ± 2 psi	Min. Flow Rate at 45 ± 2 psi Spout listed for use with automatic compensating valves rated at (see valves below) or less
S24-215	Rear	SPSS	154-154B	142-143	161-080	S05-212	—	1.0 gpm (3.8 L/min)	1.0 gpm (3.8 L/min)
S24-216	Rear	SPSS	154-154B	142-143	161-080	S05-211	—	0.5 gpm (1.9 L/min)	0.5 gpm (1.9 L/min)
S24-217	Rear	SPSS	154-154A	142-143	161-080	S05-212	—	1.0 gpm (3.8 L/min)	1.0 gpm (3.8 L/min)
S24-218	Rear	SPSS	154-154A	142-143	161-080	S05-211	—	0.5 gpm (1.9 L/min)	0.5 gpm (1.9 L/min)
S24-219	Front	SX	154-126	159-442	160-154	269-040	153-229	1.5 gpm (5.7 L/min)	1.3 gpm (4.9 L/min)
S24-220	Front	SPSS	154-154B	159-441	161-080	S05-212	—	1.0 gpm (3.8 L/min)	1.0 gpm (3.8 L/min)
S24-221	Front	SPSS	154-154B	159-441	161-080	S05-211	—	0.5 gpm (1.9 L/min)	0.5 gpm (1.9 L/min)
S24-222	Front	SPSS	154-154A	159-441	161-080	S05-212	—	1.0 gpm (3.8 L/min)	1.0 gpm (3.8 L/min)
S24-223	Front	SPSS	154-154A	159-441	161-080	S05-211	—	0.5 gpm (1.9 L/min)	0.5 gpm (1.9 L/min)
S24-224	Rear	SX	154-126	—	—	269-040	153-229	1.5 gpm (5.7 L/min)	1.3 gpm (4.9 L/min)