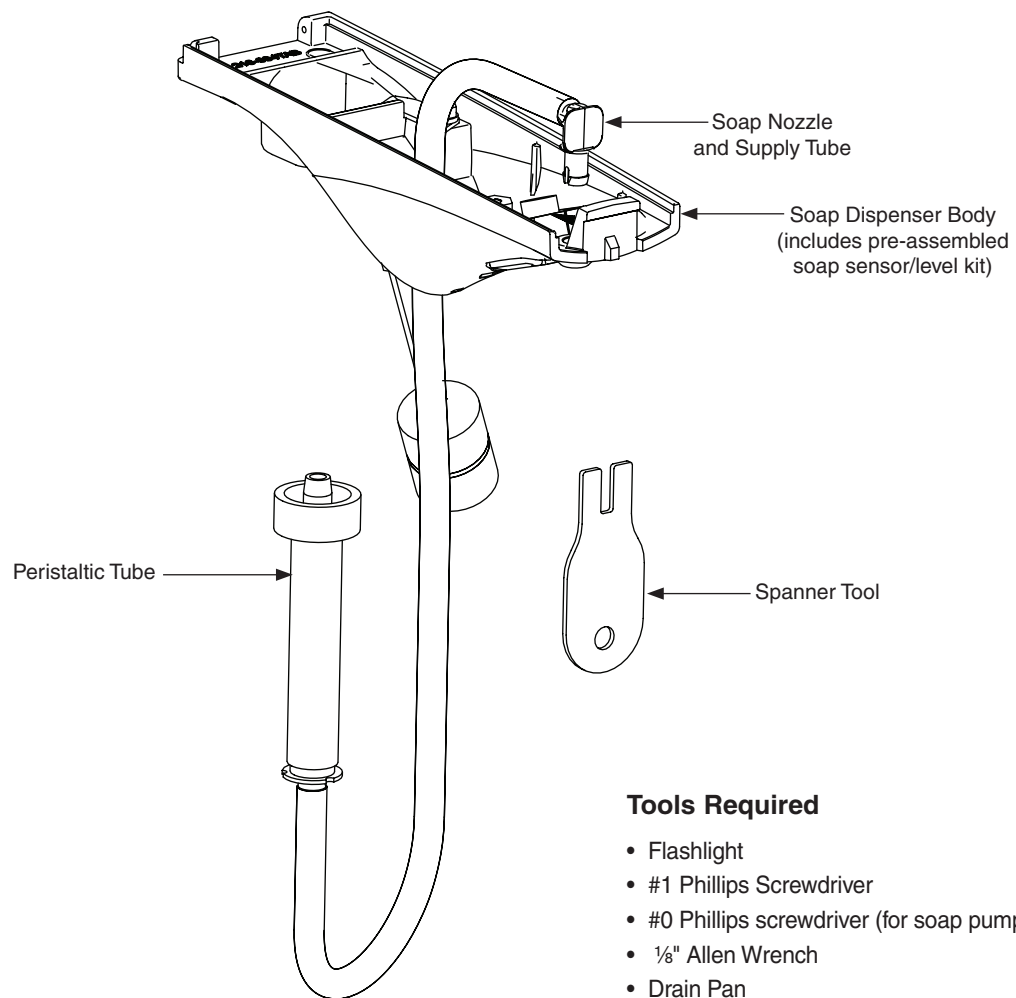


# Installation

## Advocate<sup>®</sup> Soap Retrofit

### S45-2856



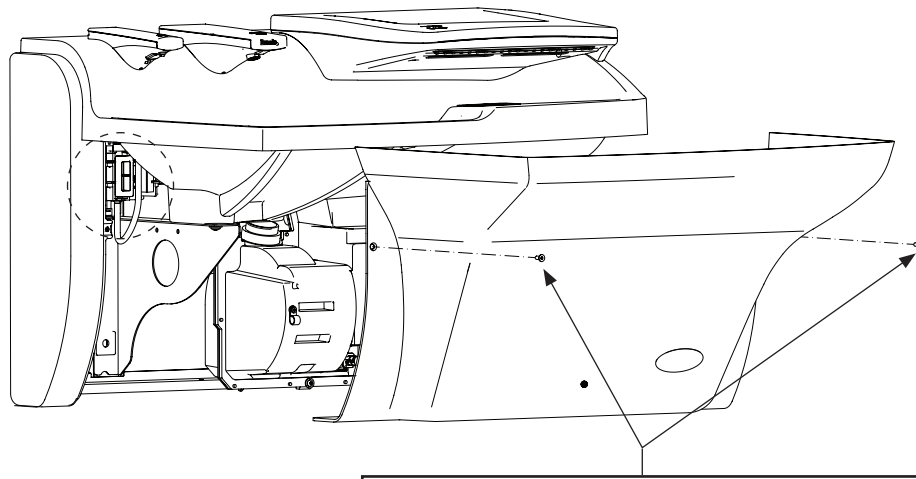
#### Tools Required

- Flashlight
- #1 Phillips Screwdriver
- #0 Phillips screwdriver (for soap pump screw)
- 1/8" Allen Wrench
- Drain Pan
- Paper Towel

# 1 Remove Trap Cover



Please read instructions carefully. Some parts from old soap system must be used in new soap system.

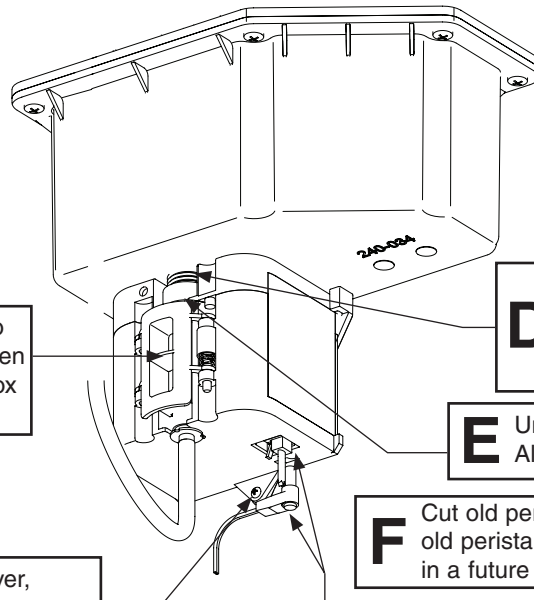


**A** Remove screws and then remove trap cover using the 1/8" allen wrench. Set screws and trap cover aside for later use.

# 2 Draining Tank and Disconnecting Old Peristaltic Tube



Soap will spill out of tank once peristaltic tube is disconnected.



**C** Pull up on soap pump box door to open the door (spring loaded). Then pull down pump box. Set pump box aside for later use.

**B** Using #0 phillips screwdriver, remove screw from soap pump box. Set screw aside for later use.

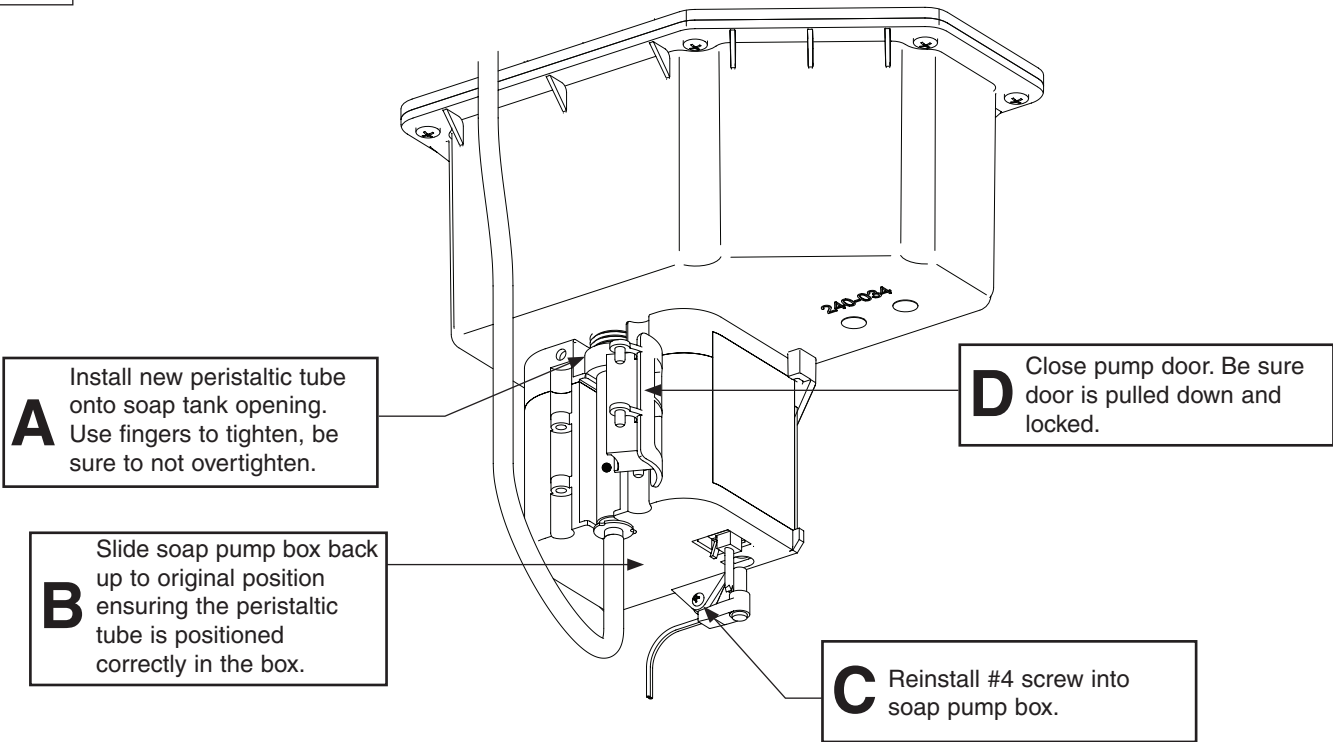
**A** Disconnect barrel plug and circuit plug. Tuck away cords to ensure they don't contact soap when draining the tank.

**D** Position drain pan to catch soap. The soap will immediately drain from this location when the peristaltic tube is disconnected.

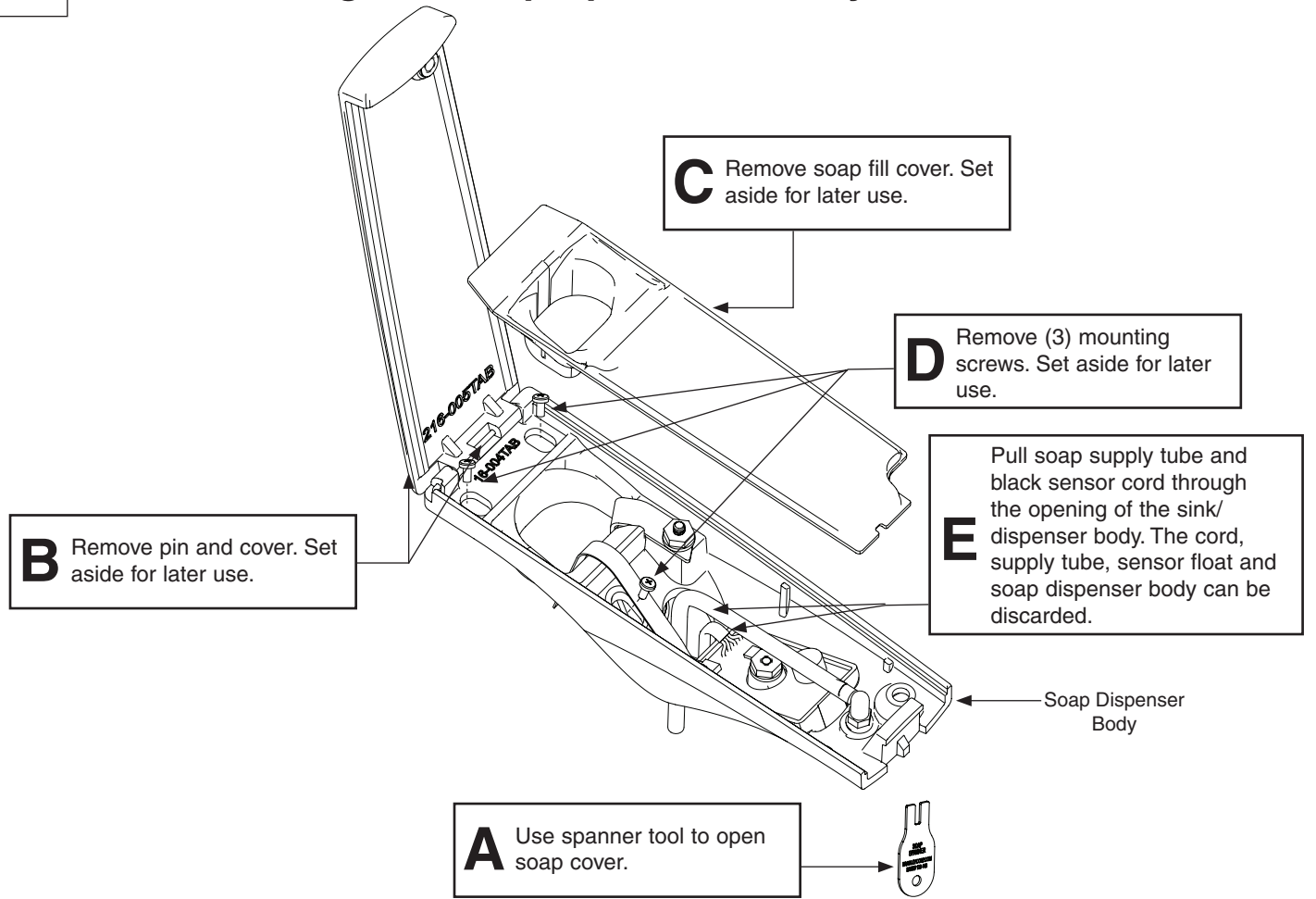
**E** Unscrew old peristaltic tube from soap tank. Allow soap to drain out into drain pan.

**F** Cut old peristaltic tube off of supply tube and discard old peristaltic tube. The supply tube will be removed in a future step.

### 3 Connect New Peristaltic Tube



### 4 Disconnecting Old Soap Spout Assembly



**5 Connect New Soap Assembly**

**E** Install soap fill cover (press fit).

**D** Install (3) mounting screws previously removed from soap body.

**F** Install soap cover and pin.

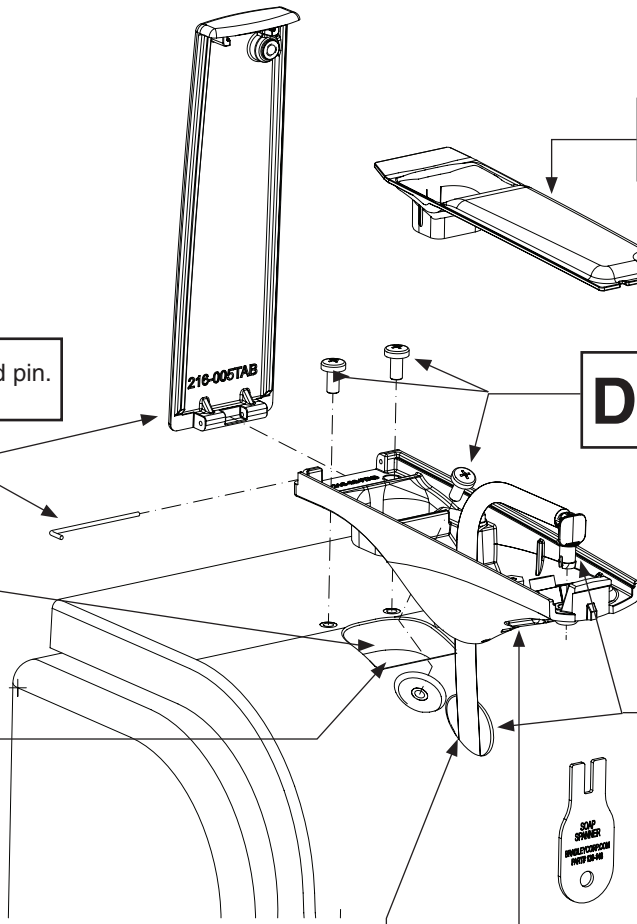
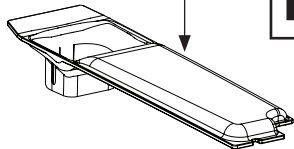
**A** Route the new supply tube and soap nozzle that is connected to the peristaltic tube (from below) through the hole in the sink deck. Snap soap nozzle into soap body.

**C** Feed sensor float into the soap tank opening. Be sure the white ribbon cable isn't kinked or pinched.

**B** Route new sensor cord (from top) through the hole in the sink deck.

Soap Tank Opening

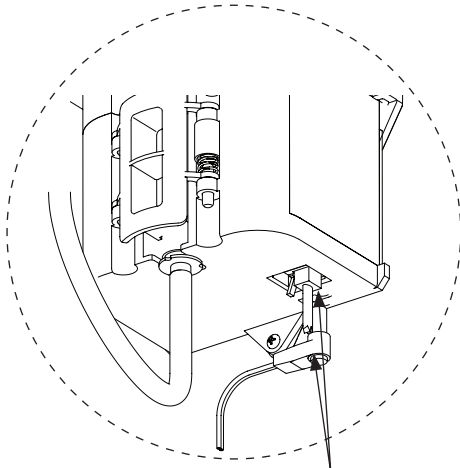
Soap Body



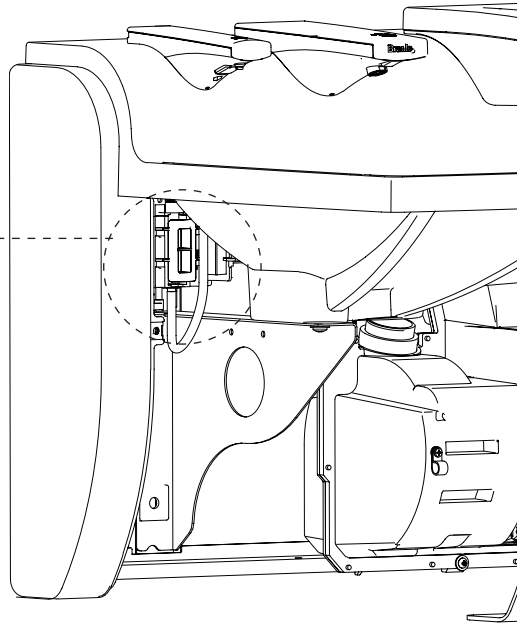
## 6 Fill and Prime Soap



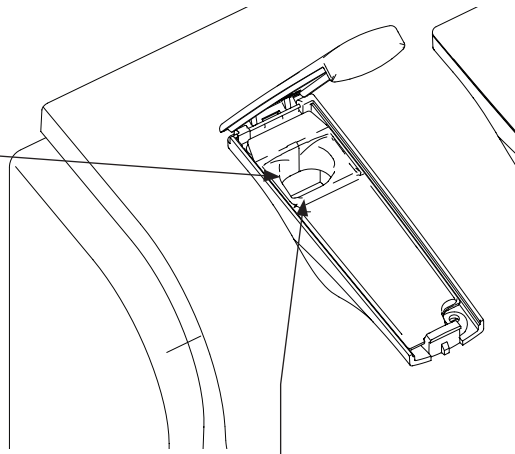
Visit [www.bradleycorp.com/advocatesoap](http://www.bradleycorp.com/advocatesoap) for information regarding soap recommendations.



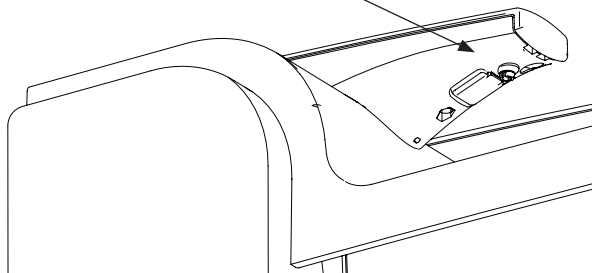
**A** Reconnect barrel plug and circuit plug on bottom of soap pump box.



**B** Pour 6-8 ounces of water into the soap fill hole to prime pump.



**C** Activate the soap spout by placing your hand beneath the soap nozzle for 15 seconds. Keep your hand in place once the soap starts to dispense for up to 30 seconds. After 8 to 12 activations, the pump has been primed and your hand can be removed from under the nozzle. The LED light will be blinking green during the Auto Prime mode.



**D** After the soap system is primed, pour soap into the soap fill hole to fill the (64-ounce capacity) soap tank. An audible "chirp" will sound and increase in intensity when the tank is approaching 95% full.

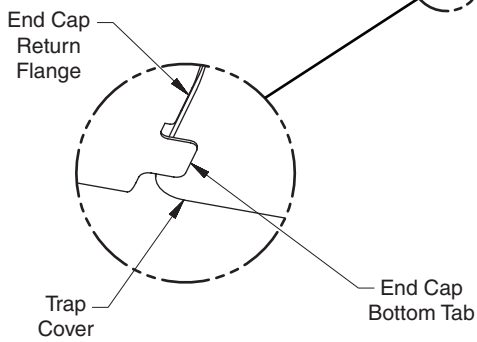
**E** Rotate the spout cover down and clip the cover onto the spout body.

# 7 Trap Cover



Tuck any loose wires into the frame prior to installing the trap cover to the frame.

**A** Position the bottom of the trap cover between the end cap return flange and the bottom tab.



**B** Rotate the trap cover up and tuck the edges behind the basin apron.

**C** Secure the trap cover with two #10 x 1/2" flat head screws provided. Use 1/8" hex driver to install trap cover.

