

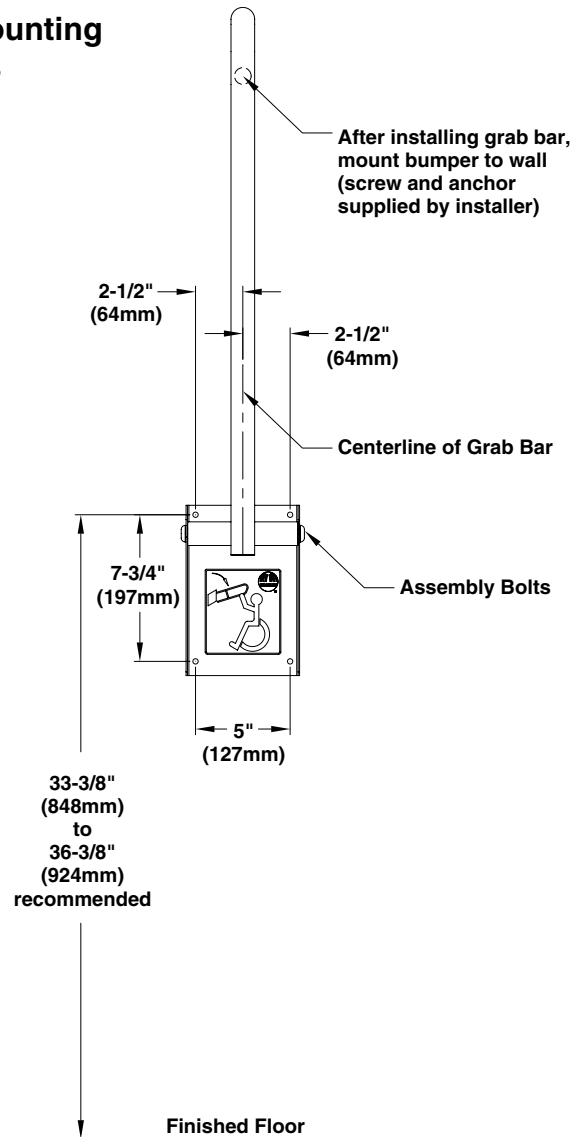
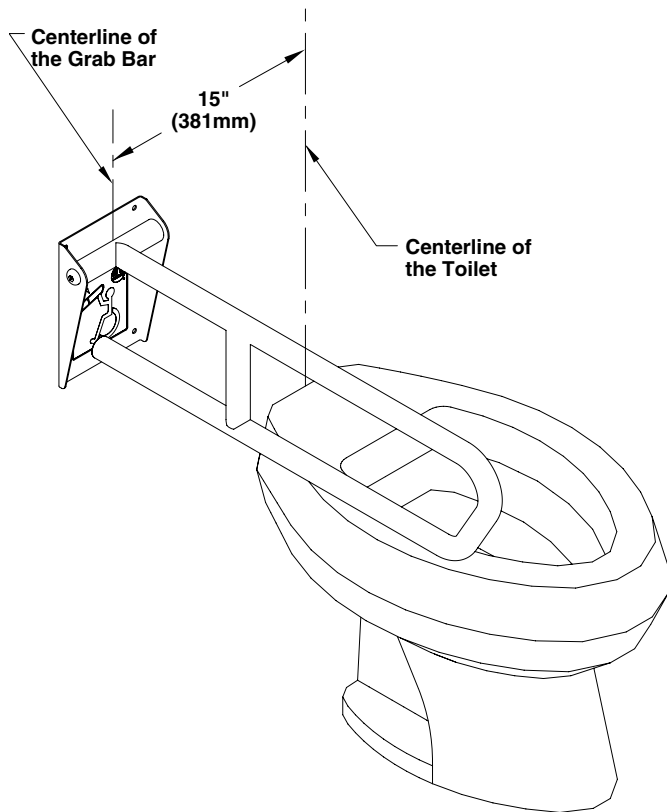
Installation

Swing-Up Grab Bar



IMPORTANT: All mounting hardware is supplied by installer and must have a minimum pull-out rating of 1,000 lbs.

Recommended Mounting Dimensions



IMPORTANT: Periodic maintenance of assembly bolts (by torquing to 25–30 ft lbs) is required.