



- No Frame Required for Installation
- Ideal for ADA Shower Rooms
- Flexible Supply Hoses Make Rough-In Easier
- Completely Preassembled, Recess-Mounted Wall Unit

Specifications

Shower Configuration

Available in a right or left-handed configuration depending on location of valve, as determined by application or ADA requirements.

Construction

Materials

All exposed materials, except for phenolic seat, are type 304 stainless steel or polished chrome-plated brass. Shower panel is 14 gauge and grab bar is 18-gauge. Valve bodies are brass casting. Supply hoses are 24" flexible stainless steel.

California ADA Compliant

When installed properly in a 36" x 60" stall (provided by others), the HN200-T24 provides a shower stall designed to comply with all known T24 guidelines on reaches, clearances, and operation. Controls are mounted 40" above the floor to accommodate all users.



Check local applicable codes for dimensional compliance.

Standard Equipment

Shower Panel

Constructed of 14 gauge stainless steel with recessed soap dish.

Valve Type as Selected

For more information on each valve type, please enter the model number in the search box at www.bradleycorp.com.

Showerhead

Standard fixed direction 1.5 GPM (5.7 LPM) sprayhead (S15).

Diverter Valve

Lever handle operation for easy transfer of water flow between fixed and hand-held hose spray.

Hand Shower

Consisting of hand shower with pause control, a 60" braided stainless steel flexible hose and post style mounting bracket to hold to shower panel. Elevated in-line backflow preventer with quick-disconnect for flexible hose.

Supply Inlets

Supply inlets are flexible, stainless steel hoses with 1/2" NPT connections.



HN200-T24
Valve Right Shown

Optional Equipment

L-Shaped Grab Bar

Grab bar fabricated of 18-gauge 1-1/2" O.D. stainless steel tubing with a 1-1/2" safety statute clearance. Flanges are 11-gauge. Load capacity in excess of 300 lbs.

ADA Compliant Seat

Reversible phenolic shower seat. Load capacity of 250 lbs. See technical data document [Bradley_ShowerSeat_9562](#) for additional information.

Shower Curtain

60" x 72" Vinyl shower curtain with heavy-duty curtain rod and hooks.



Specifically designed to meet California ADA requirements. Will not meet ADA requirements outside of California.



Model <input type="checkbox"/> HN200-T24	Description Recess-Mounted California ADA-Compliant Wall Shower
Standard Selections (Must select one from each category)	
Showerhead Height (select one) <input type="checkbox"/> 6'-0" Standard Height	
Valve Type (select one) <input type="checkbox"/> EF Equa-Flo Pressure-Balancing Valve <input type="checkbox"/> HD Equa-Flo HD Pressure-Balancing Valve <input type="checkbox"/> TMV Thermostatic Mixing Valve <input type="checkbox"/> SVL Single Compression Valve with Lever Handle <input type="checkbox"/> AST Air Pushbutton <input type="checkbox"/> TTPA TouchTime Pushbutton* <input type="checkbox"/> TTPB TouchTime Piezo Switch*	
Showerhead Type (S15 option is the default if no showerhead option selected) <input type="checkbox"/> S15 Standard Showerhead (Flow Rate = 1.5 GPM/5.7 LPM) <input type="checkbox"/> SX15 Severe Service Showerhead (Flow Rate = 1.5 GPM/5.7 LPM) <input type="checkbox"/> S20 Standard Showerhead (Flow Rate = 2 GPM/7.6 LPM) <input type="checkbox"/> SX20 Severe Service Showerhead (Flow Rate = 2 GPM/7.6 LPM) <input type="checkbox"/> ES Economy Soft Flow with Ball Joint (Flow Rate = 2 GPM/7.6 LPM) <input type="checkbox"/> J Multi-Jet Showerhead (Flow Rate = 1.5 GPM/5.7 LPM) <input type="checkbox"/> LX Luxury Showerhead (Flow Rate = 1.5 GPM/5.7 LPM) <input type="checkbox"/> B Axis Showerhead (Flow Rate = 1.5 GPM/5.7 LPM)	
Second Showerhead Type (select one) <input type="checkbox"/> HS Hand Shower w/ 60" Flexible Hose, Wall Hook, Vacuum Breaker and Quick Disconnect** <input type="checkbox"/> S15 Standard Showerhead w/ Ball Joint (Flow Rate = 1.5 GPM/5.7 LPM)‡ <input type="checkbox"/> S20 Standard Showerhead w/ Ball Joint (Flow Rate = 2 GPM/7.6 LPM)‡ <input type="checkbox"/> ES Economy Soft Flow Showerhead w/ Ball Joint (Flow Rate = 2.0 GPM/7.6 LPM)‡	
Valve Location (select one) <input type="checkbox"/> VL Valve Left <input type="checkbox"/> VR Valve Right	

Optional Selections
Supply Stop Type† (select one) <input type="checkbox"/> ST Stops in each Supply <input type="checkbox"/> NONE No Supply Stops
Slide Bar Type§ (select one) <input type="checkbox"/> SB 24" Slide Bar <input type="checkbox"/> NONE No Slide Bar
Shower Seat Type (select one) <input type="checkbox"/> RSS Reversible Phenolic Shower Seat (Not a Transfer Seat) <input type="checkbox"/> NS No Seat
Curtain Type (select one) <input type="checkbox"/> CRH Shower Curtain, Rod and Hooks <input type="checkbox"/> NONE No Shower Curtain, Rod or Hooks
Grab Bar Type (select one) <input type="checkbox"/> GB L-Shaped 2-Wall Grab Bar <input type="checkbox"/> NONE No Grab Bar
Hardware Type <input type="checkbox"/> SC Standard Screws <input type="checkbox"/> VS Vandal Resistant Screws

* TTPA and TTPB valves require a low-voltage UL/CSA listed 120VAC/12VDC plug-in adapter.
 **Hand shower is 1.5GPM (95.7LPM)
 † Included with EF, HD and TMV valves.
 ‡ California requires a ball joint for 2nd showerhead.
 § Only available with HS selection.

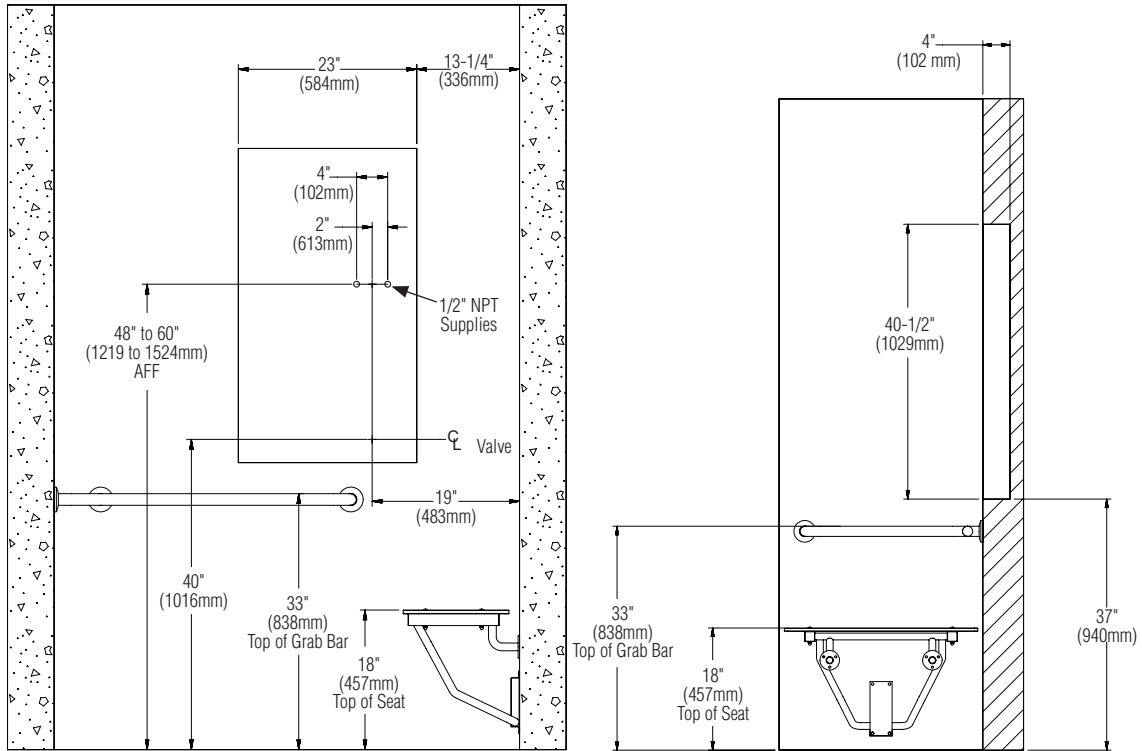


HN200-T24 Recess-Mounted California ADA Compliant Wall Shower

Dimensions for T24 Compliance

Shower Panel/Grab Bar Rough-In

(mm)



Valve Right/Seat Right Configuration

