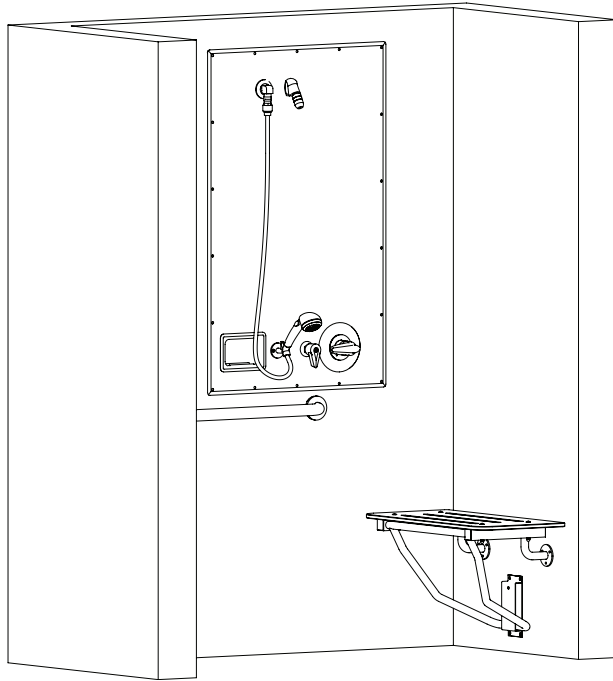


Installation

HN-200 Recess-Mounted Shower

California Title 24



Valve Right/Seat Right Shown

Table of Contents

Pre-Installation Information	3
Rough-Ins	4
Installation	5
Cleaning and Maintenance	6

WARNING

This shower system may not protect the user from scalding when there is a failure of other temperature-controlling devices elsewhere in the plumbing system.

Hardware supplied by installer must be appropriate for wall construction. Wall anchors used must have a minimum pull-out rating of 300 lbs.

NOTICE

Excessive heat to the Equa-flo™ system will damage the internal parts of the valve.

IMPORTANT

Read this entire installation manual to ensure proper installation. When finished with the installation, file this manual with the owner or maintenance department. Compliance and conformity to local codes and ordinances is the responsibility of the installer. Product warranties may be found under “Products” on our Web site at bradleycorp.com.

Plumbing contractor shall be responsible for installing shower control pane at the correct height to meet accessibility requirements.

This manual covers all of the HN-200 variations and options available, including shower seat and curtain installation. Simply omit the steps which do not apply to the unit you are installing.

Make sure all parts are accounted for before discarding any packaging material. If any parts are missing, do not attempt to install your Bradley HN-200 shower until obtaining the missing parts.

Valve Right/Seat Right version is shown throughout this manual. Valve Left/Seat Left is opposite.

Pre-Installation Information



The HN-200 shower is furnished assembled for job site installation. Particular care must be taken by the contractor for proper height placement of the shower. Always check local codes for compliance.

Material

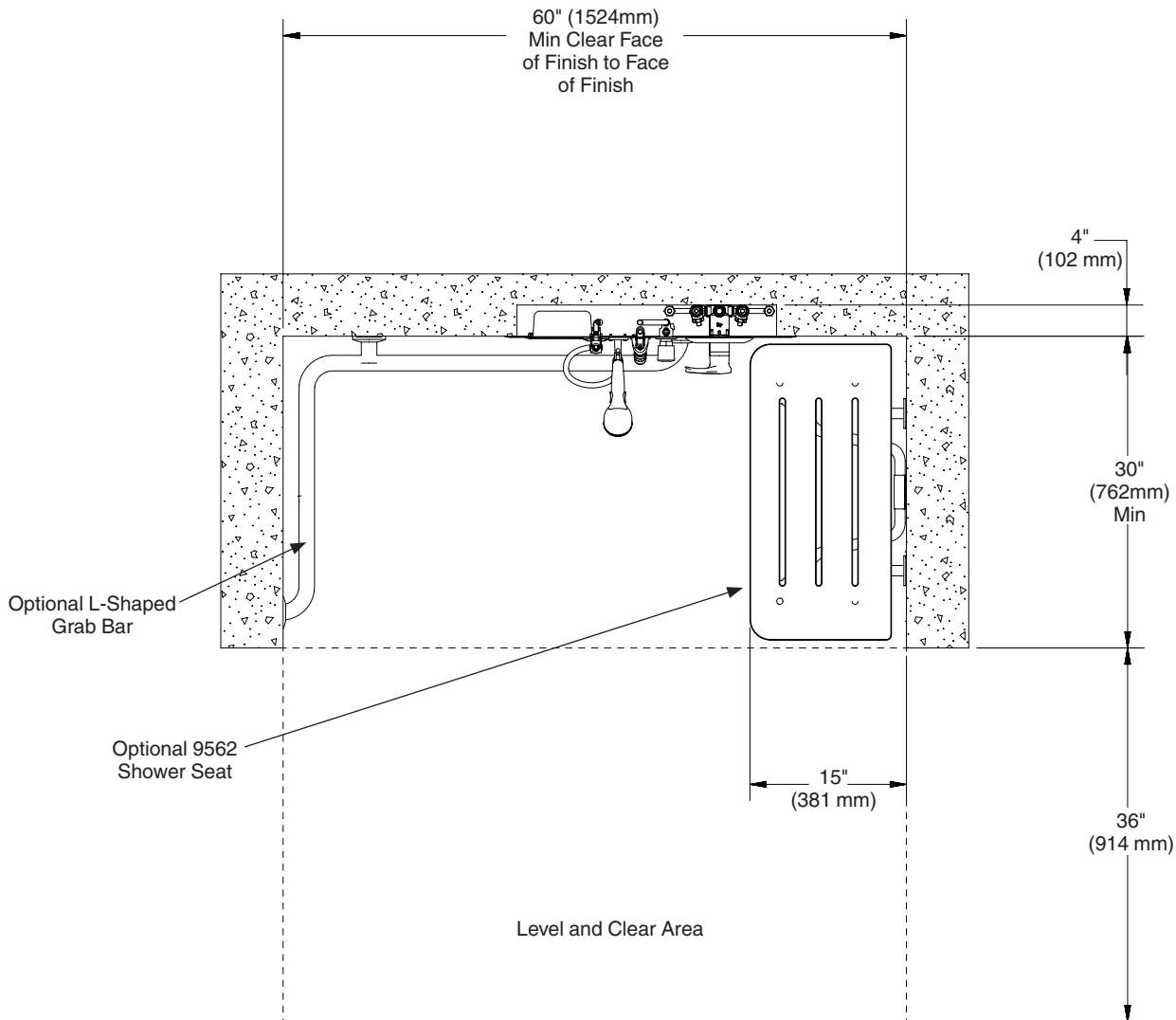
Control Panel Material: The shower control panel is constructed of 14-gauge type 304 stainless steel.

Valve and Component Material: All exposed parts (except seat cover) are stainless steel or polished chrome-plated brass. Valve bodies are brass casting.


Supplies Required


- Wall anchors to mount HN-200 shower panel on wall (supplied by installer)
- 1/2" IPS hot (or 1/2" IPS tempered) and cold water supply
- (6) wall anchors for 1/4"-20 x 1-1/4" screws to mount grab bar on wall of shower stall


Dimensions



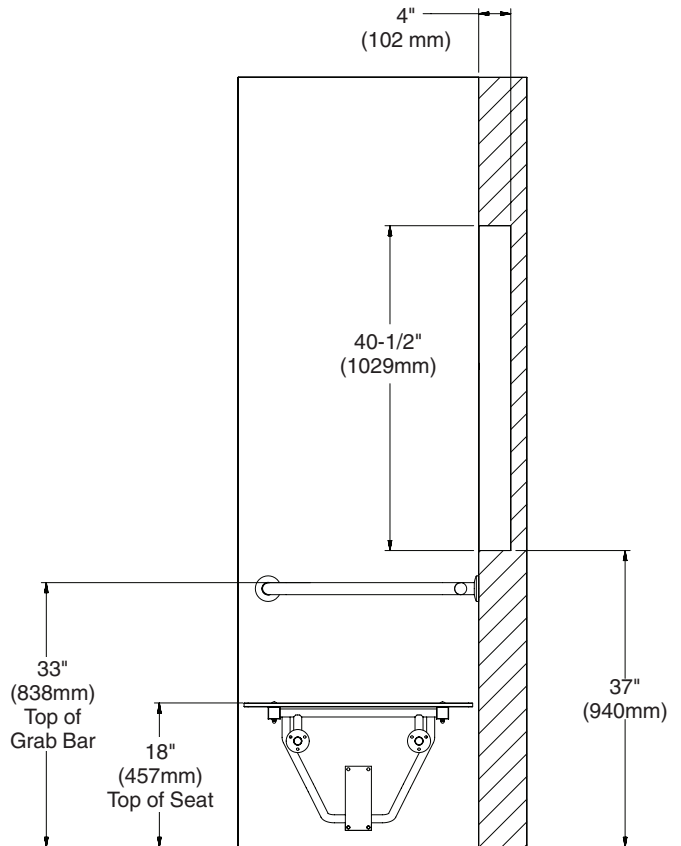
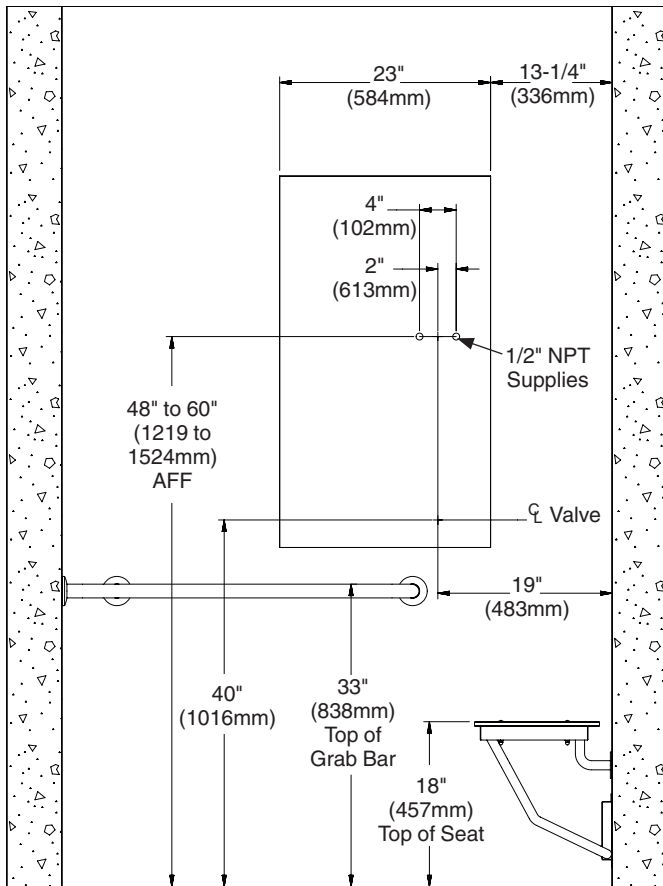
1 Rough-in (as viewed from front)

 Flush supply lines before making connections.

 When facing the wall, the supply pipe to the left of the centerline is HOT.

 Install the supply inlets no lower than 48" (1219mm) and no higher than 60" (1524mm).

A Rough-in 1/2" IPS hot and cold water supply piping for Equa-Flo valve at dimensions shown (piping supplied by installer)



2 Install Shower and Grab Bar



It is the installer's responsibility to use the correct anchors for the particular job's wall construction.

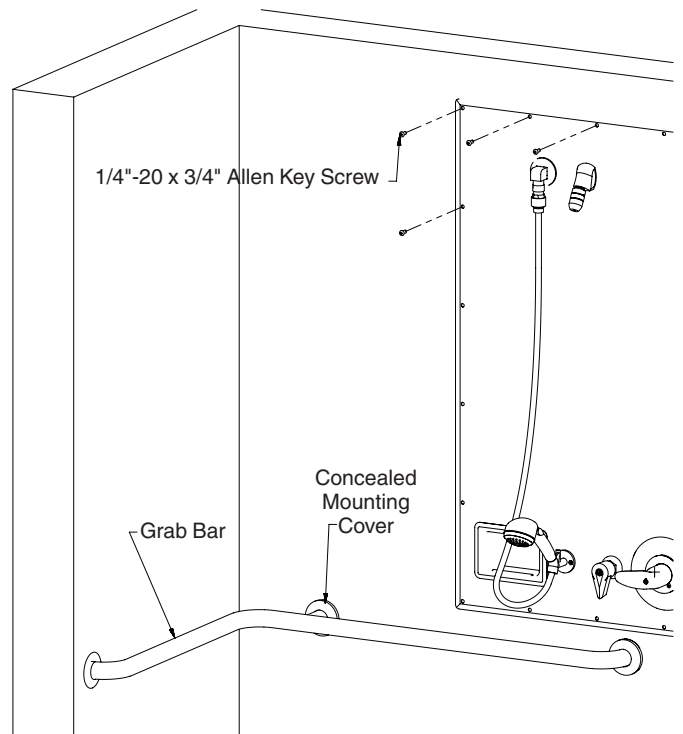
A Position the face plate on the wall. Mark the wall and install (18) wall anchors suitable for use with 1/4"-20 machine screws.

B Connect stainless steel hoses to the 1/2" IPS for the hot and cold water supply.

C Attach the face plate to the wall with the (18) 1/4"-20 x 3/4" button head Allen key screws provided.

D Position the "L" of the grab bar to fit the back wall of the shower stall. Using the flange as a template, mark the wall and install the (6) wall anchors (supplied by installer) for the 1/4"-20 x 1-1/4" flat head Allen key screws.

E Secure the grab bar to the (6) wall anchors using the (6) 1/4"-20 x 1-1/4" flat head Allen key screws provided.



3 Install Curtain Rod

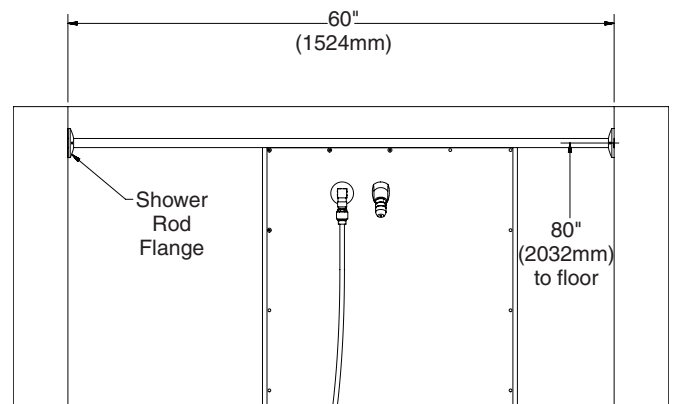
A Measure and cut the stainless steel curtain rod to fit the shower stall opening.

B Using (2) #10-13 x 2" Phillips oval screws, mount one shower rod flange 80" (2032mm) from the floor as close to the opening of the shower stall as possible.

C Insert one end of the shower rod into the flange. Slide the other shower rod flange onto the shower rod.

D Position the shower rod and flange on the opposite side of the shower stall opening at the same dimensions as the other flange. Secure the flange to the wall with (2) #10-13 x 2" Phillip head screws provided.

E Install ten hooks onto the curtain rod and hang the curtain on the rod.



Cleaning and maintenance instructions for stainless steel

Material Description: Stainless steel is extremely durable, and maintenance is simple and inexpensive. Proper care, particularly under corrosive conditions, is essential. Always start with the simplest solution and work your way toward the more complicated.

Routine cleaning: Daily or as often as needed use a solution of warm water and soap, detergent, or ammonia. Apply the cleaning solution per the manufacturer's instructions and always use a soft cloth or sponge to avoid damaging the finish.

Stubborn Stains: To remove stains from stainless steel use a stainless steel cleaner and polish such as Ball® stainless steel cleaner or a soft abrasive. Always follow the manufacturer's instructions and apply in the same direction as the polish lines.

CAUTION! Never use ordinary steel wool or steel brushes on stainless steel. Always use stainless steel wool or stainless steel brushes.

Special Situations for Material

Fingerprints and Smears: To remove fingerprints or smears use a high quality stainless steel cleaner and polish in accordance with the manufacturer's instructions. Many of these products leave a protective coating that helps prevent future smears and fingerprints.

Grease and Oil : To remove grease and oil use a quality commercial detergent or caustic cleaner. Apply in accordance to the manufacturer's instructions and in the direction of the polish lines.

Precautions: Avoid prolonged contact with chlorides (bleaches, salts), bromides (sanitizing agents), thiocyanates (pesticides, photography chemicals, and some foods), and iodides on stainless steel equipment, especially if acid conditions exist.

CAUTION! Do not permit salty solutions to evaporate and dry on stainless steel.

The appearance of rust streaks on stainless steel leads to the belief that the stainless steel is rusting. Look for the actual source of the rust in some iron or steel particles which may be touching, but not actually a part of the stainless steel structure.

NOTE: Strongly acidic or caustic cleaners may attack the steel, causing a reddish film to appear. The use of these cleaners should be avoided.

Brand Names: Use of brand names is intended only to indicate a type of cleaner. This does not constitute an endorsement, nor does the omission of any brand name cleaner imply its inadequacy. Many products named are regional in distribution, and can be found in local supermarkets, department and hardware stores, or through your cleaning service. It is emphasized that all products should be used in strict accordance with package instructions.

Shower Curtain Repair Parts

Part No	Qty	Description
151-001	10	Curtain hooks
113-313A	1	Curtain Rod
150-157	2	Shower Rod Flange
269-373	4	#10-13 x 2" Phillips Head Screw
170-006	1	Shower Curtain