



Model 5426-11 — Surface-Mounted *Bradex*[®]

- Coreless Jumbo Dual Roll Tissue Dispenser

Product Materials

CABINET: 22 gauge stainless steel with exposed surfaces in architectural satin finish. Welded construction with burr-free edges. Furnished with refill-indicator viewing slots.

Capacity

Toilet Tissue Dispensers-Two coreless jumbo toilet tissue rolls with a maximum diameter of 9" and a width of 3-3/4". Refill indicator slot reveals tissue level.

Operation

Insert toilet paper by lining up the center of the roll with indicator slots and push the coreless rolls up inside the cavity.

Installation

Verify all rough-in dimensions prior to installation. Secure with mounting screws (not included) at holes provided.

Guide Specification

Surface mount unit shall include dual jumbo coreless toilet tissue dispenser and be fabricated of stainless steel with seamless exposed surfaces in satin finish. Shall be constructed of 22 gauge SS and have a refill indicator viewing slot.

Overall dimensions: 21" W x 6" H x 6-3/16" D.

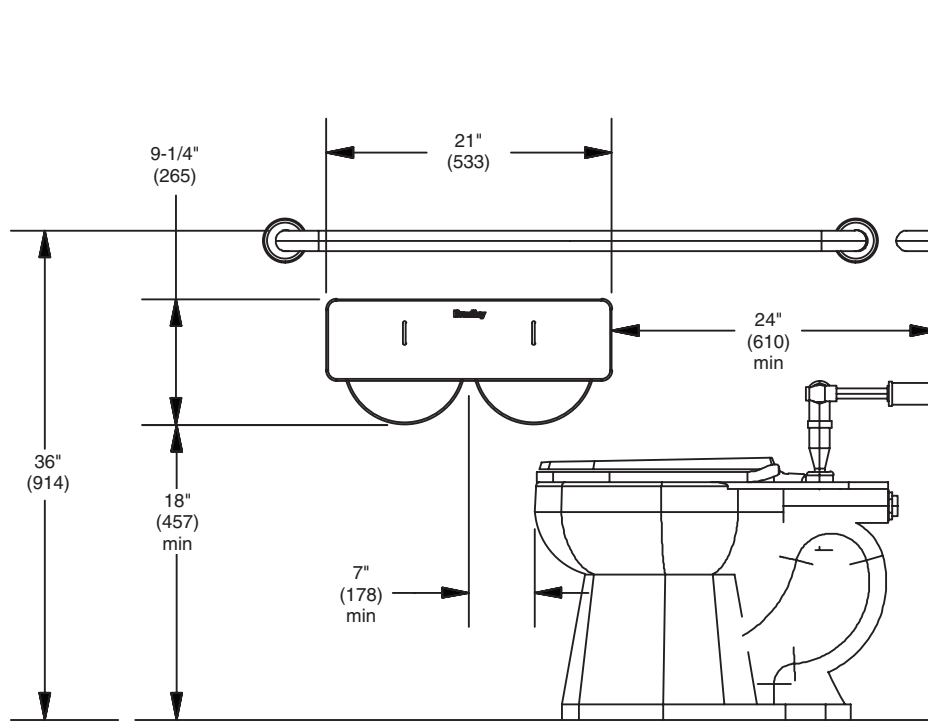
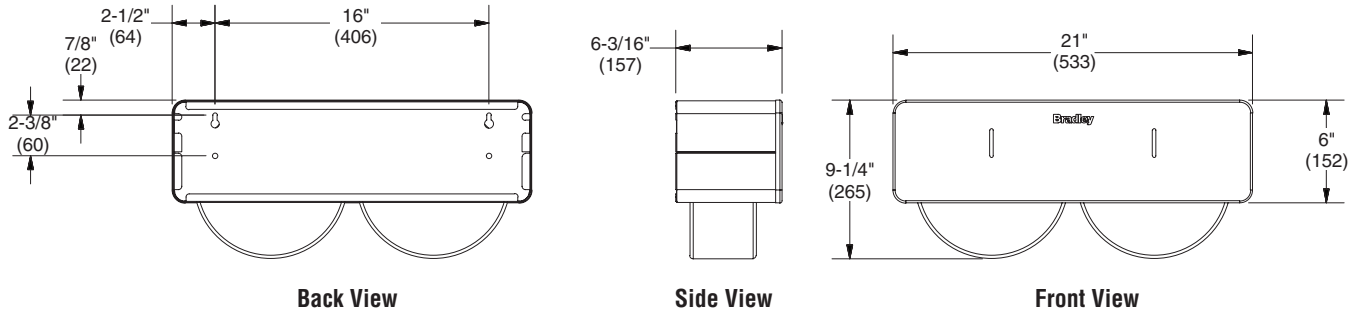


 **ADA Compliant**

- Consult local and national accessibility codes for proper installation guidelines.
- Conformity and compliance to local and national codes is the responsibility of the installer.



Dimensions (mm)



Grab bars must be ordered separately. To learn more about Bradley's wide variety of grab bar configurations, visit bradleycorp.com.