



# 2923-28W, 2923-2874, 2923-28B

High Speed Surface-Mounted ADA Compliant Hand Dryer

Recommended for very high traffic areas.

Standard Model 2923-28W000 (aluminum-white epoxy) **Bradex**<sup>®</sup>

Standard Model 2923-287400 (stainless steel-satin finish) **Bradex**<sup>®</sup>

Standard Model 2923-28B000 (aluminum-black epoxy) **Bradex**<sup>®</sup>



## Product Materials

**2923-28W COVER:** 1/8" (3 mm) thick one-piece aluminum; white epoxy finish.

**2923-2874 COVER:** 1/16" (2 mm) thick one-piece stainless steel; satin finish.

**2923-28B COVER:** 1/8" (3 mm) thick one-piece aluminum; black epoxy finish.

Cover fixed to the base plate with vandal-proof lock screws and lock with special key wrench.

**MOTOR:** High pressure universal brush (31,000 RPM). Motor shall have replaceable brushes for extending service life.

**HEATING ELEMENT:** Dryer will incorporate a nichrome wire heating element protected by an automatic resetting thermal cutoff.

**ADJUSTABLE SENSOR OPERATION:** Dryer shall be activated by an automatic infrared sensor with a 30 second vandal shut-off. Control board shall contain a HI/LOW speed control switch. Dryer shall provide an exit air temperature of 130°F at an ambient temperature of 70°F.

**BASE PLATE:** The Wall Mounting plate shall be constructed of die-cast aluminum finished with chrome plating.

## Installation

Verify all rough-in dimensions prior to installation. Hand dryers require a dedicated circuit with a minimum of 15 amps and must be properly grounded. GFI Circuit protection is recommended. One side of dryer should be mounted to a stud.

## Operation

Place hands 3"–6" below nozzle to activate air flow. Dryer will stop two seconds after hands are removed from air flow.

Description	Part Number
Top Entry Adapter Kit	P15-494

## Guide Specification

Surface-mounted hand dryer shall have an aluminum cover with a white epoxy finish (2923-28W), stainless steel cover with satin finish (2829-2874) or an aluminum cover with black epoxy finish (2923-28B). Hand dryer shall include a cast aluminum base and universal brush type motor (31,000 RPM). Dryer shall operate at 65 - 87 dB while delivering 64 CFM air flow velocity at 225 MPH (19,800 LFM). Dryer shall provide an exit ambient air temperature of 130°F at an ambient air temperature of 70°F. Dryer shall have global universal voltage, accepting 110-120/208/220-240 VAC input. Dryer shall have a total power of 950 watts with a consumption of 8.3 amps (120 V) and 2.0 to 5.6 amps (220 V).

**Overall dimensions:** 13-5/16"H x 11-5/8"W x 3-7/8"D (338mm x 295mm x 99mm).

**Weight:** White & Black = 11.9 lb (5.4 kg), Stainless = 13.4 lb (6.08 kg)

## Product Specifications

Voltage:	100–120 V, 208 V, 220–240 V	Consumption:	8.3 amps
Motor:	950 W	RPM:	31,000
Effective airflow:	64 CFM	Nominal airflow:	64 CFM
Noise level at 79":	65 - 87 dB	Airspeed:	19,800 LFM
Frequency:	60 Hz	Insulation:	Grounding required
Exit Air Temp :	130°F	Ambient Temp:	70°F
Drying time:	12 seconds	Certificates:	UL 499 & CAN/CSA E60335-2-23
Protection level:	IP24 Splash Protection	Mounting:	Surface-mounted, ADA compliant

Orders composed of products indicated as **Bradex**<sup>®</sup> will be available to ship in three days after receipt of order at the factory. There is no pricing penalty for this service from Bradley.

Page 1 of 2  
3/2/2017  
This information is subject to change without notice.  
Bradley\_HandDryer\_2923-28W\_2874\_28B

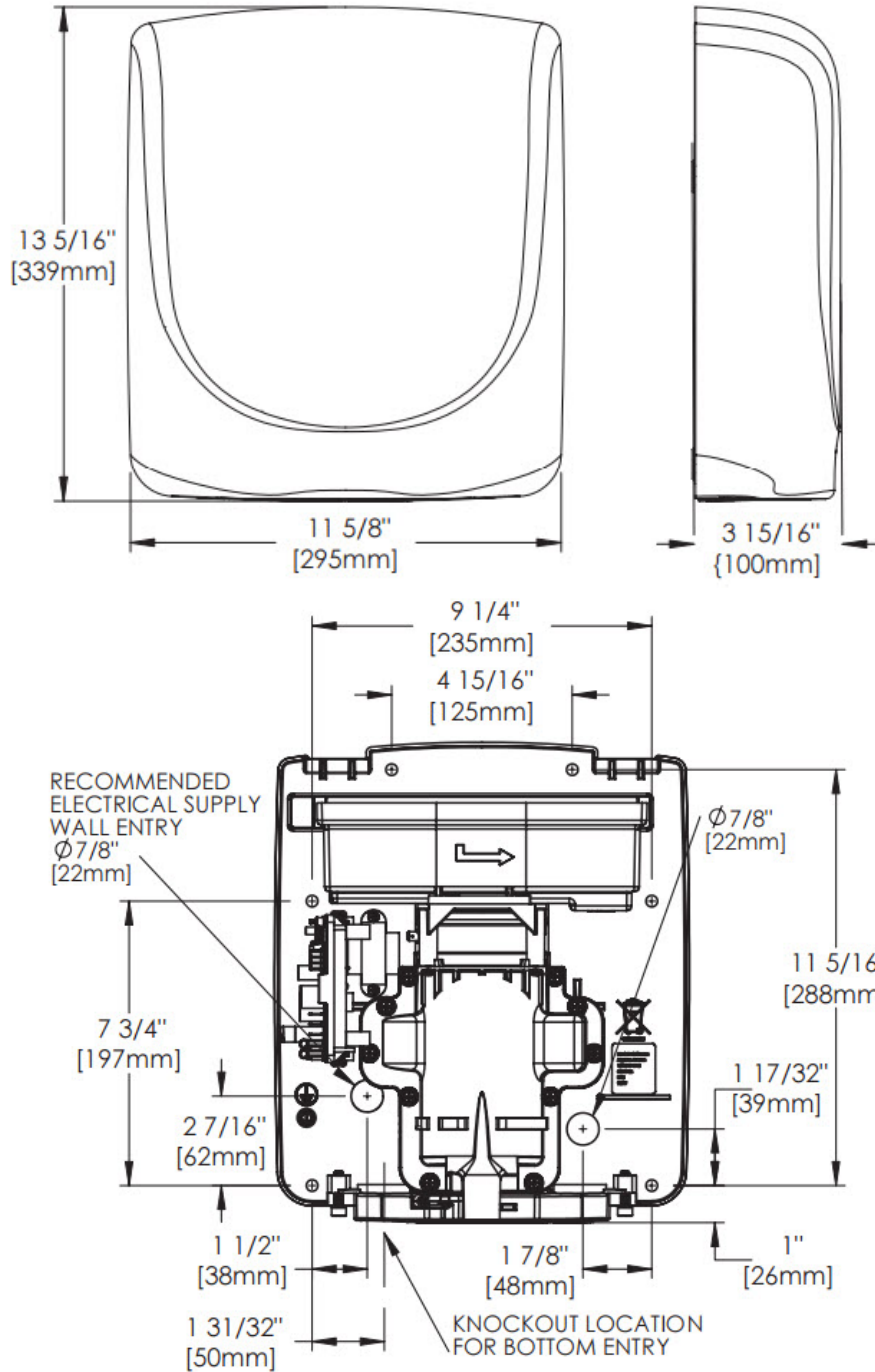
© 2017 Bradley  
P.O. Box 309, Menomonee Falls, WI 53052-0309  
800 BRADLEY (800 272 3539) +1 262 251 6000  
bradleycorp.com



# 2923-28W, 2923-2874, 2923-28B

High Speed Surface-Mounted ADA Compliant Hand Dryer

## Dimensions



Orders composed of products indicated as **Bradex**® will be available to ship in three days after receipt of order at the factory. There is no pricing penalty for this service from Bradley.

Page 2 of 2  
3/2/2017  
This information is subject to change without notice.  
Bradley\_HandDryer\_2923-28W\_2874\_28B

© 2017 Bradley  
P.O. Box 309, Menomonee Falls, WI 53052-0309  
800 BRADLEY (800 272 3539) +1 262 251 6000  
bradleycorp.com