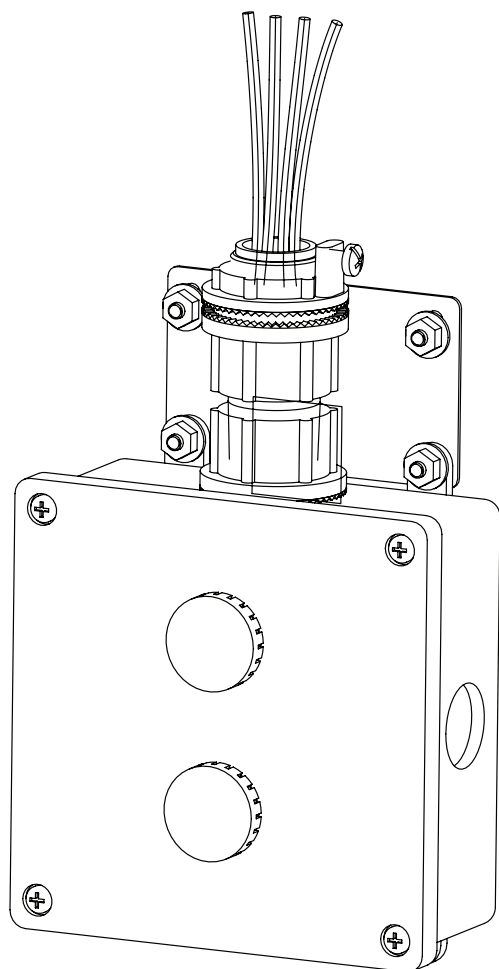


# Installation

**S19-889A (120V)**

**S19-889B (208/240V)**

**Type 4X (NEMA 4X) Indicator Light  
(General Area)**



## Table of Contents

Pre-Installation Information .....	2
Assembly of Components .....	4
Installation .....	5



## WARNING

Flush the water supply lines before beginning installation and after installation is complete. Test the unit for leaks and adequate water flow.

Main water supply to the unit should be "ON" at all times unless system is being serviced. Provisions shall be made to prevent unauthorized shutoff.

Power supplied to the unit should be 120VAC or 208-240VAC, 50-60 Hz, 15 amp branch circuit with a dedicated circuit breaker or fuse and should not supply power to any other device. Compliance and conformity to local codes and ordinances is the responsibility of the installer.

Do not use this safety equipment in a location that does not match its hazardous location rating. Verify the appropriate ratings prior to installation.

When making electrical connections be sure to follow all lockout-tagout safety procedures.

## CAUTION

Emergency equipment must be supplied with tepid water (60-100°F/15.6-37.8°C). Any prolonged exposure to near freezing water affects the body's ability to maintain body temperature, increasing the risk of hypothermia.

The unit must be supplied with clean, potable water.

## NOTICE

Before installing this product ensure that there are adequate clearances around the product and activation of the product does not interfere with other products or obstructions.

It is recommended that all water supply and electrical connections be made at temperatures above freezing. Failure to do so may result in major product and/or property damage.

Constant power supply to the safety equipment is necessary for it to function.

Avoid cleaners containing organic solvents, alcohols and hydrocarbons. Rinse with potable water after cleaning.

## IMPORTANT

The installation and location of all safety drench showers, eye and eye/face washes must comply with the requirements of ANSI/ISEA Z358.1.

Read this installation manual completely to ensure proper installation, then file it with the owner or maintenance department. Compliance and conformity to local codes and ordinances is the responsibility of the installer.

Separate parts from packaging and make sure all parts are accounted for before discarding any packaging material. If any parts are missing, do not begin installation until you obtain the missing parts.

Installation and maintenance of this system must be completed by a qualified plumber and electrician according to the information contained in this installation manual and in compliance with all national and local codes.

The ANSI/ISEA Z358.1 standard requires an uninterrupted supply of flushing fluid. Bradley plumbed emergency fixtures require a minimum of 30 PSI (0.21MPa) flowing pressure. Flushing should be tepid per ANSI Z358.1

Weekly activation must be conducted on all plumbed emergency equipment to ensure a suitable flushing fluid supply is present and any sediment build up in the supply line is cleared. Inspect safety equipment monthly to address any maintenance issues ensuring the equipment is in good operating condition and that there are no signs of wear.

Perform functional test upon relocation of safety equipment.

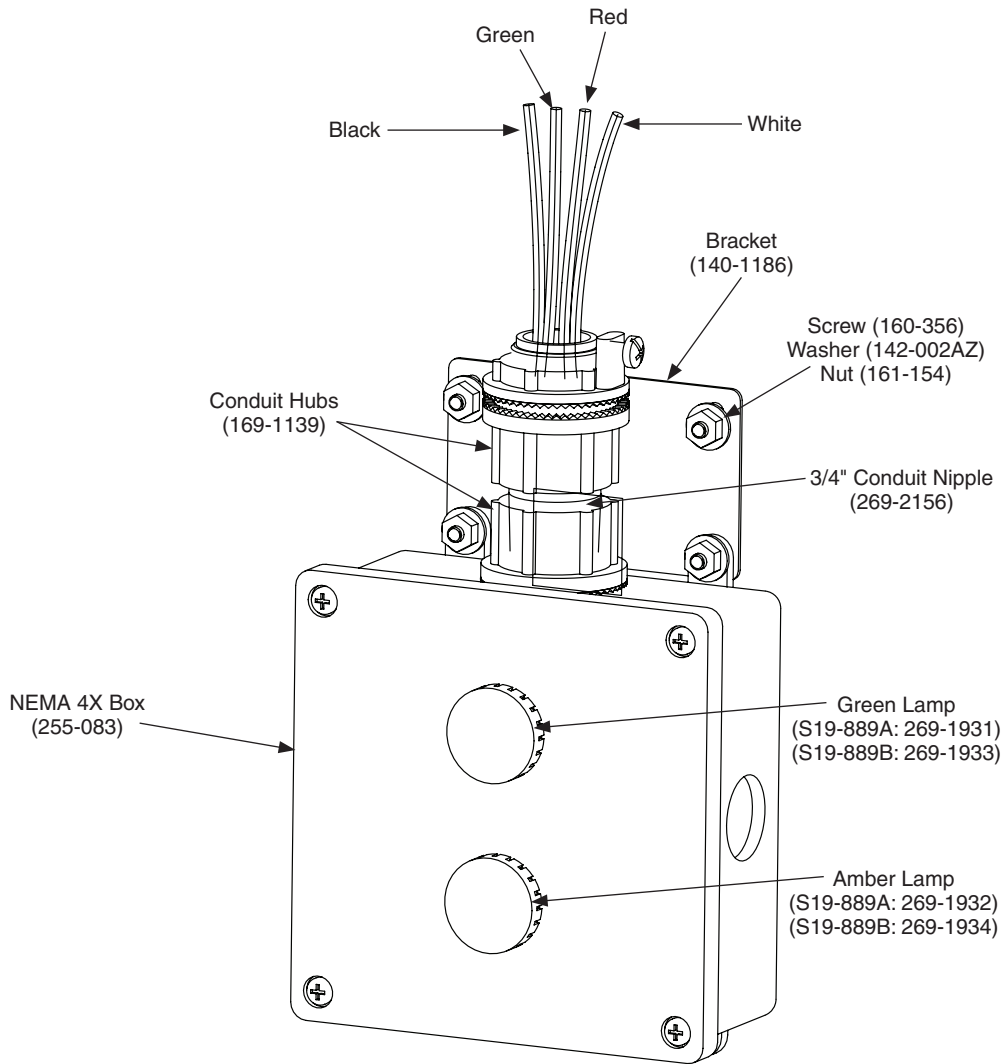
The inspection and testing results of this equipment should be recorded weekly to verify proper operation. This equipment should be inspected annually to ensure compliance with ANSI Z358.1.

Workers who may come in contact with potentially hazardous materials should be trained regarding the placement and proper operation of emergency equipment per ANSI/ISEA Z358.1.

For questions regarding the operation or installation of this product, visit [www.bradleycorp.com](http://www.bradleycorp.com) or call 800-BRADLEY (272.3539).

Product warranties and parts information may also be found under "Products" on our web site at [bradleycorp.com](http://bradleycorp.com).

# Assembly of Components



## NEMA 4X INDICATOR LIGHT S19-889A (120V) S19-889B (208/240V)

(suitable for General Area locations)

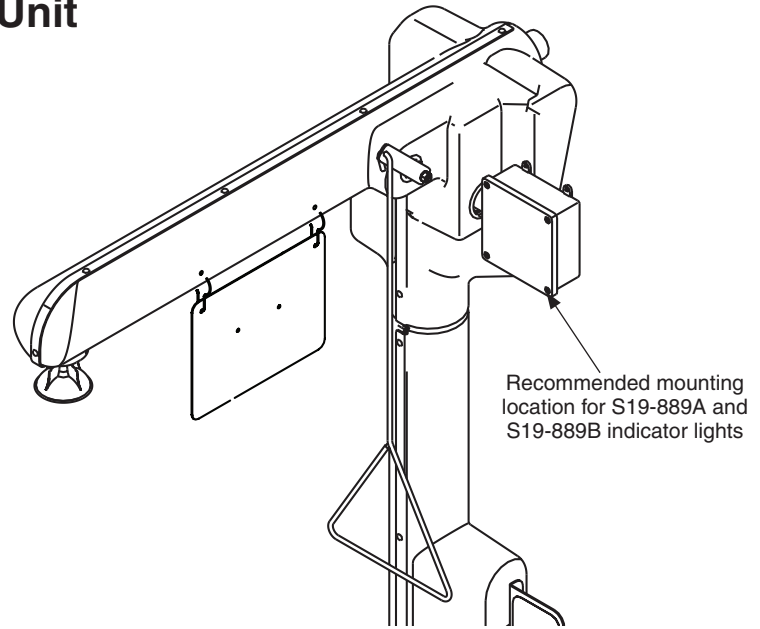
# Supplies Required

- Pipe sealant

## 1 Mount Indicator Light to Unit

**A** Choose a location for mounting the indicator light. The indicator light may be mounted directly to the junction box at the location shown below.

**B** Connect the indicator light to the junction box following the wiring diagram.



Wiring Diagram - S19-304GA with Options

AMBER LAMP = HEATER ON  
GREEN LAMP = POWER TO UNIT

